

Surge Protective and Standard AC Power Modules for Structured Media™ Centers

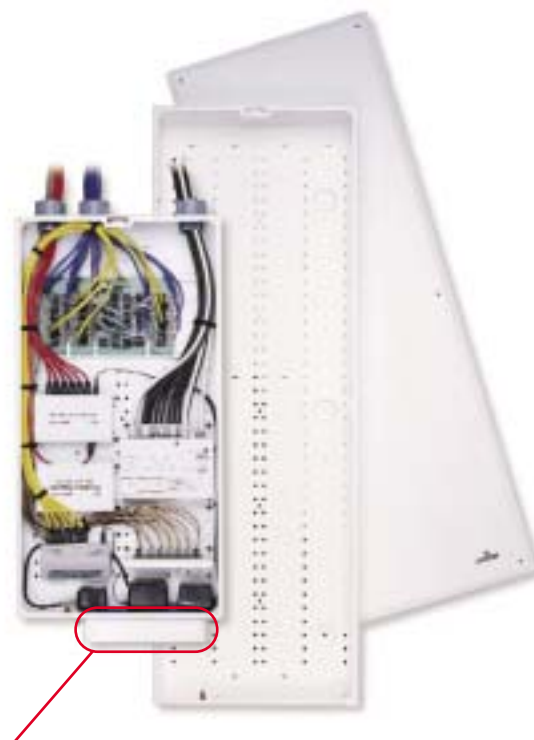
Definition:

AC Power Modules and J-Box Kits provide power to the distribution modules in the Series 140, 280 or 420 Structured Media Center (Series 140 SMC accepts J-Box kits only). The AC Power Modules feature two 15A-125V duplex receptacles and the J-Box Kits feature one receptacle. These devices are housed in a painted steel enclosure that drops into a knockout in the bottom of the SMC to increase space available inside the enclosure. For flexibility, both models are available with and without surge protection.

The Hospital grade surge-protected units provide multi-stage (L-N, L-G, N-G) protection and EMI/RFI filtering that meets UL 1449 standards. In extremely excessive surge conditions, an alarm will sound to warn the user that power is unprotected. The non-surge protected AC Power Module or J-Box Kit offers an economical method of providing power to distribution modules.

Features:

- Surge-protected units protect line-voltage modules contained in the Structured Media Center (SMC)
- Non-surge protected units offer an economical method of providing power to active components
- Available with one (J-Box Kits) or two (AC Power Modules) 15 Amp duplex receptacles
- Safety caps protect outlets against dust, dirt and debris
- One (J-Box kit) or two (AC Power Modules) cable knock-outs on bottom for power service connection
- Saves valuable real estate by mounting on outside of SMC's



Surge-protected AC power module shown in Structured Media Center series 280.

Sold by:

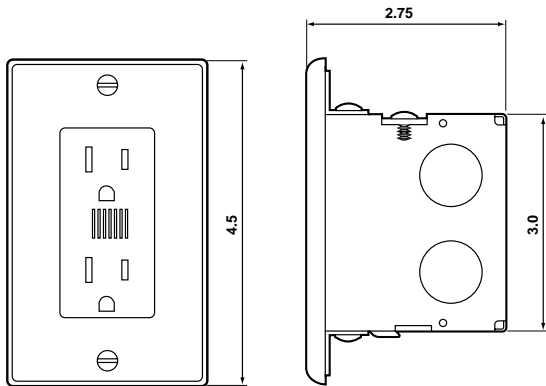


Product Specifications

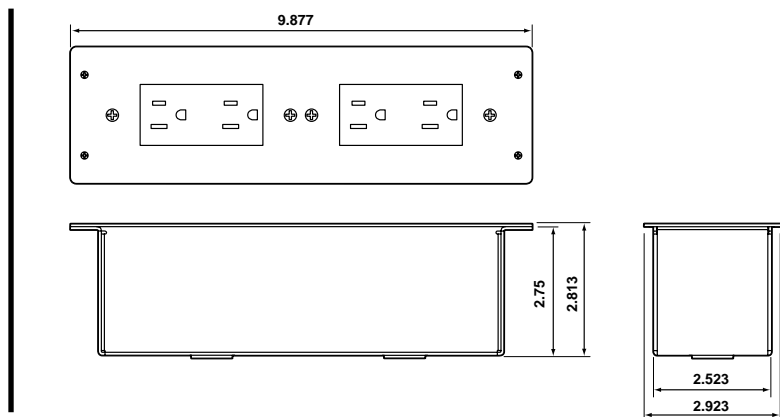
AC Power Modules (Two duplex 15A-125V NEMA 5-15R receptacles)	
Dimensions:	9.877"h x 2.923"w x 2.813"d
Standards Compliance (Surge model only):	UL 1449 (2nd Edition) Suppressed Voltage Rating (SVR) 6kV/500A impulse test (L-N): 400V Peak (L-G): 400V Peak (N-G): 400V Peak
Input:	2 @ 15 A-125VAC
J-Box Kits (One duplex 15A-125V NEMA 5-15R receptacle)	
Dimensions:	4.5"h x 3"w x 2.75"d
Standards Compliance (Surge model only):	UL 1449 (2nd Edition) Suppressed Voltage Rating (SVR) 6kV/500A impulse test (L-N): 400V Peak (L-G): 400V Peak (N-G): 400V Peak
Input:	1 @ 15 A-125VAC

Ordering Information

Description	Part Number
AC Power Surge Protective Module (Two duplex blue receptacles)	47605-DP
AC Power Module (Two duplex gray receptacles)	47605-NDP
J-Box Surge Protective Kit (One duplex blue receptacle)	47605-ACS
J-Box Kit (One duplex gray receptacle)	47605-ACN



Cat. Nos. 47605-ACS, 47605-ACN



Cat. Nos. 47605-DP, 47605-NDP



For more information, contact your Leviton representative or:

Leviton Manufacturing Co., Inc.
59-29 Little Neck Parkway, Little Neck, NY 11362-2591
Telephone: 718-281-6584 • FAX: 718-631-6551

Visit Leviton's Web site at: www.leviton.com

