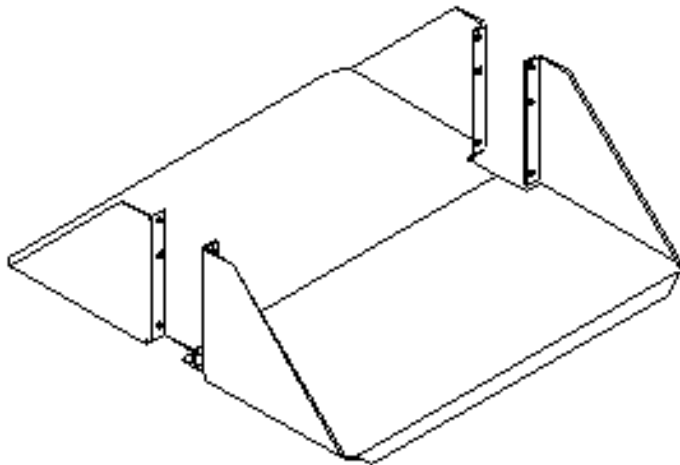


Double Sided Heavy Duty Rack Shelf



Features

- 19- or 23-inch relay rack mounting units
- Formed construction for strength
- Shelves are 10" deep each or 20" when mounted back to back
- 100 lbs weight capacity per shelf or 200 lbs total per set
- Choice of colors

Specifications

- Sturdy .090 aluminum formed construction
- Mounting holes on standard EIA spacing
- 100 lbs distributed weight capacity per shelf or 200 lbs total
- Colors available (Color code):

IBM White (W)
 ASA 61 Gray (G)
 Black (BLK)
 Clear Brushed (CLR)

Ordering Information

SWE2164	Shelf set 17¼" wide x 20" deep
SWE2164-23	Shelf set 21¼" wide x 20" deep

To order: Add color code to end of part number, e. g. SWE2164BLK

Copyright © 2004 Southwest Data Products

