

# Component Specifications



Part Number	
41291-*	41293-*
41292-*	41294-*

## QuickPort® Multimedia Outlet System (MOS)

### Connector Inserts

#### APPLICATION

For configuring UTP, STP (for IEEE 802.5 opening only), and fiber optic connectivity in the QuickPort® Multimedia Outlet System. All MOS inserts snap into MOS wallplates and surface-mount housings from the front.

#### STANDARDS COMPLIANCE

Meets all applicable standards: UL 1863 specifications (listing pending). TIA/EIA-568-B compliant; meets FCC Part 68.

#### PHYSICAL SPECIFICATIONS

Materials: Self-extinguishing plastic rated UL94V-0.  
 ST® couplings available with ceramic or metal sleeve.  
 SC couplings available with ceramic or metal sleeve.  
 FC couplings available with ceramic or metal sleeve.  
 Couplings: ST couplings are multimode/singlemode rated.  
 SC couplings are multimode/singlemode rated.  
 FC couplings are multimode/singlemode rated.

#### DESIGN CONSIDERATIONS

- Inserts fit QuickPort MOS housings and wallplates only. Simplex QuickPort modules also fit MOS housings if the 2-Port QuickPort Module Adapter Insert is used.
- Use angled coupling or connector inserts when a low profile exit is desired.
- Place angled outlets on bottom of plate configuration to allow cable clearance at top of wall opening.

#### UNIQUE FEATURES

- Adapter Insert accepts all existing QuickPort simplex snap-in connectors, fiber and coaxial bulkhead modules.
- Inserts load into housings from the front.

#### INSTALLATION NOTES

- Inserts latch into MOS housings from the front, and are removed by a screwdriver in the side slot.
- 2-Port adapter accepts existing QuickPort simplex snap-in modules.
- For port ID, different colored connector modules may be used, or paper fillers in ID windows can be used.
- Put blanks in unused ports to allow future outlet expansion.

#### WARRANTY INFORMATION

- One-year limited product warranty and 15-year performance guarantee are standard.
- Product and performance warranties are extended to a Lifetime as part of Leviton's Certified Cabling System.

See ELECTRONIC FILES for CAD files (.DXF, .DWG, MS-DOS.EPS) on disk

	<p><b>1-unit high inserts</b></p> <ul style="list-style-type: none"> <li>• QuickPort® simplex module adapter</li> <li>• 2 SC couplings</li> <li>• 2 ST couplings</li> <li>• 2 FC couplings</li> </ul> <p>Not shown:</p> <ul style="list-style-type: none"> <li>• Blank</li> <li>• S-Video</li> <li>• RCA's</li> </ul>
	<p><b>1.5-unit high inserts</b></p> <ul style="list-style-type: none"> <li>• 45° QuickPort® simplex module adapter</li> <li>• 45° Angled Duplex SC couplings</li> <li>• 45° Angled Duplex ST couplings</li> <li>• 45° Angled Duplex FC couplings.</li> </ul> <p>Not shown:</p> <ul style="list-style-type: none"> <li>• Blank</li> </ul>
	<p><b>2-unit high inserts</b></p> <ul style="list-style-type: none"> <li>• 45° Angled Duplex SC coupling</li> <li>• 45° Angled Duplex ST coupling</li> <li>• 45° Angled Duplex FC coupling</li> </ul> <p>Not shown:</p> <ul style="list-style-type: none"> <li>• IEEE 802.5 connector opening</li> <li>• Blank</li> </ul>
	<p><b>3-unit high inserts</b></p> <ul style="list-style-type: none"> <li>• 45° Angled 4 SC couplings</li> <li>• 45° Angled 4 ST couplings</li> <li>• 45° Angled FC couplings</li> </ul>

For ELECTRONIC Typical Specs see (.TXT) file on disk.

#### TYPICAL SPECIFICATION

The outlet connector inserts shall comply with UL 1863 and TIA/EIA-568-B requirements. It shall be made of self-extinguishing plastic rated UL94V-0. Inserts shall be type SC, FC or ST® with metal or ceramic sleeve for multimode and singlemode application. Inserts must be capable of interchangeable mounting between various multimedia surface- and flush-mount outlets, and must provide an adapter insert which is capable of housing 1-2 individual QuickPort® snap-in connectors and modules. Inserts must be capable of maintaining a minimum cable bend radius within the area of minimum NEMA box enclosures. The manufacturer shall provide a one-year limited product warranty and 15- year product performance guarantee. The manufacturer shall provide a lifetime warranty against defects in material and workmanship, and an application guarantee when installed as part of a certified system.



For Applications Engineering Support – Call 1-425-485-4288; in USA call 1-800-722-2082  
 Spec sheets and updates are also available at [www.levitonvoicedata.com](http://www.levitonvoicedata.com).



QuickPort® Multimedia Outlet System (MOS)

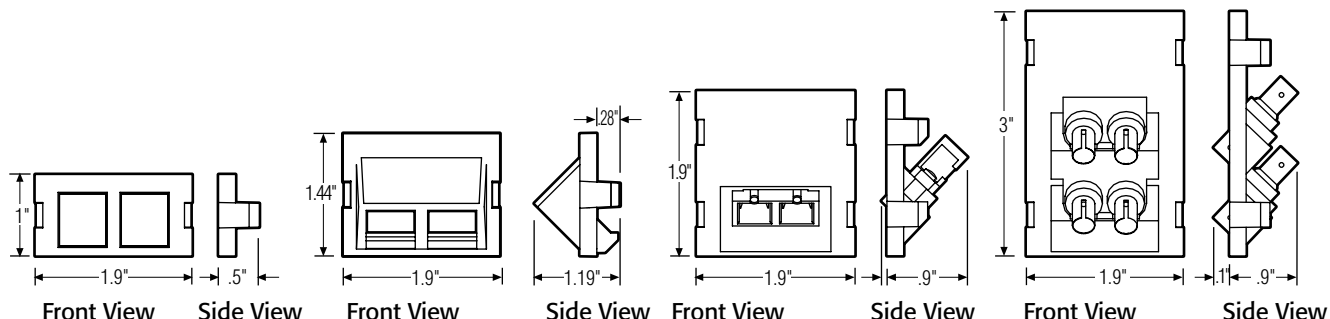
# QuickPort® Multimedia Outlet System (MOS)

## Part Number

41291-\*    41293-\*  
41292-\*    41294-\*  
.....

### DIMENSIONAL LINE ART

See ELECTRONIC FILES for CAD images  
(.DXF, .DWG, MS-DOS.EPS)



### ORDERING INFORMATION

#### QuickPort® Multimedia Outlet System Inserts

\*= color    Inserts below available in Ivory (I), White (W), Grey (G), Black (E).

SC Coupling Inserts	Part No.
1 Duplex SC Coupling, Ceramic, SM/MM (1 Unit High)	41291-2C*
1 Duplex SC Coupling, Metal, SM/MM (1 Unit High)	41291-2PC
1 Duplex SC Coupling, Ceramic, SM/MM 45° Exit (1.5 Unit High)	41294-2C*
1 Duplex SC Coupling, Metal, SM/MM 45° Exit (1.5 Unit High)	41294-PC
1 Duplex SC Coupling, Ceramic, SM/MM 45° Exit (2 Unit High)	41292-2C*
1 Duplex SC Coupling, Metal, SM/MM 45° Exit (2 Unit High)	41292-PC
1 Duplex SC Coupling, Ceramic, SM/MM 45° Exit (3 Unit High)	41293-4C*
1 Duplex SC Coupling, Metal, SM/MM 45° Exit (3 Unit High)	41293-PC*

ST Coupling Inserts	Part No.
2 ST Couplings, Metal, SM/MM (1 Unit High)	41291-2T*
2 ST Couplings, Metal, SM/MM (1.5 Unit High)	41294-2T*
2 ST Couplings, Metal, SM/MM (2 Unit High)	41292-2T*
2 ST Couplings, Metal, SM/MM (3 Unit High)	41293-4T*

FC Coupling Inserts	Part No.
1 Duplex FC, Zirconia Sleeve (1 unit high) MOS	41291-ZF*
1 Duplex FC, phos. bronze sleeve (1 unit high) MOS	41291-PF*
1 Duplex FC, 45 degree exit, zirconia sleeve (1.5 units high)	41294-PF*
1 Duplex FC, 45 degree exit, phos. bronze sleeve (1.5 units high)	41294-PF*
1 Duplex FC, 45 degree exit, zirconia sleeve (2 units high)	41292-ZF*
1 Duplex FC, 45 degree exit, phos. bronze sleeve (2 units high)	41292-PF*
1 Dual Duplex FC, 45 degree exit, ceramic sleeve (3 units high)	41293-ZF*
1 Dual Duplex FC, 45 degree exit, phos. bronze sleeve (3 units high)	41293-PF*

ST® Coupling Inserts	Part No.
1 Duplex ST, Zirconia Sleeve (1 unit high) MOS	41291-ZT*
1 Duplex ST, 45 degree exit, zirconia sleeve (1.5 units high)	41294-ZT*
1 Duplex ST, 45 degree exit, zirconia sleeve (2 units high)	41292-ZT*
1 Dual Duplex ST, 45 degree exit, zirconia sleeve (3 units high)	41293-ZT*

Blank Inserts	Part No.
Blank Module (1 Unit High)	41291-1B*
Blank Module (1.5 Unit High)	41294-2B*
Blank Module (2 Unit High)	41292-2B*

### QuickPort® Simplex Snap-In Modules

For use in MOS 2-Port Adapter

802.5 Connector Opening Inserts	Part No.
QuickPort® Module Adapter (1 Unit High)	41291-2Q*
QuickPort® Module Adapter (1.5 Unit High)	41294-2Q*

802.5 Connector Opening Inserts	Part No.
S-Video (1 Unit High)	41291-1V*
Dual RCA (1 Unit High)	41291-1R*

Note: Multimedia Outlet System housings & Inserts are sold separately.

\*Call for lead times on FDDI and 802.5 inserts.



For Applications Engineering Support – Call 1-425-485-4288; in USA call 1-800-722-2082.  
Spec sheets and updates are also available at [www.levitonvoicedata.com](http://www.levitonvoicedata.com).



2222 – 222nd St. SE • Bothell, WA 98021 USA • Tel: 1-800-722-2082 / 1-425-485-4288 • Fax: 1-425-483-5270 • Int'l Fax: 1-425-485-9170 • GSA# GS-35F-4785G