



www.middleatlantic.com
www.datatelracks.com

DWR Series Sectional Wall Rack



The DWR Series 19" sectional wall rack enclosures
Broadest range of sizes available, with outstanding cable lacing features

Features

- 16-gauge steel construction with 1/8" thick laser-cut corner braces
- UL Listed
- Adjustable front rackrail, rear rackrail optional
- Center section hinges for left or right opening
- 1/2", 3/4", 1" & 1-1/2" electrical knockouts and 5/8" UHF/VHF antenna knockouts (top knockout plate only) on plates top & bottom, easily removable for cable pass-through
- 12-1/2" x 12-1/2" laser knockout opening in the backpan for electrical pullbox
- Laser knockouts in the center section, top and bottom, accommodate four 4-1/2" fans
- Padlockable draw-latch plus keylock in center section
- Rear lock keyed differently from optional front door lock
- Abundant internal cable tie points
- Durable black textured powder coat finish



DWR-24-22
(shown with optional
vented front door)

Wall Rack Accessories

COPPER BUSS BAR
REAR RAIL KIT
UNIVERSAL FRONT DOORS
WRINKLE TOUCH-UP PAINT

for details- see the universal cabinet
options pages of the Master catalog

Architects' and Engineers' Specifications

EIA compliant 19" wall-mount rack shall be Middle Atlantic Products / Datatel model # DWR-____. Part number shall be suffixed with 'PD' to indicate that the rack shall ship assembled with locking plexiglass door pre-installed. Overall dimensions shall be 23.4" W x ____" H x ____" D (refer to chart). Weight capacity shall be ____ lbs. (refer to chart). Center section and backpan shall be 16-gauge steel, phosphate pre-treated and finished in black powder coat. Rackrail shall be constructed of 11-gauge steel with tapped 10-32 mounting holes in universal EIA spacing with black e-coat finish and marked rackspace. Rack shall be constructed to swing open for component cabling access, center section shall pivot for either left or right opening. Backpan shall be fitted with factory installed lock and latch capable of accepting padlock. Rack shall have a removable knockout panel with 1/2", 3/4", 1", and 1-1/2" electrical knockouts installed in bottom of backpan, and a removable rear knockout panel with 1/2", 3/4", 1", and 1-1/2" electrical knockouts, and BNC knockouts for UHF/VHF antennas installed in top of backpan. Large laser knockout on backpan shall have a 12-1/2" x 12-1/2" opening for cable pass-through. Fan knockouts on top and bottom shall allow for installation of up to four 4-1/2" fans. Top, bottom and sides shall feature vertical vent pattern. Rack shall be UL listed in the US and Canada.

WEIGHT CAPACITIES

DWR-35-XX & DWR-24-XX	300 pounds
DWR-21-XX & DWR-18-XX	200 pounds
DWR-16-XX, DWR-12-XX & DWR-10-XX	150 pounds

OPTIONS

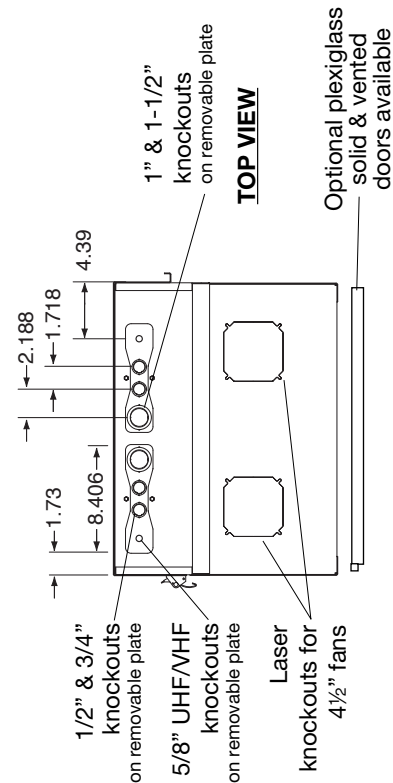
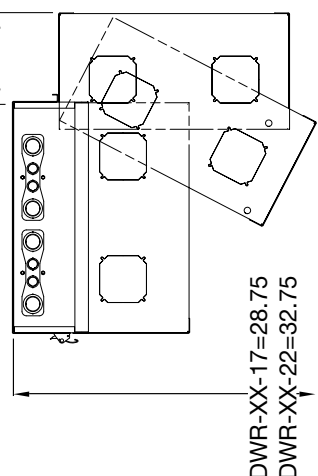
- Front doors - shall be of 16-gauge steel, part # FD-XX(solid), VFD-XX(vented), PFD-XX(plexi), (XX=# of rack spaces of DWR rack)
- Keyless Latch - replaces keylock, fits front & rear doors, part # LATCH
- Rear rail kit - 11-gauge, 10-32 threaded, sold in pairs, hardware included, Part # DWR-RRXX



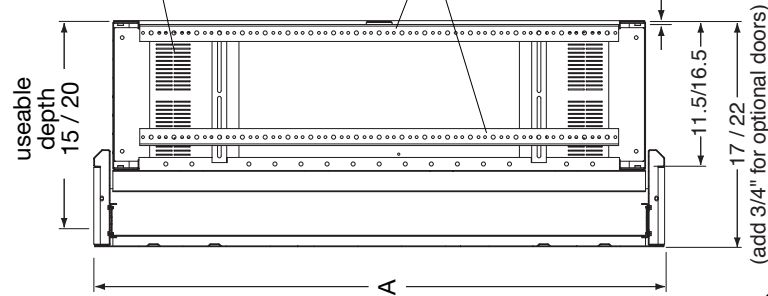
Engineered Mounting Solutions for Low Voltage Applications

DWR Series Basic Dimensions

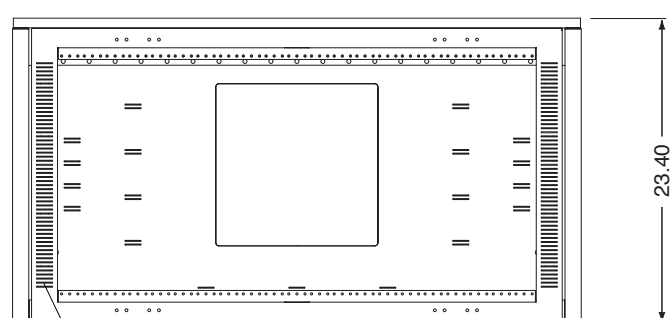
CENTER SECTION CLEARANCE



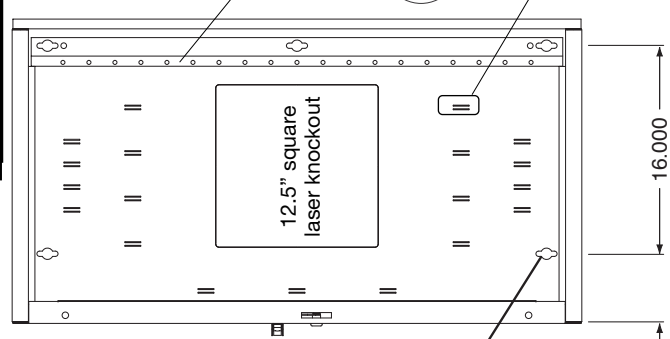
TOP VIEW



SIDE VIEW

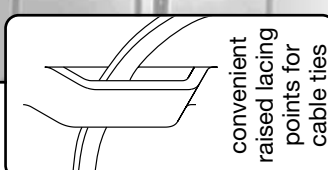


FRONT VIEW, CENTER SECTION



FRONT VIEW, BACKPAN

"Z" profile cable lacing bar, also provides convenient mounting for power strips, etc.



* Available preconfigured with plexi door, add PD to part number to order with door

PART #	RACKING HEIGHT / RACKSPACES	"A" OVERALL HEIGHT	WEIGHT CAPACITY
DWR-10-17*	17.50 / 10 SP	24.563	150 lbs.
DWR-10-22*	17.50 / 10 SP	24.563	150 lbs.
DWR-12-17	21.00 / 12 SP	28.063	150 lbs.
DWR-12-22	21.00 / 12 SP	28.063	150 lbs.
DWR-16-17*	28.00 / 16 SP	35.063	150 lbs.
DWR-16-22*	28.00 / 16 SP	35.063	150 lbs.
DWR-18-17	31.50 / 18 SP	38.563	200 lbs.
DWR-18-22	31.50 / 18 SP	38.563	200 lbs.
DWR-21-17*	36.75 / 21 SP	43.813	200 lbs.
DWR-21-22*	36.75 / 21 SP	43.813	200 lbs.
DWR-24-17*	42.00 / 24 SP	49.063	300 lbs.
DWR-24-22*	42.00 / 24 SP	49.063	300 lbs.
DWR-35-17	61.25 / 35 SP	68.313	300 lbs.
DWR-35-22*	61.25 / 35 SP	68.313	300 lbs.

