

Audio/Video Distribution

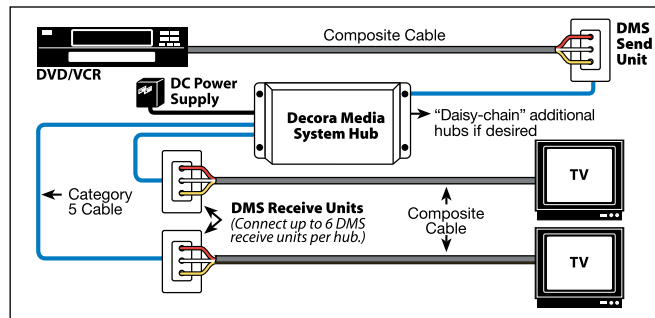
Decora Media™ System

Distribute audio and video signals anywhere in the home using Category 5 cable and Leviton's Decora Media System (DMS). Send VCR, DVD library, CD, MP3 and Internet radio signals through up to 1,000 feet (300 meters) of cable with no discernible audio or video distortion and better performance than the more expensive, specialized "designer" cables.

DMS is comprised of: a Send Unit for transmitting audio/video signals, a Receive Unit for receiving signals and a Media Hub for whole house distribution.

The DMS utilizes advanced active electronics to operate with several different topologies: a star wiring scheme, with peripheral components sending and receiving critical information via Send and Receive units and the centralized data-communications hub; a Hub-to-Receive model, where information is sent to the hub—and from the hub to remote Receive units; and a Point-to-Point model, where Send and Receive units are linked directly together.

Send and receive units run on 12VDC, hub runs on 15VDC and can be powered independently or through the Media Hub.



FEATURES AND BENEFITS

- Panel can be attached vertically or horizontally in Structured Media Enclosures.
- Cascade hub units to distribute audio/video signals to over 20 locations.
- Send and Receive units are equipped with RJ-45 jacks and 110 punchdown blocks for maximum flexibility in installation.
- Composite RCA inputs for connectivity directly from A/V source.
- Send and Receive units fit standard wallboxes and Decora wallplates.
- Advanced circuitry with automatic equalization streams analog audio and video signals over long distances with less distortion.
- Stereo audio input/output handles Dolby® ProLogic™ surround signals.
- Send VCR, DVD, cable TV, satellite and security camera signals through Category 5 cable.
- RJ-45 input for Send unit.

Decora Media™ System

SPECIFICATIONS	SEND UNIT	RECEIVE UNIT	MEDIA HUB
Dimensions:	4.1"H.x 1.4"W.x 2.0"D.	4.1"H.x 1.4"W.x 2.0"D.	6.5"H.x 3.4"W.x
Video Bandwidth:	50 M Hz @ -3 dB	50 M Hz @ -3 dB	50 M Hz @ -3 dB
Video THD:	75 dBc	-75 dBc	-75 dBc
Video Input:	—	0.5V to 2V composite	0.5V to 2V composite
Video Output:	0.5V to 2V composite	—	—
Slew Rate:	800/Vus	800/Vus	800/Vus
Audio Input Impedance:	—	20k Ohms, max 3Vp-p	20k Ohms, max 3Vp-p
Audio Output Impedance:	51 Ohms, max 2Vp-p	—	—
Audio Freq. Response:	5 Hz-100k Hz, ±3 dB	5 Hz-100k Hz, ±3 dB	5 Hz-100k Hz, ±3 dB
Audio THD:	0.002% 20 Hz-20k Hz	0.004% 20 Hz-20k Hz	0.002% 20 Hz-20k Hz
Audio S/N Ratio:	100 dB typical, 80 dB min 20 Hz-20k Hz	100 dB typical, 80 dB min 20 Hz-20k Hz	100 dB typical, 80 dB min 20 Hz-20k Hz
Input Noise:	4.5nV/(Hz), 1/2 typical @ 1k Hz	6nV/(Hz), 1/2 typical @ 1k Hz	4.5nV/(Hz), 1/2 typical @ 1k Hz
Input and Outputs:	3 RCA input jacks 1 set RJ-45 in/out jacks 1 110 punchdown out 1 DC power input	3 RCA output jacks 1 set RJ-45 in/out jacks 1 110 punchdown out 1 DC power input	3 RCA input jacks 1 RJ-45 input jack 6 RJ-45 output jacks 1 DC power input
Power:	12VDC	12VDC	15VDC

Decora Media™ System

CAT NO.	DESCRIPTION
48210-MCH	Decora Media System Media Hub with Power Supply
48210-SRU	Decora Media System Send and Receive Unit Pair with Power Supply
48210-MSU	Decora Media System Send Unit with Power Supply
48210-MRU	Decora Media System Receive Unit



Decora Media™ System

APPLICATION

Decora Media™ System is comprised of: a Send Unit for transmitting audio/video signals, a Receive Unit for receiving signals, and a Media Hub for whole house distribution. The system distributes audio and video signals through the home using a Category 5/5e cable.

STANDARDS COMPLIANCE

Shall meet or exceed industry standards: UL Listed # 1863.

FEATURES

- Media Hub can be attached vertically or horizontally in SMC enclosures.
- Cascade hub units to distribute audio/video signals to over 20 locations.
- Send and Receive Units are equipped with RJ-45 jacks and 110 punchdown blocks for maximum flexibility in installation.
- Composite RCA inputs for connectivity directly from A/V source.
- Send and Receive units fit standard wallboxes and Decora wallplates.
- Advanced circuitry with automatic equalization streams analog audio and video signals over long distances with less distortion.
- Stereo audio input/output handles Dolby® ProLogic™ surround signals.
- Send VCR, DVD, cable TV, satellite and security camera signals through Category 5/5e cable.
- RJ-45 and 110 IDC input for send and receive units.

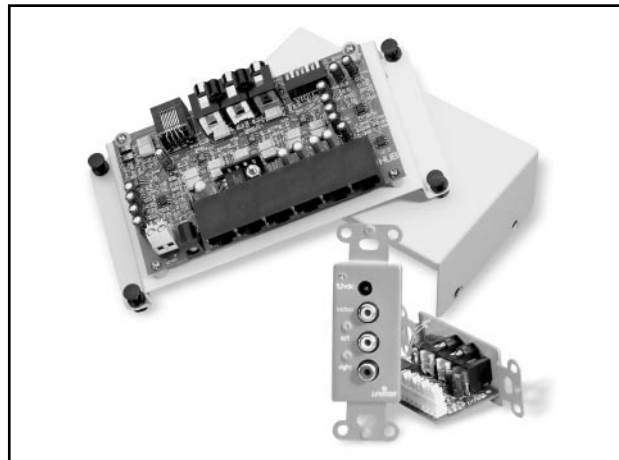
WARRANTY INFORMATION

- Two-year limited product warranty.

PHYSICAL SPECIFICATIONS

Specifications	Send Unit	Receive Unit	Media Hub
Dimensions:	4.1" h x 1.4" w x 2.0" d	4.1" h x 1.4" w x 2.0" d	6.5" h x 3.4" w x 1.75" d
Video Bandwidth:	50 MHz @ -3 dB	50 MHz @ -3 dB	50 MHz @ -3 dB
Video THD:	75 dBc	-75 dBc	-75 dBc
Video Input:	-	0.5V to 2V composite	0.5V to 2V composite
Video Output:	0.5V to 2V composite	-	-
Slew Rate:	800/Vus	800/Vus	800/Vus
Audio Input Impedance:	-	20k Ohms, max 3Vp-p	20k Ohms, max 3Vp-p
Audio Output Impedance:	51 Ohms, max 2Vp-p	-	-
Audio Freq. Response:	5 Hz-100k Hz, ±3 dB	5 Hz-100k Hz, ±3 dB	5 Hz-100k Hz, ±3 dB
Audio THD:	0.002% 20 Hz-20k Hz	0.004% 20 Hz-20k Hz	0.002% 20 Hz-20k Hz
Audio S/N Ratio:	100 dB typical, 80 dB min 20 Hz-20k Hz	100 dB typical, 80 dB min 20 Hz-20k Hz	100 dB typical, 80 dB min 20 Hz-20k Hz
Input Noise:	4.5nV/(Hz), 1/2 typical @ 1k Hz	6nV/(Hz), 1/2 typical @ 1k Hz	4.5nV/(Hz), 1/2 typical @ 1k Hz
Input and Outputs:	3 RCA input jacks 1 set RJ-45 in/out jacks 1 110 punchdown out 1 DC power input	3 RCA output jacks 1 set RJ-45 in/out jacks 1 110 punchdown out 1 DC power input	3 RCA input jacks 1 RJ-45 input jack 6 RJ-45 output jacks 1 DC power input
Power:	12VDC	12VDC	15VDC

See ELECTRONIC FILES for CAD files (.DXF, .DWG, MS-DOS.EPS) on disk



For ELECTRONIC Typical Specs see (.TXT) file on disk.



TYPICAL SPECIFICATIONS

The Decora Media™ System shall be UL listed. Send and Receive Units shall be equipped with RJ-45 jacks and 110 punchdown blocks. Media Hub shall be equipped with RJ-45 ports only. The stereo audio input/output shall comply with Dolby®, Prologic™ surround signals. It shall send video signals through Category 5/5e cable. The Send and Receive units shall fit standard wallboxes. The manufacturer shall provide a two-year limited product warranty.

Decora Media™ System



For Applications Engineering Support – Call 1-425-485-4288; in USA call 1-800-722-2082
Spec sheets and updates are also available at www.levitonvoicedata.com.



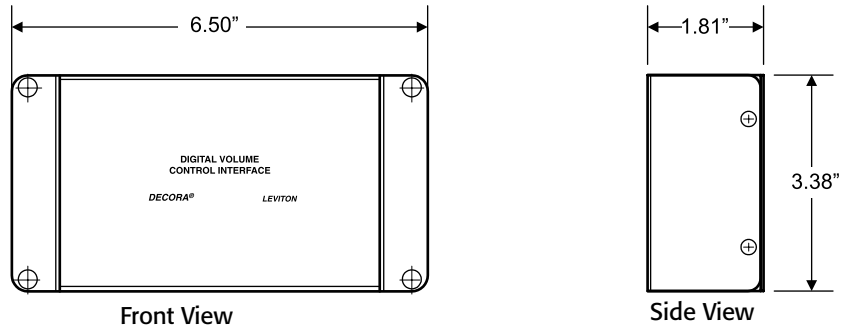
Decora Media™ System

Part Numbers
48210-MCH 48210-MSU
48210-SRU 48210-MRU

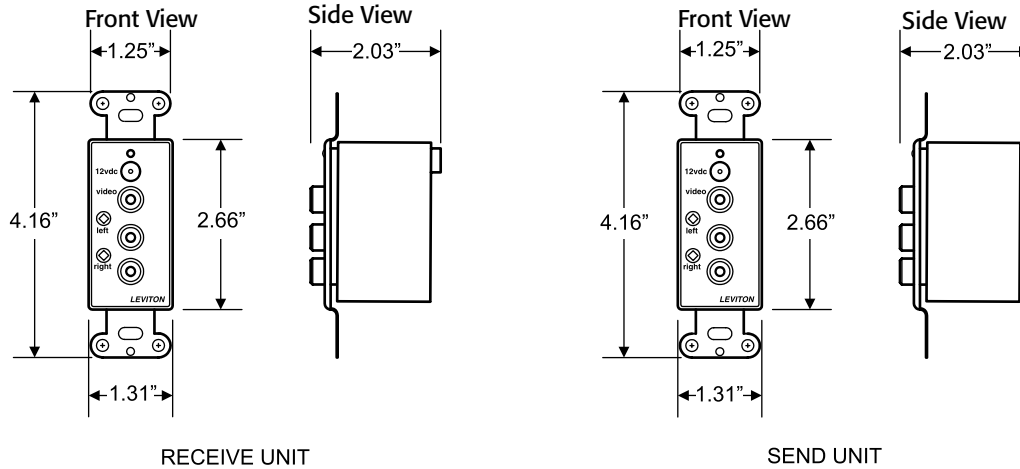
DIMENSIONAL LINE ART

See ELECTRONIC FILES for CAD images
 (.DXF, .DWG, MS-DOS.EPS)

48210-MCH
 Decora Media System Media Hub



48210-SRU
 Decora Media System Send and Receive Unit Pair with Power Supply



PART NUMBER

Decora Media™ System	Part Number
Decora Media System Media Hub with Power Supply	48210-MCH
Decora Media System Send and Receive Unit Pair with Power Supply	48210-SRU
Decora Media System Send Unit with Power Supply	48210-MSU
Decora Media System Receive Unit	48210-MRU



For Applications Engineering Support – Call 1-425-485-4288; in USA call 1-800-722-2082.
 Spec sheets and updates are also available at www.levitonvoicedata.com.



2222 – 222nd St. SE • Bothell, WA 98021 USA • Tel: 1-800-722-2082 / 1-425-485-4288 • Fax: 1-425-483-5270 • Int'l Fax: 1-425-485-9170 • GSA# GS-35F-4785G