

QuickPort® Snap-In Bulkhead Connectors

APPLICATION

Stereo/video connectivity for workstation cabling terminating on UTP cable, speaker wire or shielded audio/video cable. QuickPort® bulkhead connectors snap into any housing with the QuickPort name—flush and surface mount outlets; Multimedia Outlet System (with adapter); patch panels; and patch blocks.

STANDARDS COMPLIANCE

Meets all applicable standards: UL Listed.

PHYSICAL SPECIFICATIONS

Materials: Snap-in connector bodies are high-impact, fire retardant plastic rated UL 94V-0.

Dimensions: Binding Post Connector: .636"H x .575"W x 1.19"D
Banana Jack: .636"H x .575"W x 1.03"D
RCA Jack: .636"H x .575"W x 1.21"D
S-Video Connector: .636"H x .578"W x 1.092"D

DESIGN CONSIDERATIONS

- QuickPort bulkhead connectors snap into any housing with the Quick-Port name: flush and surface mount outlets; Multimedia Outlet System (with adapter); patch panel; and patch blocks.
- Check clearance behind proposed location of bulkhead module, to ensure space for proper bend radius of cabling media.
- Bulkhead connectors are available in ivory, white and almond to match housings or wallplates. S-Video is also available in grey and black.

INSTALLATION NOTES

- Secure connectors to cable prior to snapping into faceplate or surface mount housing.

UNIQUE FEATURES

- Connectors fit all QuickPort® series station housings, Multimedia Outlet System, patch panels and patch blocks.

WARRANTY INFORMATION

- One-year limited product warranty.

See ELECTRONIC FILES for CAD files (.DXF, .DWG, MS-DOS.EPS) on disk



For ELECTRONIC Typical Specs see (.TXT) file on disk.

TYPICAL SPECIFICATION

The connectors for stereo/video connectivity shall be individual snap-in style female-to-female bulkhead adapters, and shall fit all other installed telecommunications wallplates, outlets and field-configurable patch panels and patch blocks. S-Video shall be 110-to-female. Bulkhead connectors shall be available in ivory, white and almond to match the housings or wallplates; colors and configurations to be specified per schedule on plan. Connectors shall be UL listed. All plastics used in construction of the module bodies shall be fire-retardant with a UL flammability rating of 94V-0. The manufacturer shall provide a one-year limited product warranty.

QuickPort® Snap-In Bulkhead Connectors



For Applications Engineering Support – Call 1-425-485-4288; in USA call 1-800-722-2082
Spec sheets and updates are also available at www.levitonvoicedata.com.



QuickPort® Snap-In Bulkhead Connectors

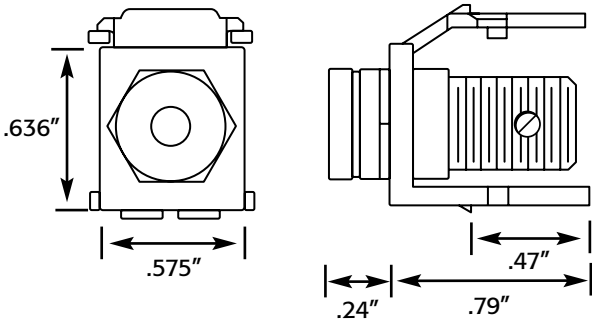
Part Numbers
40734-SV* **40830-Bxx**
40837-Bxx **40833-Bxx**



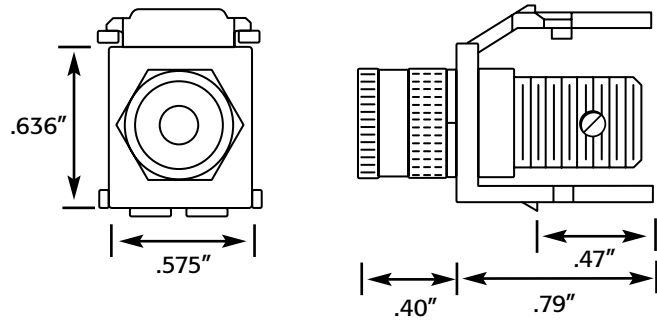
DIMENSIONAL LINE ART

See ELECTRONIC FILES for CAD images
 (.DXF, .DWG, MS-DOS.EPS)

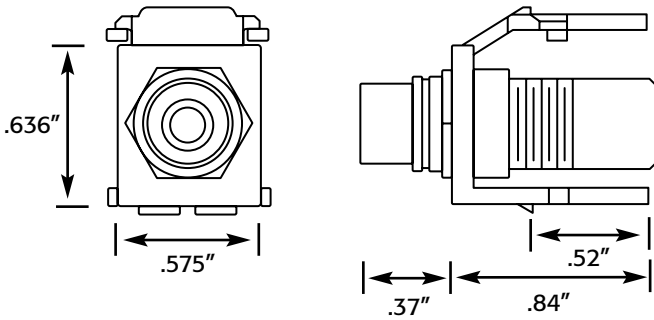
Banana Jack



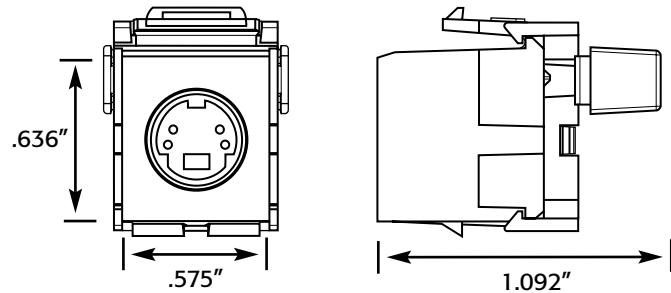
Binding Post Connector



RCA Jack



S-Video Connector



Part Numbers

QuickPort® Snap-In Bulkhead Connectors	Part No.
Binding Post Connector	
with black stripe	40833-B*E
with red stripe	40833-B*R
Banana Jack	
with black stripe	40837-B*E
with red stripe	40837-B*R
RCA Jack	
with black stripe	40830-B*E
with red stripe	40830-B*R
with yellow stripe	40830-B*Y
S-Video Module	
various colors	40734-SV*

For Applications Engineering Support – Call 1-425-485-4288; in USA call 1-800-722-2082.
 Spec sheets and updates are also available at www.levitonvoicedata.com.



2222 – 222nd St. SE • Bothell, WA 98021 USA • Tel: 1-800-722-2082 / 1-425-485-4288 • Fax: 1-425-483-5270 • Int'l Fax: 1-425-485-9170 • GSA# GS-35F-4785G