

## Wall Jacks

### Type 625 Single Telephone Wall Jacks

DESCRIPTION	CAT. NO.	COLOR*
<b>4-Conductor</b>	40649	I, W, GY, E, A <small>Basic Cat. No. Denotes Mahogany</small>
<b>6-Conductor</b>	40638	I, W, GY, A
<b>8-Conductor</b>	40680	I, W, GY

### F Connector Wall Jacks\*

DESCRIPTION	CAT. NO.	COLOR*
<b>Single F Connector</b>	40681	I, W, GY, A <small>Basic Cat. No. Denotes Mahogany</small>
<b>Duplex F Connector</b>	40682	I, W, GY, A <small>Basic Cat. No. Denotes Mahogany</small>
<b>Single F Connector (includes Snap-On Decora Plus Wallplate)</b>	80381	I, W, GY, E, A

\*Standard bulkhead F connector for CATV or other video applications. These jacks are not rated UL94V-O.

### Decora® Plus Voice/Data Jacks with QuickPort® Snap-in Modules

DESCRIPTION	CAT. NO.	COLOR*
<b>Empty Platform, No Jacks</b>	41642	I, B, W, GY, E, A
<b>Platform with Two 6-Conductor Jacks</b>	41666	I, W
<b>Platform with Two 8-Conductor Jacks</b>	41688	I, W
<b>Platform with One 6-Conductor Jack and One F Connector</b>	41658	I, W
<b>Platform with One 6-Conductor Jack and One 8-Conductor Jack</b>	41668	I, W

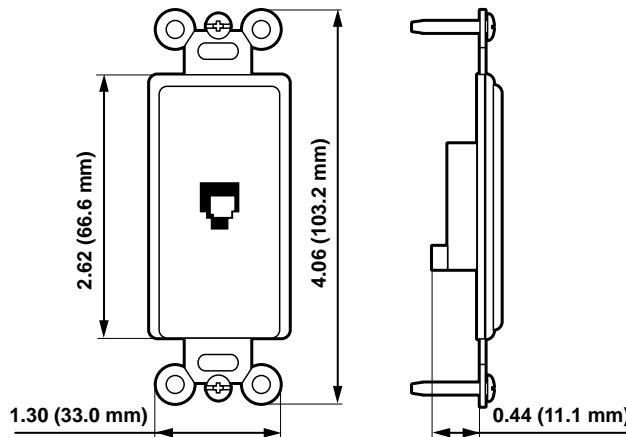
All devices are UL Listed and CSA Certified.



40649-I in 80301-I



40681 in 80301



DECORA TYPE 625 SINGLE TELEPHONE WALL JACK  
Cat. No. 40649

## SPECIFICATIONS & FEATURES

- All wall jacks are compatible with Decora Plus snap-on wallplates and Decora standard wallplates
- All wall jacks can be used with single or multiple-gang wall boxes
- Modular Jacks have 50 micro-inches hard gold-plated phosphor bronze spring wire contacts.
- Jacks can be used for 75-OHM cable connections for televisions, VCR's and receivers
- Decora Plus Duplex Jack uses snap-in modules with quick-connect insulation displacement terminals for 22 or 24 AWG wire

## TESTING & CODE COMPLIANCE

- UL Listed (File #109712) in accordance with NEC Article 800-51(-I)
- CSA Certified (File #80287 for all cat. nos. except 80381, which is File #LR-20064)
- NOM Certified (#057)
- Decora F-Connector Wall Jacks meet specs. for UL 1863
- Meet FCC Part 68 requirements
- All Decora Plus Voice/Data Jack Snap-in QuickPort modules meet TIA-568A electrical, mechanical and transmission requirements
- Wall Jacks' housings of high-impact, self-extinguishing plastic, rated UL 94 V-O
- Backed by a Limited Two-Year Warranty

## \*COLOR

Colors available as listed. For other color selections, add suffix to catalog numbers as follows: Brown (-B), Ivory (-I), White (-W), Gray (-GY), Black (-E), Almond (-A).

## MATERIAL CHARACTERISTICS

Environmental Flammability: Meet specs for UL1863

For more information regarding matching wallplates, colors, materials, single and multi-gang, refer to Wallplates, section G. For QuickPort® Snap-in Modules, see section "S"

