

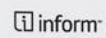
Medical Grade
Power Strips
WITH
Load Monitoring
 Inform™ Technology

Simplifying Efforts to
Satisfy Code Requirements



LEVITON

MEDICAL GRADE



COMPLIANT WITH
NFPA 99 REQUIREMENTS
FOR PATIENT CARE AREAS

-  POWER
-  PROTECTION
-  **LOAD MONITOR**
EXCEEDED NFPA 99
CURRENT LIMIT WHEN LIT



Medical Grade Power Strips

WITH

Load Monitoring

Inform™ Technology

Leviton's load monitoring med-strip with Inform technology is the only solution on the market addressing the challenge of overseeing ampacity in hospital power strips.

In a patient care area, different devices are plugged into med-strips, including heart monitors, oxygen pumps, fluid heaters, and other vital machines. Some devices draw far higher amperages than others.

These innovative Medical Grade Power Strips with Inform technology monitor the load of connected devices so that you don't have to, eliminating all the challenges of manual calculation. When the National Fire Protection Association (NFPA) 99: Health Care Facilities Code current limit has been exceeded, a line-of-sight alert LED activates, providing a real-time indicator to make a change. It's a simple, efficient, and convenient way to improve code compliance and electrical safety in health care facilities.

Both the Centers for Medicare and Medicaid Services (CMS) and The Joint Commission inspect and survey to requirements in NFPA 99.

ACCORDING TO NFPA 99 ARTICLE 10.2.3.6:

The sum of the ampacity of all appliances connected to the outlets does not exceed 75 percent of the ampacity of the flexible cord supplying the outlets.

For a full list of requirements for the use of medical grade power strips and other electrical equipment in patient-care areas, see NFPA 99 Chapter 10.



INCREASE SAFETY & EFFICIENCY
by monitoring real-time data
for power usage and device
performance

IMPROVE CODE COMPLIANCE
by alerting end-users of potential
problems with line-of-sight
notifications

MAXIMIZE PRODUCTIVITY
by reducing the need for
manual calculations

Medical Grade Power Strips with Load Monitoring Inform™ Technology

Features & Benefits

ETL Listed to UL Standards

Surge LED will be lit when surge protection is active (surge protected models only)

Load monitoring LED will remain off until NFPA 99 limit is reached. LED will turn yellow to alert user when 75% or more of the rated load is flowing*

	OVERCURRENT INDICATION		LOAD MONITOR EXCEEDED NFPA 99 CURRENT LIMIT WHEN LIT
--	-------------------------------	--	---

All outlets and plug are hospital grade, ensuring dependable performance

Heavy-duty steel construction to withstand the rigors of demanding environments

5 YEAR WARRANTY

*Power will NOT be interrupted as a result of the load monitor circuit indicator being activated



LEVITON
MEDICAL GRADE
ETL Intertek 58641
inform™
COMPLIANT WITH NFPA 99 REQUIREMENTS FOR PATIENT CARE AREAS
POWER
PROTECTION
LOAD MONITOR
EXCEEDED NFPA 99 CURRENT LIMIT WHEN LIT

Insert plug blade to release cover
Press on edge of cover to close

Locking safety covers are splash-resistant and protect from incidental contact with unused outlets

Easily accommodates surface mounting; IV pole mounting possible with the use of Leviton mounting bracket (5300M-BKT, sold separately)



Ordering Information

Description	Cat. No.
4-Outlet, 15 A, Non-Surge Protected, 7' Cord	53C4M-1N7
4-Outlet, 15 A, Non-Surge Protected, 15' Cord	53C4M-1N5
6-Outlet, 15 A, Surge Protected, 7' Cord	53C6M-1S7
6-Outlet, 15 A, Non-Surge Protected, 7' Cord	53C6M-1N7
6-Outlet, 15 A, Surge Protected, 15' Cord	53C6M-1S5
6-Outlet, 15 A, Non-Surge Protected, 15' Cord	53C6M-1N5
6-Outlet, 20 A, Surge Protected, 7' Cord	53C6M-2S7
6-Outlet, 20 A, Non-Surge Protected, 7' Cord	53C6M-2N7
Mounting Bracket (for IV Poles)	5300M-BKT

Specifications

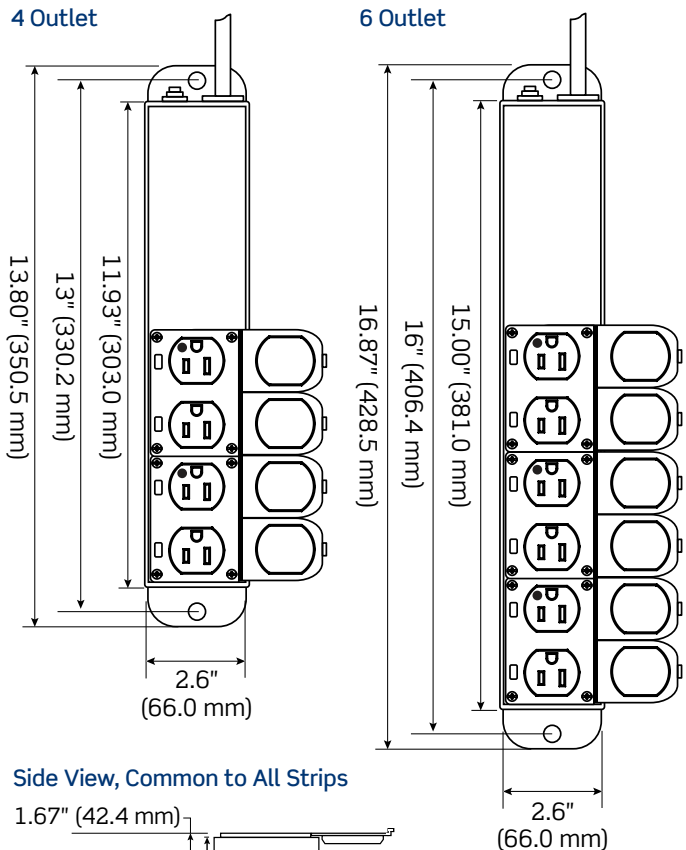
Electrical Specifications	
Current	15 A (12 A max continuous load) or 20 A (16 A max continuous load)
Voltage	125 V
Frequency	60 Hz
Surge Technology [†]	MOV
Performance Data	
Voltage Protection Rating (VPR) [†]	600 V (L-N), 600 V (L-G), 500 V (N-G)
Max. Continuous Operating Voltage (MCOV) [†]	150 V
Max. Surge Current, Per Mode [†]	27 kA
Max. Leakage Current	<100 µA
Material Specifications	
Line Cord	#14/3 SJT (15 A models) or #12/3 SJT (20 A models)
Enclosure	Powder Coated Steel (18 ga)
Outlet Covers	Polypropylene
Mechanical Specifications	
HG Plug Configuration	NEMA 5-15P or NEMA 5-20P
HG Outlet Configuration	NEMA 5-15R or NEMA 5-20R
Environmental Specifications	
Operating Temperature	0°C to +40°C
Storage Temperature	-10°C to +50°C
Standards	
UL	UL 60601-1; UL 60950-1; UL 1363A; UL 1449
NFPA	NFPA 99 2018 ed
Warranty	
Product Warranty	5-Year Limited

[†] Spec is relevant to Surge Protective models only

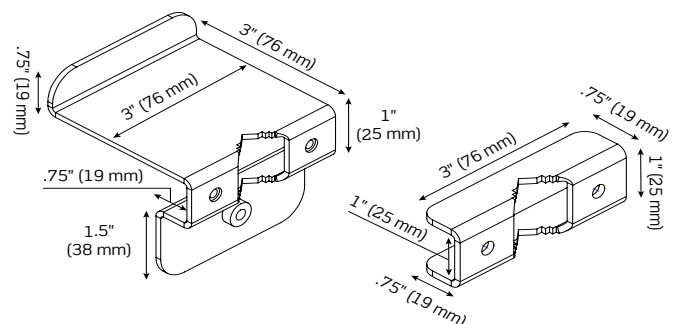
For our entire offering of Medical Grade Power Strips, visit www.leviton.com/medstrips

Dimensions

Medical Grade Strips



Mounting Bracket



Visit our Website at:
leviton.com/medstrips
 email: inform@leviton.com
commercial@leviton.com

Q-1215

012420

Leviton Manufacturing Co., Inc.
 201 N Service Rd, Melville, NY 11747
 Telephone: 1-800-323-8920 • FAX: 1-800-832-9538
 Tech Line: 1-800-824-3005 (M-F 8AM-10PM; Sat 9AM-7PM; Sun 9AM-5PM)

© 2020 Leviton Manufacturing Co., Inc. All rights reserved.

