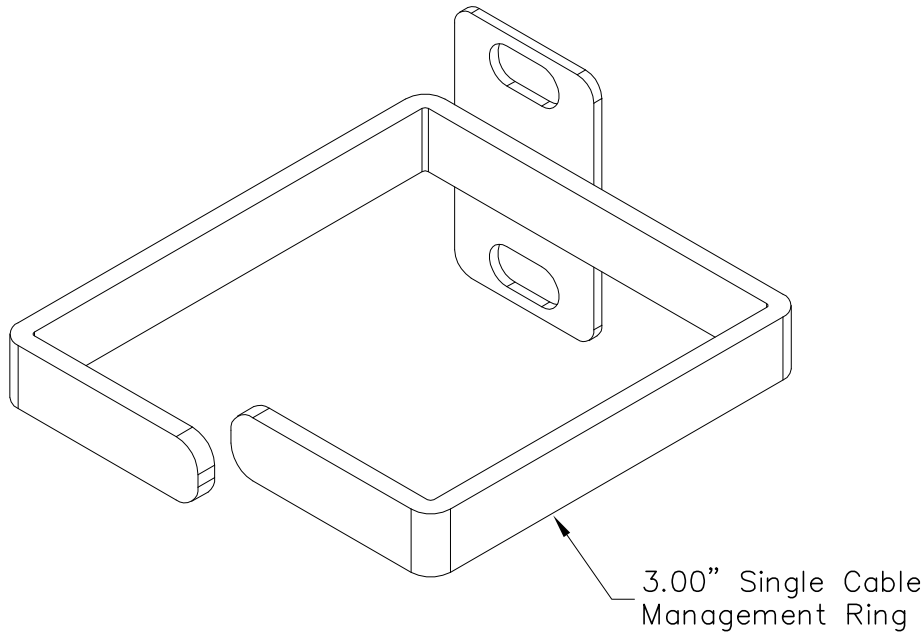


# 3.00" Single Cable Management Ring, 10 Pk

## PRODUCT SPECIFICATION


### Package includes:

- A. 3.00" Single Cable Management Ring, 10 pc
- B. #12-24 x 5/8" Pan Head, Pilot Point Machine Screw, 20 pcs
- C. M4 X .7mm Pan Head, Phillips with Washer Screw, 10 pc

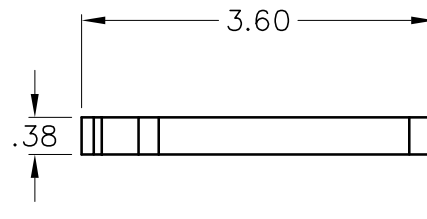
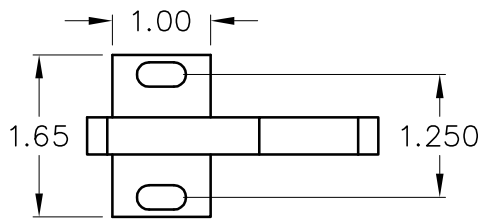
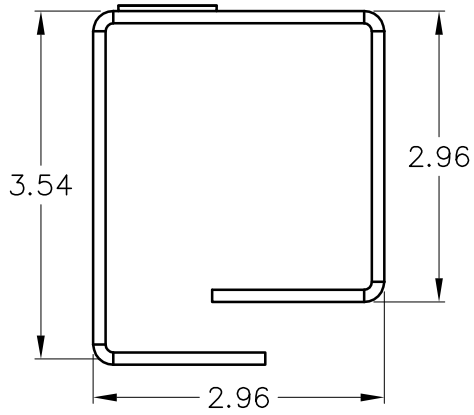


### Features and Benefits:

- Provides flexibility for front or back cable management with a neat and clean appearance
- Suitable for all racks, wall mount racks, and wall mount brackets
- Used with ICCMS distribution and cable management racks, ICCMSWMR wall mount racks, ICCMSSGR wall mount swing gate racks, ICCMSVHB wall mount vertical hinged brackets, and ICCMSHB wall mount hinged brackets

<b>RING, CABLE MGMT, SINGLE, 3.00" 10 PK</b>		 <i>PremiumProducts</i> <i>ProvenPerformance</i> <i>CompetitivePrices</i>	
ITEM NO.	ICCMSCMPT2		REV. A
DWG NO.	PSCMSCMPT2		PAGE NO. 1

CUSTOMER CARE / TECHNICAL SUPPORT \* CSR@ICC.COM / 888-ASK-4-ICC (275-4422) \* 14700 Alondra Blvd., La Mirada, CA 90638 \* www.icc.com



**NOTE: UNLESS OTHERWISE SPECIFIED**

1. MATERIAL:

A. RING: 1/8" X 3/8" STRIP CRS

B. BRACKET: 16 GA CRS

2. SURFACE FINISH: BLACK TEXTURED POWDER COAT

**RING, CABLE MGMT, SINGLE, 3.00" 10 PK**

ITEM NO. ICCMSCMPT2  
 DWG NO. PSCMSCMPT2

REV. A  
 PAGE NO. 2



CUSTOMER CARE / TECHNICAL SUPPORT \* CSR@ICC.COM / 888-ASK-4-ICC (275-4422) \* 14700 Alondra Blvd., La Mirada, CA 90638 \* www.icc.com