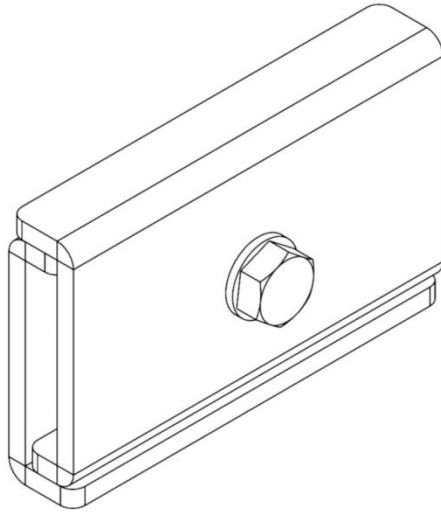


# Runway Kit, Butt Splice, 10PK

---

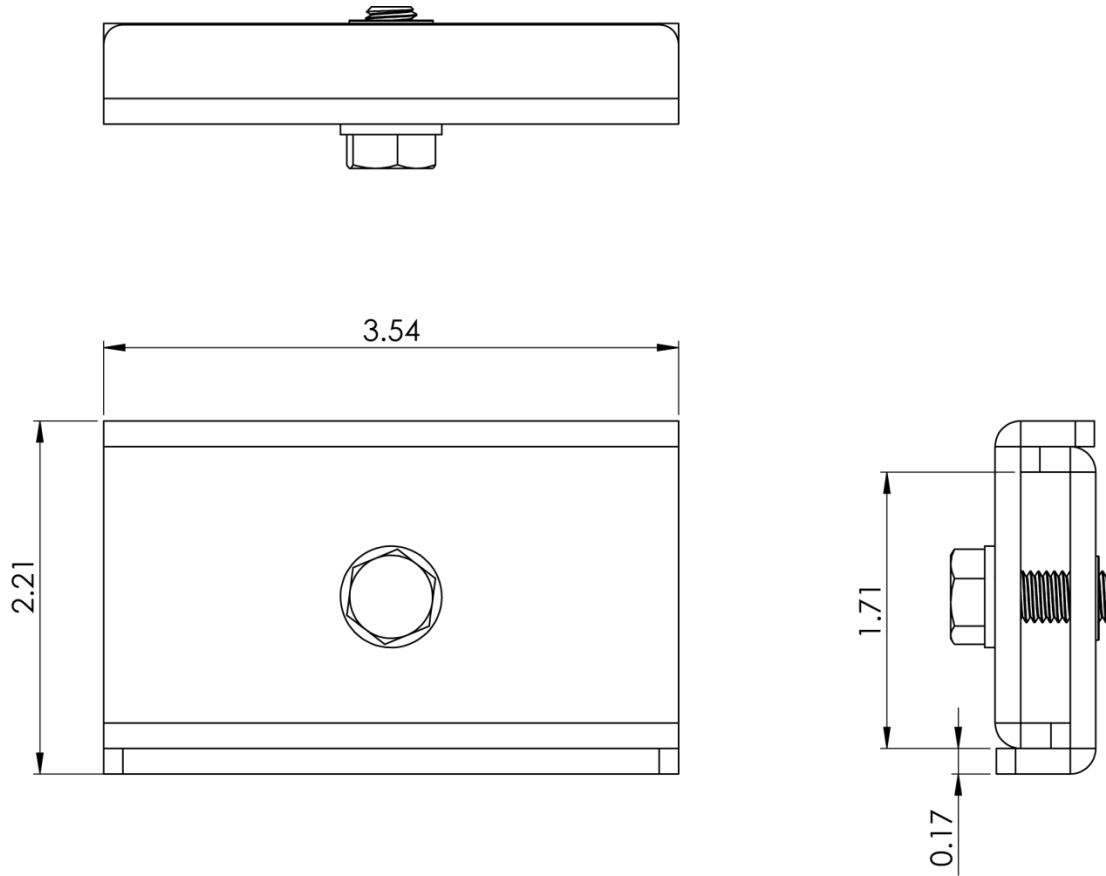
## Package Include:

- A. Bracket Kit, **10 Piece**
- B. M10 Washer, **10 Piece**
- C. M8 x 20mm Machine Screw, **10 Piece**



## Features and Benefits

- Joins ladder rack runway sections together
- Made with 9 gauge cold rolled steel
- Powder coated black
- Available in bulk 10-Pack



**Specifications**

1. Material: 9 GA CRS
2. Surface Finish: Black Powder-Coat