

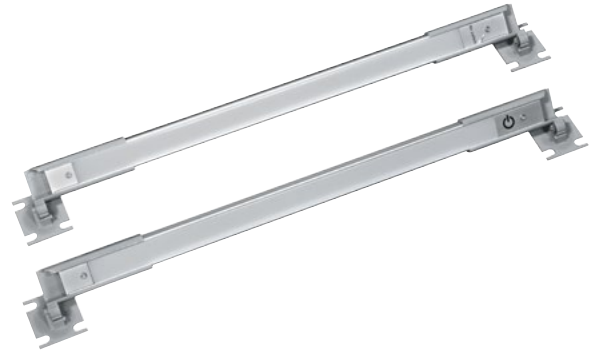
# LT Series

rackmount LED worklight

integrator-focused rack lighting option offering unparalleled visibility during installation & servicing

## features:

- Provides vertical and horizontal mounting capabilities to light anywhere it's needed or space is available
- Adjustable-angle light bar can be positioned so that its bright white LEDs will maximize full rack height illumination
- Two models provide the freedom to choose the level of lighting needed for the size of the rack or installation: Single light or Dual light with interconnect cable.
- Ships with multiple power adapters for expanded international application
- Low-profile, unobtrusive design won't impose on the installation and serviceability of the enclosure



## specifications:

LT Series Rackmount/vertical LED worklight shall be Middle Atlantic Products model # LT-CABUTL-\_\_ (refer to chart). LT series shall have an adjustable width of 17.73" to 21", a height of 1.75" and a depth of 1.72". LT series shall have a light temperature of 2,700-6,500K, and provide \_\_lm (refer to chart). LT series light bar shall have an adjustment range of 100°. LT series shall have a cord length of 59", and the interconnect cable (LT-CABUTL-DUAL only) shall be 118". LT Series shall include power adaptors for US, BS, SAA and EU. LT Series shall have a UL Listed power supply that meets US DOE Level VI requirements with an output of 12VDC, 2 Amps. LT Series shall have an input voltage range of 90VAC to 260VAC, an input frequency range of 50/60Hz, and a max AC current draw of 800mA AC. LT Series shall meet the EU RoHS Directive 2011/65/EU. LT Series shall be warranted to be free from defects in materials and workmanship under normal use and conditions for a period of 3 years. LT Series shall be CE Marked (single light only) and FCC Part 15, Class B.

Customizable specification clips available at [middleatlantic.com](http://middleatlantic.com)

EIA/TIA COMPLIANT



what **great systems** are built on.™

A brand of **legrand**

**Middle Atlantic Products**

[middleatlantic.com](http://middleatlantic.com) | [middleatlantic.ca](http://middleatlantic.ca)

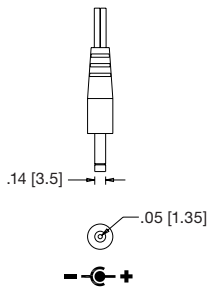
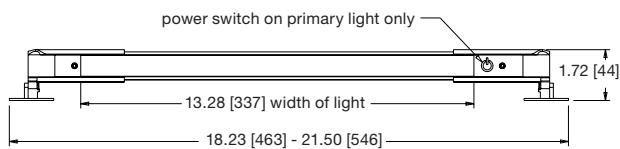
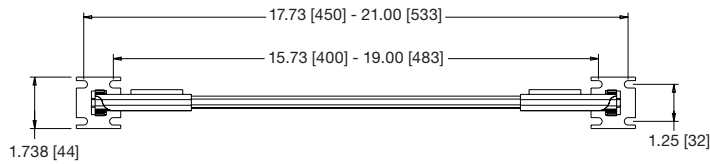
96-01240 / rev a / 7-21-16

# LT Series

## basic dimensions

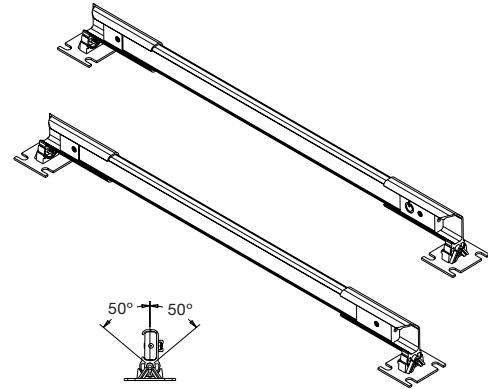
all dimensions in inches unless otherwise noted [all dimensions in brackets are in millimeters]

mounting brackets telescope to allow rackmount or a wide variety of mounting possibilities



Notes:  
1. International power supply included. adaptors for US, BS, SAA, & EU included.  
cord length 59 [1500] power supply output 12 VDC, 2A

|                  | Light Qty | Interconnect Cable / Length | Light Temperature | Lumens     |
|------------------|-----------|-----------------------------|-------------------|------------|
| LT-CABUTL-SINGLE | 1         | no                          | 2700-6500K        | 480-540lm  |
| LT-CABUTL-DUAL   | 2         | yes / 118 [3000]            | 2700-6500K        | 960-1080lm |



| TECHNICAL SPECIFICATIONS                        | LT-CABUTL-SINGLE                          | LT-CABUTL-DUAL |
|---|---|----------------|
| <b>INPUT (AC/DC ADAPTER)</b>                    |   |                |
| Input Voltage Range                             | 90VAC - 260VAC                            |                |
| Input Frequency Range                           | 50/60Hz                                   |                |
| Max AC Current Draw @ Full Load                 | 800mA AC                                  |                |
| <b>OUTPUT (AC/DC adapter)</b>                   |   |                |
| Nominal DC Output Voltage                       | 12VDC                                     |                |
| DC Output Voltage Range                         | 11.4VDC - 12.6VDC                         |                |
| Typical DC Current Draw                         | Single Light 0.6ADC, Dual Light 1.2ADC    |                |
| Max DC Load Current                             | 2.0ADC                                    |                |
| Short Circuit Protection                        | Yes                                       |                |
| DC Output Connector                             | 3.5mm x 1.35mm x 12mm, Center Positive    |                |
| <b>PHYSICAL (AC/DC adapter)</b>                 |   |                |
| Dimensions                                      | 1.8 x 3.5 x 1.5 in (45.5mm x 88mm x 38mm) |                |
| AC Receptacles                                  | Four (4) Interchangeable: US, BS, SAA, EU |                |
| Weight Lb. (G)                                  | 0.39lb (175g)                             |                |
| <b>REGULATORY(AC/DC adapter)</b>                |   |                |
| Safety  | UL, cUL, CE                               | UL, cUL        |
| EMI (Adapter and Lights)                        | FCC Class B, CE                           | FCC Class B    |
| Efficiency                                      | Meets US DOE Level VI requirements        |                |
| <b>ENVIRONMENTAL (lights and AC/DC adapter)</b> |   |                |
| Operating Temperature                           | 32F TO 104F (0C TO 40C)                   |                |
| <b>OPERATING RELATIVE</b>                       |   |                |
| Humidity  | 0 TO 90% NON-CONDENSING                   |                |

what **great systems** are built on.™

A brand of **legrand**

**Middle Atlantic Products**  
middleatlantic.com | middleatlantic.ca