

Straight Blade Devices

2 Pole, 3 Wire Grounding

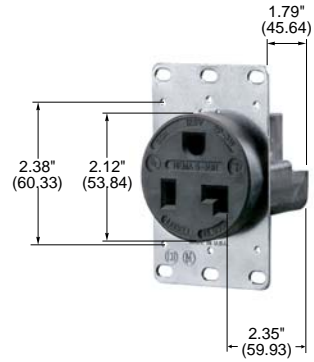
30 and 50 Ampere, 125, 250 Volts and 277 Volts AC
Single Receptacles and Plugs



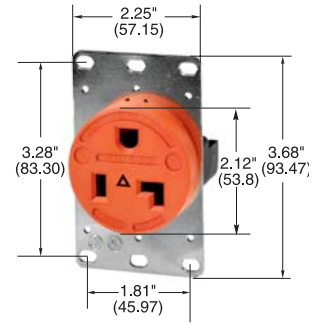
IP20
SUITABILITY

2 Pole, 3 Wire Grounding Receptacles and Plugs

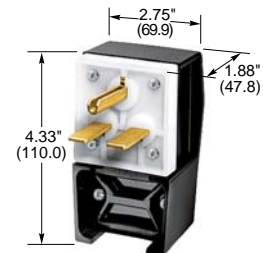
Rating	Configuration	Description	Cord Dia.	Catalog No.
30A 125V		Receptacle, black RTP.		HBL9308
30A 125V		Receptacle, orange, isolated ground.		IG9308
30A 125V		Plug, nylon, angle, 4 position.	.625"-1.187" (15.9-30.2)	HBL9309
30A 250V		Receptacle, black RTP.		HBL9330
30A 250V		Receptacle, orange, isolated ground.		IG9330
30A 250V		Plug, nylon, angle, 4 position.	.625"-1.187" (15.9-30.2)	HBL9331
30A 277V AC		Receptacle, black RTP.		HBL9315
30A 277V AC		Plug, nylon, angle, 4 position.	.625"-1.187" (15.9-30.2)	HBL9319
50A 125V		Receptacle, black RTP.		HBL9360
50A 125V		Plug, nylon, angle, 4 position.	.625"-1.187" (15.9-30.2)	HBL9361
50A 250V		Receptacle, black RTP.		HBL9367
50A 250V		Plug, nylon, angle, 4 position.	.625"-1.187" (15.9-30.2)	HBL9368
50A 277V AC		Receptacle, black RTP.		HBL9365
50A 277V AC		Plug, nylon, angle, 4 position.	.625"-1.187" (15.9-30.2)	HBL9379



HBL9308



IG9308



HBL9331

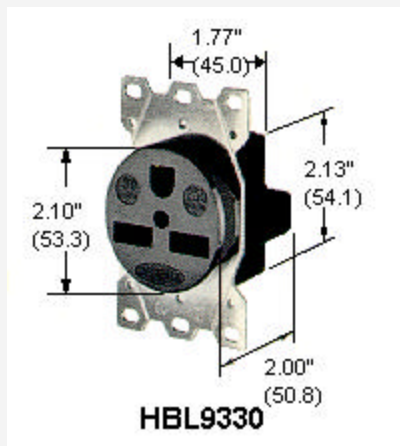
Notes: HP ratings are AC only.

RTP is an abbreviation for reinforced thermoplastic polyester.

See page A-40 for accessories.

See Section J for full line of isolated ground devices.

HBL9330 -- Straight Blade Products, Receptacle




2-Pole 3-Wire Grounding, 30A 250V, 6-30R, Black RTP

Product Specifications

Product Type



Receptacle Style	Single
Face Shape	Traditional
Standard	NEMA
Amperage	30A
Voltage	250V
Poles and Wires	2 Pole, 3-Wire Grounding
Wiring Method	Back and Side
Hospital Grade ?	No
Receptacle Grade	Heavy Duty Spec Grade
Face Style	Finder Groove
Color	 Black
NEMA No.	6-30R
Horsepower	2
Type	2 Pole, 3 Wire, Grounding
Rating	30A, 250V
Certification	UL, CSA, Fed Spec
Terminal Screw Material	Plated Steel
Ground Screw Material	Plated Steel

Top Material	Phenolic
Base Material	Phenolic
Power Contacts Material	brass
Mounting Strap Material	.062" (1.5) Plated Steel
Mounting Screw Material	Steel-Zinc Plated
Box Terminals Material	Brass
Dielectric Voltage	Withstands 2,000V minimum.
Current Interrupting	Certified for current interrupting at full rated current.
Temperature Rise	Max 30°C temperature rise at full rated current after 50 cycles of overload at 150% of rated current at a power factor of 75%..
Terminal Identification	Terminals identified in accordance with UL498 (Brass, White, Green).
Terminal Accommodation	#10-#4 AWG copper stranded or solid conductor only.
Product Identification	Ratings are a permanent part of the device.
Flammability	UL 94 V0.
Operating Temperatures	Maximum continuous 75°C, minimum -40°C (w/o impact).
M Drawings	Click here for M-Drawing
Catalog Page	Click here for catalog page A37
Catalog Section	Click here for Section-A
UPC Number	783585015231
Weight in LBs	0.400

