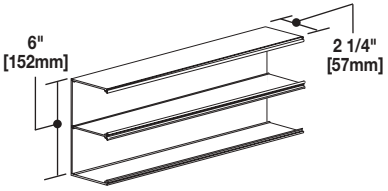
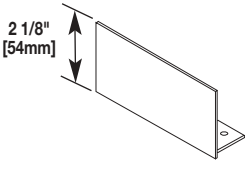
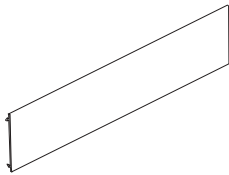
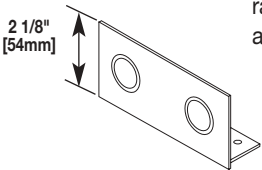
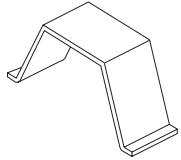
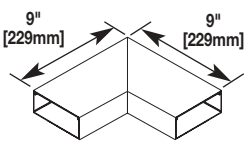
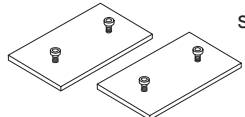
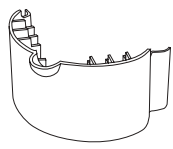
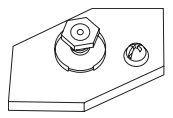
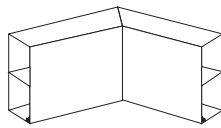
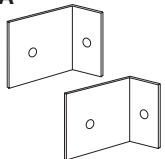
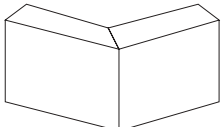
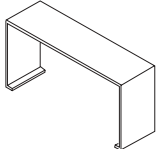
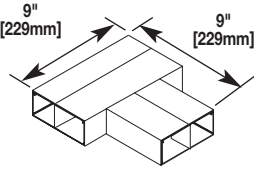


ALA4800 Raceway Fittings

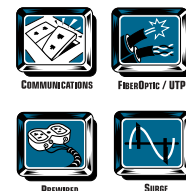
Catalog No./Item	Description/Specifications	Catalog No./Item	Description/Specifications
ALA4800B-10	<p>Base – Satin Anodized finish. Nominal wall thickness of 0.078" [2mm]. Packed four 10' [3.00m] lengths per carton.</p> 	ALA4810B	<p>Blank End Fitting – For closing ends of raceway.</p> 
ALAC-5	<p>Cover – Satin Anodized finish. Nominal wall thickness of 0.060" [1.52mm]. Packed eight 5' [1.50m] lengths per carton.</p> 	ALA4810B2	<p>End Fittings – For feeding raceway, has concentric 1/2" [12.7mm] and 3/4" [19.1mm] knockouts.</p> 
ALAWC	<p>Wire Clip – Used for holding conductors in place along raceway. Snaps into grooves on base.</p> 	ALA4811	<p>90° Flat Elbow – Couplings furnished.</p> 
ALA01	<p>Coupling – To connect adjoining sections of base.</p> 	ALA11RI	<p>2" [51MM] Bend Radius Control Insert for Flat Elbow – For the ALA4811 Flat Elbow. For new and retrofit applications whether the cable installation is lay-in or pull-through. One insert required per channel.</p> 
ALA09	<p>Grounding Adapter – For connection of equipment grounding conductor.</p> 	ALA4812A	<p>45° Internal Elbow w/ Coupling –</p> 
ALA17A	<p>Internal Corner Coupling – To form an internal 90° turn in a raceway run.</p> 	ALA4812B	<p>45° External Elbow w/Coupling –</p> 
ALA4806	<p>Cover Clip – To cover seam where lengths of cover or base come together.</p> 	ALA4815	<p>Divided Flat Tee – Couplings furnished.</p> 

WIREMOLD



ALA4800 Aluminum Raceway

Isoduct™ Architectural Aluminum Twin Cover Raceway *Available Factory Prewired.*



The Wiremold ALA4800 Aluminum Raceway System meets the demands of commercial spaces, providing a handsome and effective method of consolidating power and communications cabling. In laboratories, healthcare facilities and upscale office locations, the two channel, two cover aluminum raceway directs power and communication cabling services where required and provides access to one channel at a time.



Features & Benefits

- **Common Covers.** Shares cover plates with the ALA3800 Series.
- **Datacom connectivity options.** Accepts industry standard and proprietary devices from a wide range of manufacturers to provide a seamless and aesthetically pleasing interface for voice, data, audio, and video applications at the point of use.
- **Cable bend radius control inserts.** Provides a 2" [51mm] bend radius for Fiber Optic / UTP installations.
- **Satin anodized finish.** Has an aesthetically pleasing appearance that resists rust, corrosion and fading.
- **Dual channel and dual cover.** Allows access to one service at a time.
- **Removable cover and precut device plates.** Provides easy access to wiring and maximum flexibility for adding or relocating outlets and circuits.
- **Broad range of standard fittings.** Accommodates many site situations from internal and external elbows to flat tees.
- **Accommodates standard electrical wiring devices.** Accommodates most installations including single outlets, duplex outlets, NEMA-Locking outlets, GFCI outlets, and Sentrex® surge protected outlets.
- **Available prewired.** Manufactured to specified job site lengths, raceway comes ready to install (includes installation details). Jobs can be packaged by room, area, floor, or building and shipped per your job site requirements. See page 5 for options.
- **Electrical device identification for prewired raceway.** See page 6 for labeling options. Eliminates guesswork or time-consuming tracing of circuits and speeds additions and renovations.
- **Custom prewired options available.**
 - Custom colors available upon request. Consult factory for more information.
 - Custom device openings.
- **UL and cUL Listed multioutlet assemblies.** File E68073 Guide PVGT. Fittings: File E121188 Guide RJPR. Meets Article 380 of NEC and meets Section 12-3032 of CEC.
- **UL and cUL Listed component raceway.** File E73943 Guide RJBT. Fittings: File E74243, Guide RJPR. Meets Article 386 of NEC and meets Section 12-1600 of CEC.
- **UL5 and ADA compliant.** Raceway and fittings meet UL5 specifications and can be installed in conformance with ADA requirements.