

T5380-W



UPC Code: 07847743439

Country of Origin: Mexico - *Eligible for ARRA funded projects > \$7,443,000

NEMA: 5-20R



Type 3: Surge Protective Receptacles

Brand Features

Leviton's Surge Protection Devices can be used individually or as part of a coordinated application strategy, to protect sensitive electronic equipment, in industrial, commercial and residential locations, from the stress and degradation inflicted by voltage transients. Leviton Surge Protection Devices are compliant with UL 1449 Standards. Leviton's outstanding Surge Protection Devices divert damaging voltage transients, or surges, away from electronic equipment. Transients are diverted away from sensitive micro circuitry, providing protection against catastrophic failure, costly downtime and data disruptions.

Item Description

20 Amp, 125 Volt, 20A feed through, NEMA 5-20R, 2P, 3W, Decora Plus Duplex Receptacle, Tamper-Resistant, Straight Blade, Commercial Specification Grade, Self Grounding, Surge w/ Indicator Light, Back & Side Wired, Steel Strap, includes matching color wallplate - WHITE

Technical Information

Electrical Specifications

Amperage: 20 Amp
Voltage: 125 Volt
Pole: 2
Wire: 3
Grounding: Self-Grounding
Dielectric Voltage: Withstands 2000V per UL498
Current Limiting: Full Rated Current
Temperature Rise: Max 30C after 250 cycles OL at 200 percent rated current

Environmental Specifications

Flammability: Rated V-2 per UL94
Operating Temperature: -40C to 60C

Material Specifications

Face Material: Nylon
Body Material: Polycarbonate
Line Contacts: Brass Triple-Wipe
Terminal Screws: Brass-Plated Steel
Grounding Screw: Brass-Plated Steel
Yoke: Zinc-Plated Steel
Clamp Nuts: Zinc-Plated Steel
Ground Clips: Brass-Plated Steel
Shutter Mechanism: Delrin® Acetal

Mechanical Specifications

Terminal ID: Brass-Hot, Green-Ground, Silver-Neutral
Terminal Accom.: 14-10 AWG
Product ID: Ratings are permanently marked on device
Torque Range: 14-16 inch pounds

Performance Data

MCOV: 150V rms
Joules Rating: 720
Nominal Discharge Current Rating: 3kA
Maximum Surge Current, Per Mode (Per Phase): 27kA (L-N:18kA, L-G:9kA)
Noise Rejection: -30dB at 500kHz-30MHz
VPR: L-N: 600V, L-G: 700V, N-G: 600V
Short Circuit Current Rating: 5kA
Diagnostics: Indicator Light

Product Features

Color: White
NEMA: 5-20R

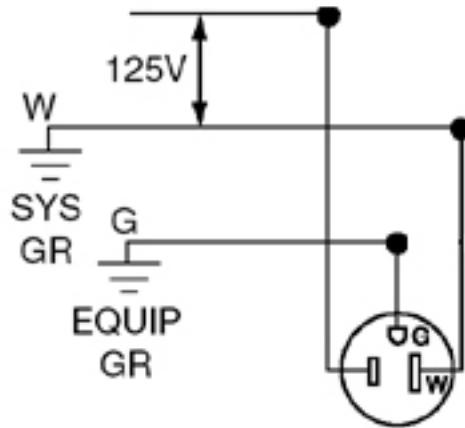
Standards and Certifications

NEMA: WD-6
ANSI: C-73
Agency Certifications: UL 498, UL 1449 3rd Edition Listed and CSA C22.2 Certified Type 3
NOM: 057

Warranty

Product Warranty: 10-Year Limited

Wiring Diagram



5-15R

SPECIFICATION SUBMITTAL

JOB NAME: <input style="width: 95%;" type="text"/>	CATALOG NUMBERS: <input style="width: 95%;" type="text"/>	
JOB NUMBER: <input style="width: 95%;" type="text"/>	<input style="width: 95%;" type="text"/>	<input style="width: 95%;" type="text"/>

Leviton Manufacturing Co., Inc.

201 North Service Road, Melville, NY 11747
Telephone: 1-800-323-8920 · FAX: 1-800-832-9538 · Tech Line (8:30AM-7:30PM E.S.T. Monday-Friday): 1-800-824-3005

Leviton Manufacturing of Canada, Ltd.

165 Hymus Boulevard, Pointe Claire, Quebec H9R 1E9 · Telephone: 1-800-469-7890 · FAX: 1-800-824-3005 · www.leviton.com/canada

Leviton S. de R.L. de C.V.

Lago Tana 43, Mexico DF, Mexico CP 11290 · Tel.: (+52)55-5082-1040 · FAX: (+52)5386-1797 · www.leviton.com.mx

Visit our Website at: www.leviton.com

© 2012 Leviton Manufacturing Co., Inc. All rights reserved. Subject to change without notice.

Leviton has a global presence.

If you would like to know where your local Leviton office is located please go to: www.leviton.com/international/contacts/

**Buy American Compliant Logo -- The American Recovery And Reinvestment Act of 2009 ("ARRA") provides federal grants and loans for projects throughout the country. Section 1605 of the Act, named the "Buy American" provision, requires that certain materials and manufactured products used in projects funded by the Act be manufactured in the United States. The appearance of the Recovery Act Logo in relation to a Leviton product is only intended to reflect that such product may be used in an ARRA funded project. It does not mean that such product or Leviton is sponsored or endorsed by, or that Leviton receives funds from, the federal government or the Recovery Accountability and Transparency Board. Nothing in Leviton's use of the logo is intended to suggest anything regarding the requirements for funding under ARRA.*

