

7591-PLI



UPC Code: 07847740964

Country of Origin: China

NEMA: 5-15R



Ground Fault Circuit Interrupter (GFCI)

Brand Features

Leviton is the leading manufacturer of Ground Fault Circuit Interrupters (GFCIs) in the electrical industry. Available in Extra Heavy Duty Hospital and Commercial Spec Grade, they are ideal for a wide range of GFCI applications. Our large selection of GFCIs includes Tamper-Resistant (TR) GFCI devices that meet Section 406.11 of the 2008 code and help protect children from electrical shock. For the highest level of ground fault protection, install 2008 NEC code compliant Weather-Resistant GFCI (WR) receptacles, which meet UL 498 requirements. Built with UV stabilized engineering thermoplastic, the devices have high cold impact resistance and feature stainless steel straps and mounting screws.

Item Description

15A-125V SmartlockPro GFCI. Single outlet with LED Pilot Light, monochromatic, wallplate and screws included –Ivory

Technical Information

AC Horsepower Ratings

At Rated Voltage: 1 HP

Electrical Specifications

Temperature Rise: Max 30C after 50 cycles OL at 150 percent rated current

Current Limiting: 10kA

Environmental Specifications

Flammability: Rated V-2 per UL94

Operating Temperature: -35C - 66C

Material Specifications

Face Material: Nylon

Body Material: Polycarbonate

Terminal Screws: Plated Steel

Grounding Screw: Plated Steel

Yoke: Zinc-Plated Steel

Clamp Nuts: Steel

Mechanical Specifications

Terminal ID: Brass-Hot, Green-Ground, Silver-Neutral

Product ID: Ratings are permanently marked on device

Performance Data

Diagnostics: w/ Indicator Light

Trip Level: 5mA plus or minus 1mA

Product Features

Grounding: GFCI Ground Fault

Feature: SmartLockPRO Combination GFCI Receptacle and LED Pilot Light

Amperage: 15 Amp

Voltage: 125 Volt

NEMA: 5-15R

Standards and Certifications

NEMA: WD-1 & WD-6

ANSI: C-73

UL 943: Class A (GFCI)

UL 498: File E-48380

CSA C22.2 No. 42: File LR-57811

NOM: 057

Pole: 2

Wire: 3

Termination: Back & Side 20A Feed-Thru

Face Material: Nylon

Body Material: Polycarbonate

Strap Material: Steel

Color: Ivory

Standards and Certifications: UL/CSA

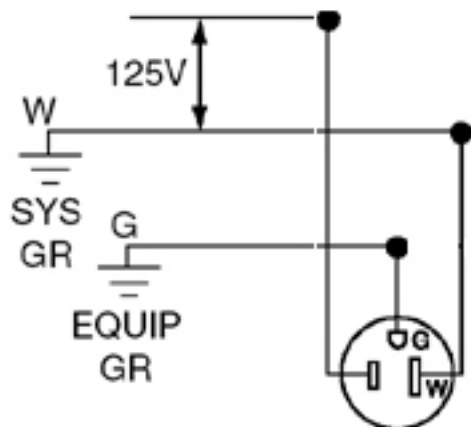
Warranty: 2-Year Limited

Diagnostics: w/ Indicator Light

Features and Benefits

- Manual control of pilot light using the TEST/RESET buttons
- Long-lasting, energy efficient LEDs with 20-year life expectancy – no bulbs to replace
- Power Indicator illuminates when load is on
- Automatically test the GFCI every time the RESET button is pushed in - the GFCI will not reset if the GFCI circuit is not functioning properly
- By blocking reset of the GFCI if protection has been compromised, SmartLockPRO reduces the possibility of end-users incorrectly assuming that a reset GFCI outlet is providing ground fault protection when it actually is not.
- A line-load reversal diagnostic feature is provided which prevents the GFCI from being reset and stops power from being fed to the GFCI receptacle face or through to downstream devices. A green LED indicator on the GFCI's face also illuminates to alert the installer to the line-load wiring reversal.
- The trip latch mechanism in SmartLockPro GFCIs is a one piece "T" design for efficient operation
- Trip threshold meets or exceeds UL requirements
- Improved immunity to high-frequency noise reduces nuisance tripping
- Advanced electronics design provides superior resistance to electrical surges and over-voltages
- Expanded wiring options with nine back-wire holes (two for each line and load connection plus one for ground with an internal clamp)
- Triple combination terminal screws (Philips, Robertson & slotted)
- Grounding terminal screw also has hex head
- Compatible with all Decora devices and wallplates; available in select Decora colors

Wiring Diagram



5-15R

SPECIFICATION SUBMITTAL

JOB NAME: <input type="text"/>	CATALOG NUMBERS: <input type="text"/>	
JOB NUMBER: <input type="text"/>	<input type="text"/>	<input type="text"/>

Leviton Manufacturing Co., Inc.

201 North Service Road, Melville, NY 11747

Telephone: 1-800-323-8920 · FAX: 1-800-832-9538 · Tech Line (8:30AM-7:30PM E.S.T. Monday-Friday): 1-800-824-3005

Leviton Manufacturing of Canada, Ltd.

165 Hymus Boulevard, Pointe Claire, Quebec H9R 1E9 · Telephone: 1-800-469-7890 ·

FAX: 1-800-824-3005 · www.leviton.com/canada

Leviton S. de R.L. de C.V.

Lago Tana 43, Mexico DF, Mexico CP 11290 · Tel.: (+52)55-5082-1040 · FAX: (+52)5386-1797 · www.leviton.com.mx

Visit our Website at: www.leviton.com

© 2012 Leviton Manufacturing Co., Inc. All rights reserved. Subject to change without notice.

Leviton has a global presence.

If you would like to know where your local Leviton office is located please go to: www.leviton.com/international/contacts/

