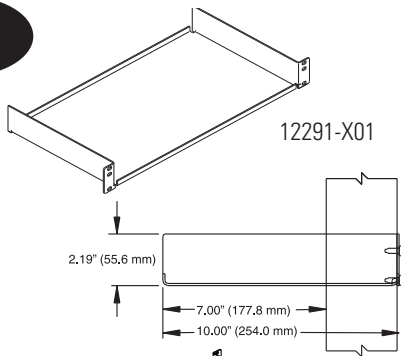
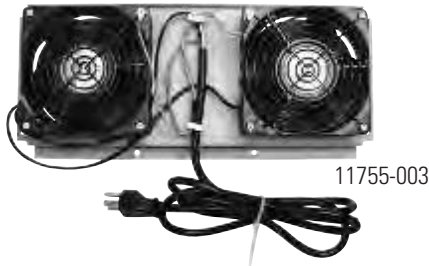
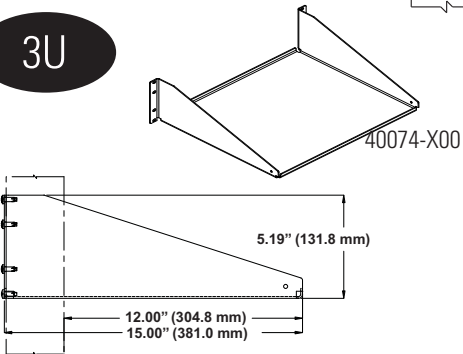


WALL-MOUNT RACK ACCESSORIES

2U



3U



1U



See Section 1 for additional shelf options.
See Section 7 for additional power options.

Shelves

- 15" (380 mm) shelf mounts in 18"D (460 mm) racks only

Part Number	Description	Shipping Weight lb (kg)
10"D (250 mm) Shelf, H x W - in (mm)		
12291-X01	2U x 17.25 (438.2), Supports 40 lb (18.1 kg)	4 (1.8)
15"D (380 mm) Shelf, H x W - in (mm)		
40074-X00	3U x 17.25 (438.2), Supports 50 lb (22.7 kg)	6 (2.7)

X=color: 1=Gray, 2=White, 5=Clear, 7=Black

Fan/Filter Kit

Fan pressurizes enclosure, forcing warmer air out top vents. Fan is rated for 200 CFM and has an attached 5'6"L (1.6 m) power cord with NEMA 5-15P plug. (37 dB noise level)

Part Number	Description	Shipping Weight lb (kg)
11755-003	200 CFM, 115 VAC, 50/60 Hz, NEMA 5-15P	3 (1.4)
11222-001	Replacement Filters, Set of 4	1 (0.5)

Power Strip

Streamlined, durable steel body is fitted with bracket for mounting.

- 17"L (430 mm), uses 1U, black
- Circuit breaker, eight outlets, 10' (3 m) cord

Part Number	AMP	Surge Protected	Plug Type	Outlet Type
12816-701	15A	No	NEMA 5-15P	15A (5-15R)
12816-702	15A	No	NEMA L5-15P	15A (5-15R)
12816-703	15A	Yes	NEMA 5-15P	15A (5-15R)
12816-704	15A	Yes	NEMA L5-15P	15A (5-15R)
12816-705	20A	No	NEMA 5-20P	20A (5-20R)
12816-706	20A	No	NEMA L5-20P	20A (5-20R)
12816-707	20A	Yes	NEMA 5-20P	20A (5-20R)
12816-708	20A	Yes	NEMA L5-20P	20A (5-20R)