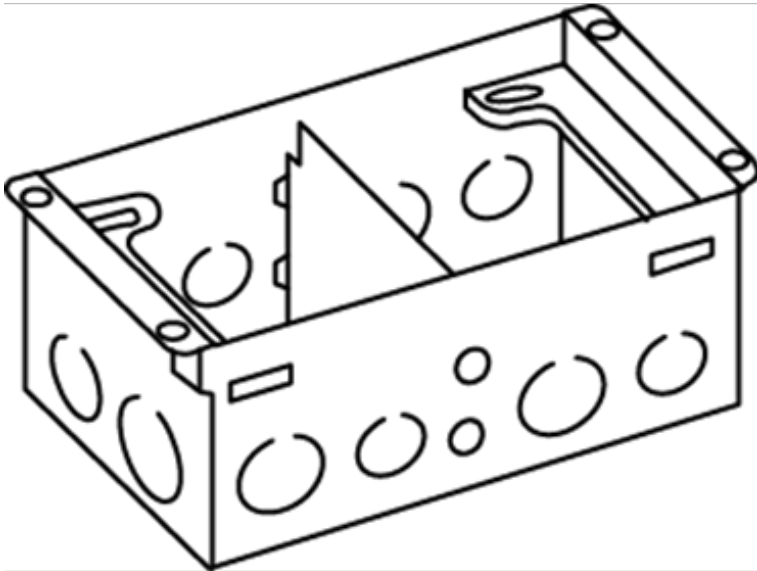


Wiremold

880W2

880W2 Series Steel Floor Box - 880W2

Two-gang steel box for wood floors.



FEATURES

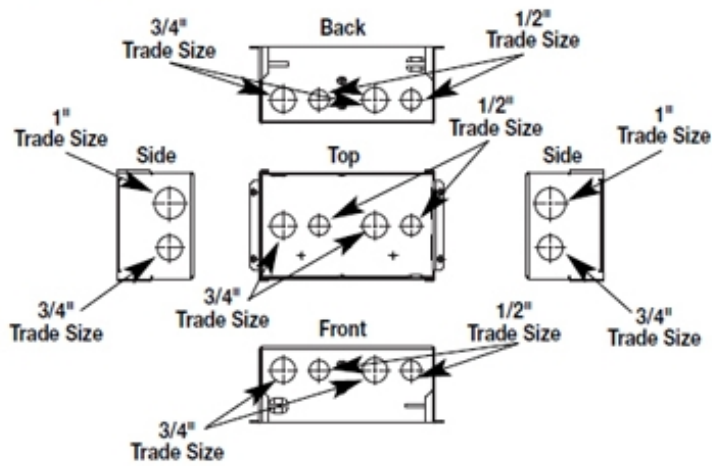
Specifications

Conduit Openings: (6)-1/2" [12.7mm], (8)-3/4" [19.1mm], (2)-1" [25mm]

Compartment Capacity: 58 cu in. [951ml³], 59 cu in. [967ml³]

Knockout Sizes & Locations:

Knockouts:



BUY AMERICAN ACT COMPLIANCE

Country of Origin: UNITED STATES OF AMERICA

Buy American Act Status: Buy American Act Compliant