



APPLICATION Note

TELECOM SOLUTIONS FOR THE 21ST CENTURY

Q170600

Adding a Ringer to Viking Telephones

September 29, 2003

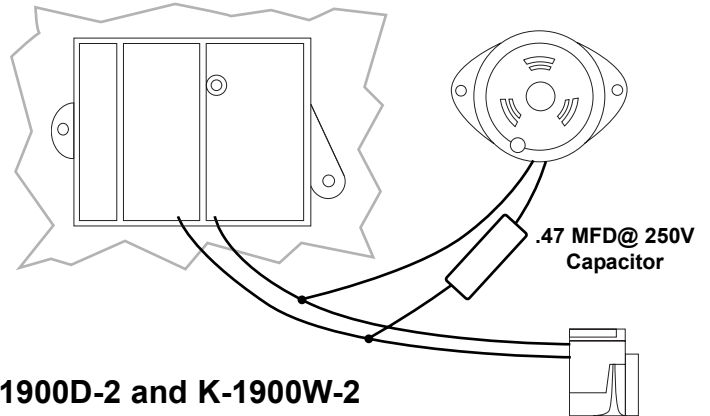
Adding a Ringer to Viking Telephones

A **Q170600** ringer may be easily added to Viking phones that don't provide a ringer from the factory.

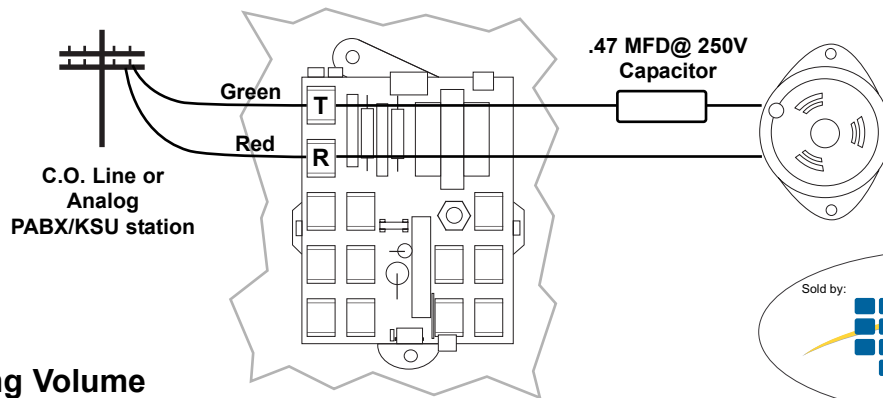
The ringer provides a loud electronic warble each time standard ring voltage is detected.

The **Q170600** kit includes a capacitor and a ringer.

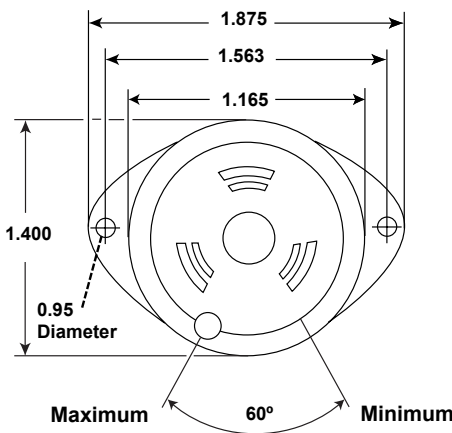
A. Installation for the K-1500-7 and K-1900-8



B. Installation for the K-1900-7, K-1900D-2 and K-1900W-2



C. Adjusting the Ring Volume



info@vikingelectronics.com

<http://www.vikingelectronics.com>

Specifications

Power: Telephone line powered (40 - 107V AC @ 16 - 67 Hz)
Dimensions: 35.6mm x 40.6mm x 31.2mm (1.40" x 1.6" x 1.23")
Shipping Weight: 0.45 kg (1 lb)
Environmental: -20° C to 65° C (-4° F to 149° F) with 5% to 95% non-condensing humidity
REN: 0.4A
Ring Volume: 70 - 90 db

Product Support Line...715.386.8666

Fax Back Line...715.386.4345

Due to the dynamic nature of the product design, the information contained in this document is subject to change without notice. Viking Electronics, and its affiliates and/or subsidiaries assume no responsibility for errors and omissions contained in this information. Revisions of this document or new editions of it may be issued to incorporate such changes.