


# HBL517IV -- Metal Raceway, HBL500 Series, Internal Elbow, Ivory



The HBL500 series Internal Elbow is used for inside surfaces at right angles.

## Product Specifications

<b>Fitting Type</b>	Elbow, Internal
<b>Datasheet</b>	<a href="#">Click Here</a>
<b>Dimensions</b>	A: 3.33" (84.51) B: .58" (14.73) C: 3.33" (84.51)
<b>Raceway</b>	 <p><b>Fittings</b></p>
<b>For Use With</b>	HBL500, HBL750
<b>Catalog Page</b>	<a href="#">Click Here</a>

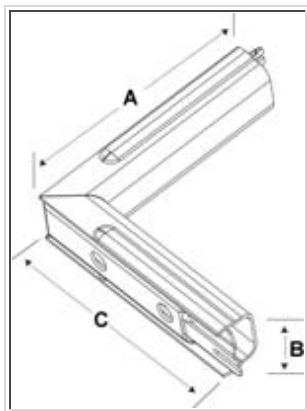
## FEATURES

- Enhanced datacom capabilities.
- Largest single channel, low-profile raceway available in its class.
- Ideal for datacom and oversized neutral applications.
- Allows up to three Category 5e, or two Category 6 cables.
- Complete line of transition fittings for HBL500 Series Metal Raceway.

## SPECIFICATIONS

- Material: Steel.
- Finish: painted Ivory.

- UL Standard: UL5. E253976, E253830, E253833.
- UL Classified for transition from Wiremold® Metal Surface Raceway to Hubbell Metal Raceway.
- NEC Article: 386.
- Conforms to ANSI/TIA-569-B.
- CSA Standard Listing: C22.2 no. 62, LR87514.



**Metal Raceway Wire Fill Capacities**

Series	Channel Area (sq. in.)	Power (THHN/T90 Nylon)			Voice		Data (Copper Cables)					Data (Multimode Fiber Optic Cables)			
		14 AWG	12 AWG	10 AWG	4-Pair	25-Pair	Type RG59U	Cat. 5e	Cat. 6	Cat. 6A	Cat. 6 STP	(2) or (4) Fiber Round Cable	Fiber Optic Jumpers	Fiber Optic Zip Cord	
		Wire O.D. (in.):	0.111	0.13	0.164	0.19	0.41	0.242	0.21	0.25	0.35	0.29	0.19	0.118	.12 X .24
		Wire Area (sq. in.):	0.0097	0.0133	0.0211	0.0283	0.1320	0.0460	0.0346	0.0491	0.0962	0.0660	0.0283	0.0109	0.0288
		Channel Area (sq. in.)	Wire Fill Capacity			40%	40%	40%	40%	40%	40%	40%	40%	40%	40%
HBL500	0.22		7	5	3	3	1	2	3	2	1	1	3	8	3
HBL750	0.40		12	9	5	6	1	3	5	3	2	2	6	15	6

Note: Pathway (Raceway) fill shall be 40% maximum.  
Raceway fittings and outlets/receptacles reduce the cross section of the raceway system, thus reducing overall cable fill capacity.

