



TECHNICAL Practice

TELECOM SOLUTIONS FOR THE 21ST CENTURY

PS-48-RGA

Talk Battery and Ring Voltage Power Supply

April 6, 2000

Provide Talk Battery and Ring Voltage to Equipment that Requires it!



The **PS-48-RGA** power supply provides talk battery plus standard ring voltage where and when needed. Housed in a convenient wall mount enclosure, the **PS-48-RGA** comes complete with a plug-in power supply.

The **PS-48-RGA** will provide telephone communication equipment with 48V DC talk battery.

In addition, the **PS-48-RGA** will produce 90V 20 Hz sine wave ring voltage rated up to 10 REN. This allows a phone system to sequence up to 30 ringing phones.

Applications

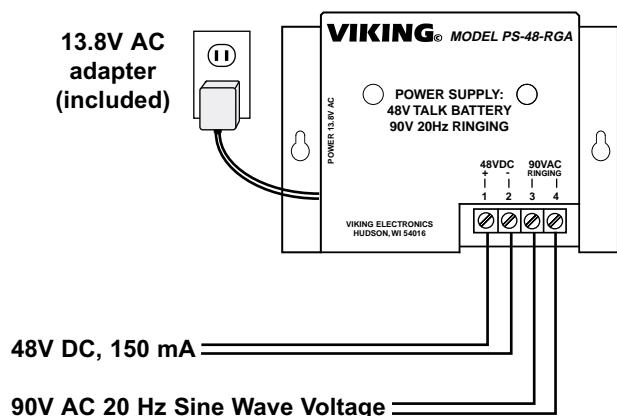
- Electronic Key Systems
- Paging systems
- OPXs

Features

- Provides 48V talk battery
- Provides 90V ring voltage



Installation



Phone... 715.386.8861

info@vikingelectronics.com

http://www.vikingelectronics.com

Specifications

Power: 120V AC/13.8V AC 1.25A, UL listed adapter provided

Dimensions: 135mm x 90mm x 45mm (5.25" x 3.5" x 1.73")

Shipping Weight: 0.9 kg (2 lbs)

Environmental: 0° C to 32° C (32° F to 90° F) with 5% to 95% non-condensing humidity

DC Power: 48V DC (nominal, 150mA maximum current)

Ring Power: 90V AC @ 20 Hz, capable of ringing 5 REN with DC power fully loaded, capable of ringing 10 REN with DC power not used

Connections: 4 position screw terminal

Product Support Line... 715.386.8666

Fax Back Line... 715.386.4345

Due to the dynamic nature of the product design, the information contained in this document is subject to change without notice. Viking Electronics, and its affiliates and/or subsidiaries assume no responsibility for errors and omissions contained in this information. Revisions of this document or new editions of it may be issued to incorporate such changes.