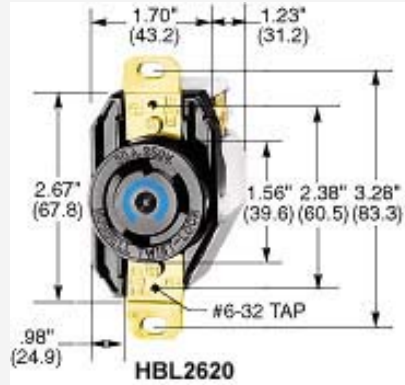


HBL2610 -- Twist-Lock Receptacle



2P3W, 30A 125V, L5-30R, Black Nylon Face

Product Specifications

Product Type



Product Item	Single Receptacle
Wiring Scheme	2 Pole, 3 Wire Grounding
Amperage	30A
Voltage	125V AC
NEMA Configuration	L5-30R
Item Style	Standard
Device Color	Black
Horsepower	2
Terminal Clamp Material	.040" (1.0) Brass
Terminal Screw Material	#10-32 Bronze (White finish on neutral screw when used)
Ground Screw Material	#10-32 Bronze (Green)
Contact Spring Material	.040" Brass

Mounting Screw Material	Steel-zinc-plated
Cover (Top) Material	Black Nylon
Base Material	Nylon Polyester
Ground Contact Material	.040" Brass
Bridge (Mounting Strap) Material	.050" Brass
Back Plate Material	.040" Brass
Rivet Material	Brass
Auto Ground Clip Material	Stainless Steel
Ratings	Molded into face.
Dielectric Voltage Withstand	2,000V minimum
Current Interrupting	Certified for current interrupting at full rated current
Temperature Rise	Max 30 deg. temperature rise at full rated current after 50 cycles of overload at 150% of rated current at a power factor of .75
Terminal Accommodation	30A-#10AWG
Terminal Identification	Terminals identified in accordance with UL 498 (X, Y, Z, White, Green)
Flammability	HB or better per UL 94 or CSA 22.2 No. 0.6
Operating Temperatures	Maximum Continuous 75 C Minimum -40 C (w/o impact)
Listings	FED SPEC UL/CSA
UPC Number	78358523592
Weight in LBs	0.3

