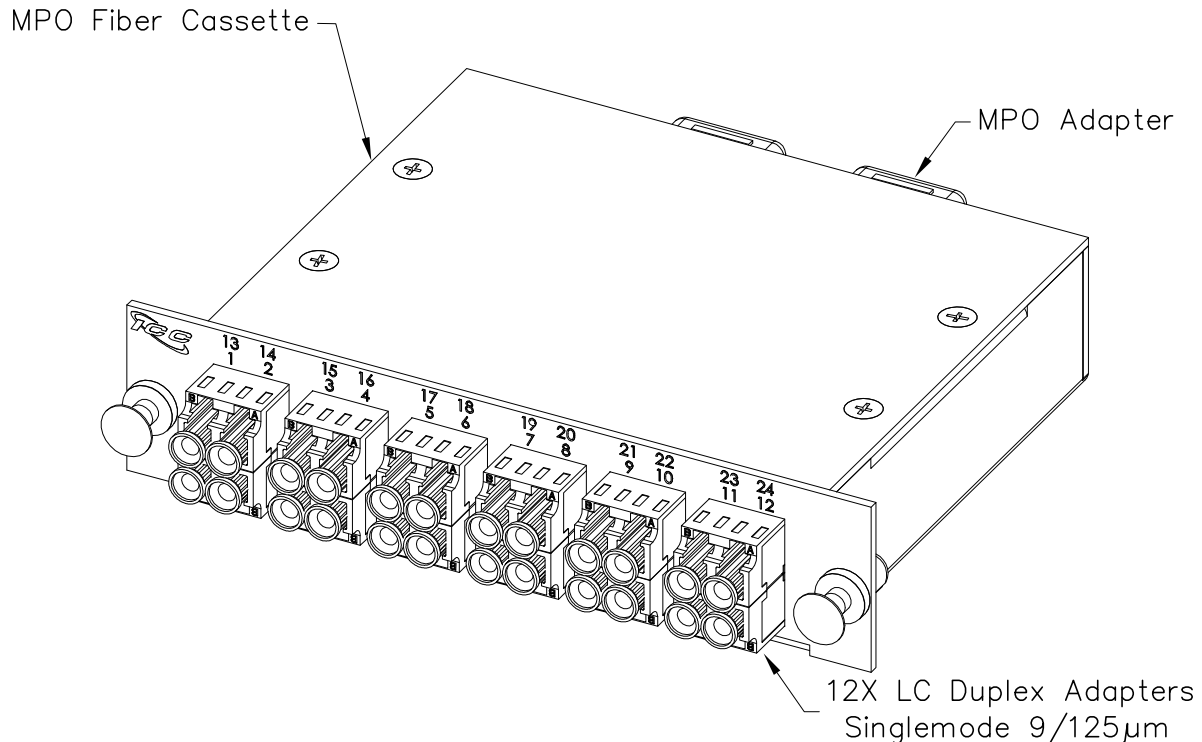


24 Fiber LC-Duplex Singlemode MPO Cassette

PRODUCT SPECIFICATION

Package includes:

- A. LC-Duplex MPO Cassette, 1 pc
- B. Performance Sheet, 1 pc
- C. Product Information Sheet, 1 pc



Features and Benefits:

- High quality aluminum material allows for compact and durable cassettes.
- Cassette offers a plug and play solution which saves assembly and termination time.
- Designed to fit ICC's wall mount enclosures (ICFOD) and rack mount enclosures (ICFOR).
- MPO connector reduces insertion loss which enhances channel link performance.
- Suitable for any applications with a need for higher bandwidth with longer distances.
- Cassette allows up to 72 fibers within 1 RMS.
- Available in black.

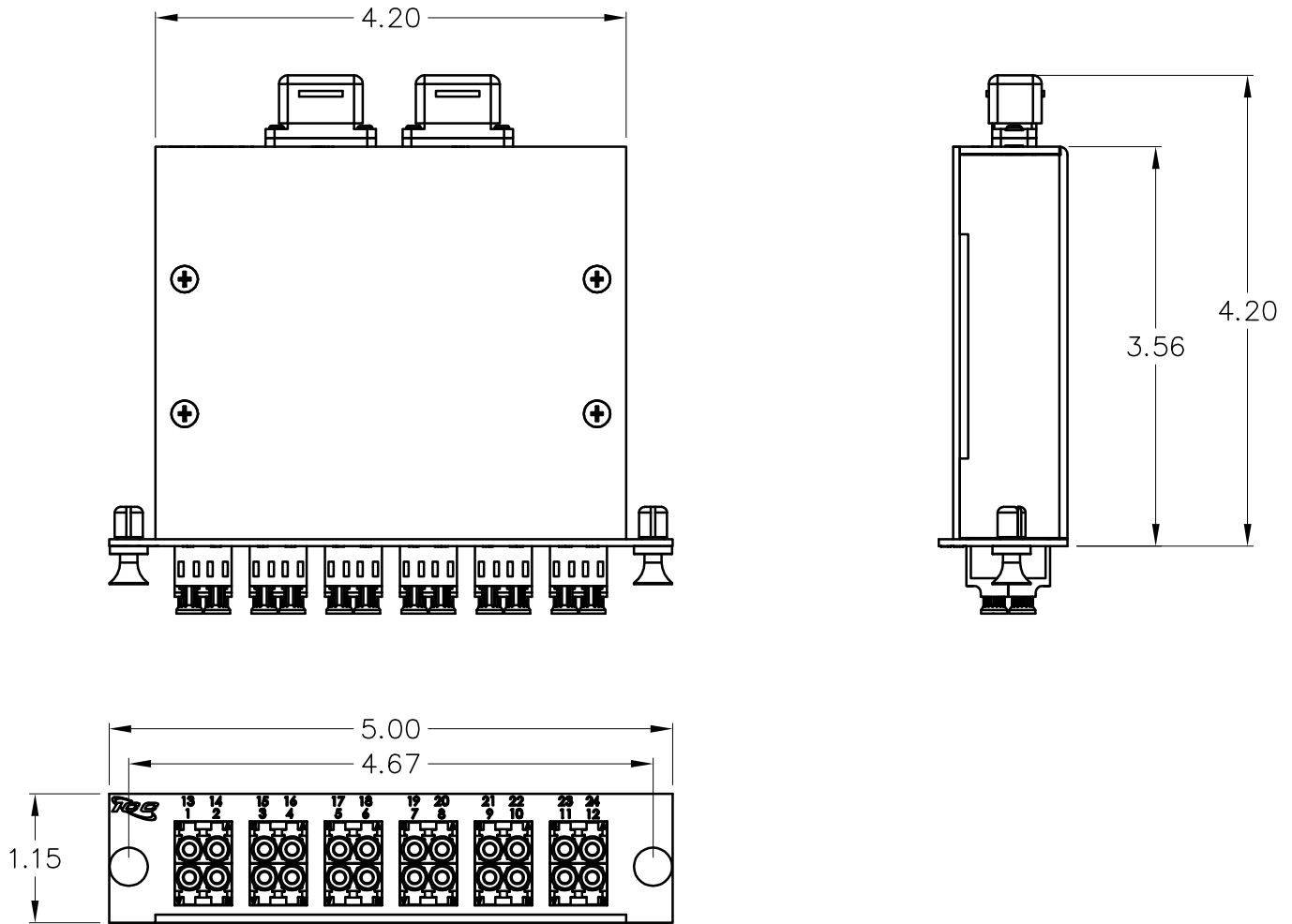
MPO CASSETTE, 24F, SM, LC DUP, 9 µm

ITEM NO. ICFC24SLD9
 DWG NO. PSFC24SLD9

REV. A
 PAGE NO. 1



CUSTOMER CARE / TECHNICAL SUPPORT * CSR@ICC.COM / 888-ASK-4-ICC (275-4422) * 14700 Alondra Blvd., La Mirada, CA 90638 * www.icc.com



NOTE: UNLESS OTHERWISE SPECIFIED

1. CASSETTE HOUSING:

- A. MATERIAL: ALUMINUM ALLOY
- B. SURFACE FINISHING: BLACK POWDER COAT

2. LC-DUPLEX ADAPTER:

- A. MATERIAL: ABS
- B. COLOR: GREEN
- CAP: WHITE
- C. SLEEVE: CERAMIC
- D. INSERTION LOSS: <0.3 dB TYPICAL

3. MPO ADAPTER:


- A. MATERIAL: POLYBUTYLENE TEREPHTHALATE (PBT)
- B. COLOR: GREEN
- C. MATING CYCLES: 1000 MATING CYCLES
- D. DUST CAP: TPP
- COLOR: BLACK
- E. INSERTION LOSS: <0.5dB

4. CABLE TYPE:

- A. 9/125µm

MPO 1-12	PORT NO.	FIBER POSITION	JACKET COLOR	MPO 13-24	PORT NO.	FIBER POSITION	JACKET COLOR
PIN 2	1	B	ORANGE	PIN 1	13	A	BLUE
PIN 1	2	A	BLUE	PIN 2	14	B	ORANGE
PIN 4	3	B	BROWN	PIN 3	15	A	GREEN
PIN 3	4	A	GREEN	PIN 4	16	B	BROWN
PIN 6	5	B	WHITE	PIN 5	17	A	SLATE
PIN 5	6	A	SLATE	PIN 6	18	B	WHITE
PIN 8	7	B	BLACK	PIN 7	19	A	RED
PIN 7	8	A	RED	PIN 8	20	B	BLACK
PIN 10	9	B	VIOLET	PIN 9	21	A	YELLOW
PIN 9	10	A	YELLOW	PIN 10	22	B	VIOLET
PIN 12	11	B	AQUA	PIN 11	23	A	ROSE
PIN 11	12	A	ROSE	PIN 12	24	B	AQUA



MPO CASSETTE, 24F, SM, LC DUP, 9 µm		 Premium Products Proven Performance Competitive Prices
ITEM NO.	ICFC24SLD9	
DWG NO.	PSFC24SLD9	PAGE NO. 2

CUSTOMER CARE / TECHNICAL SUPPORT * CSR@ICC.COM / 888-ASK-4-ICC (275-4422) * 14700 Alondra Blvd., La Mirada, CA 90638 * www.icc.com