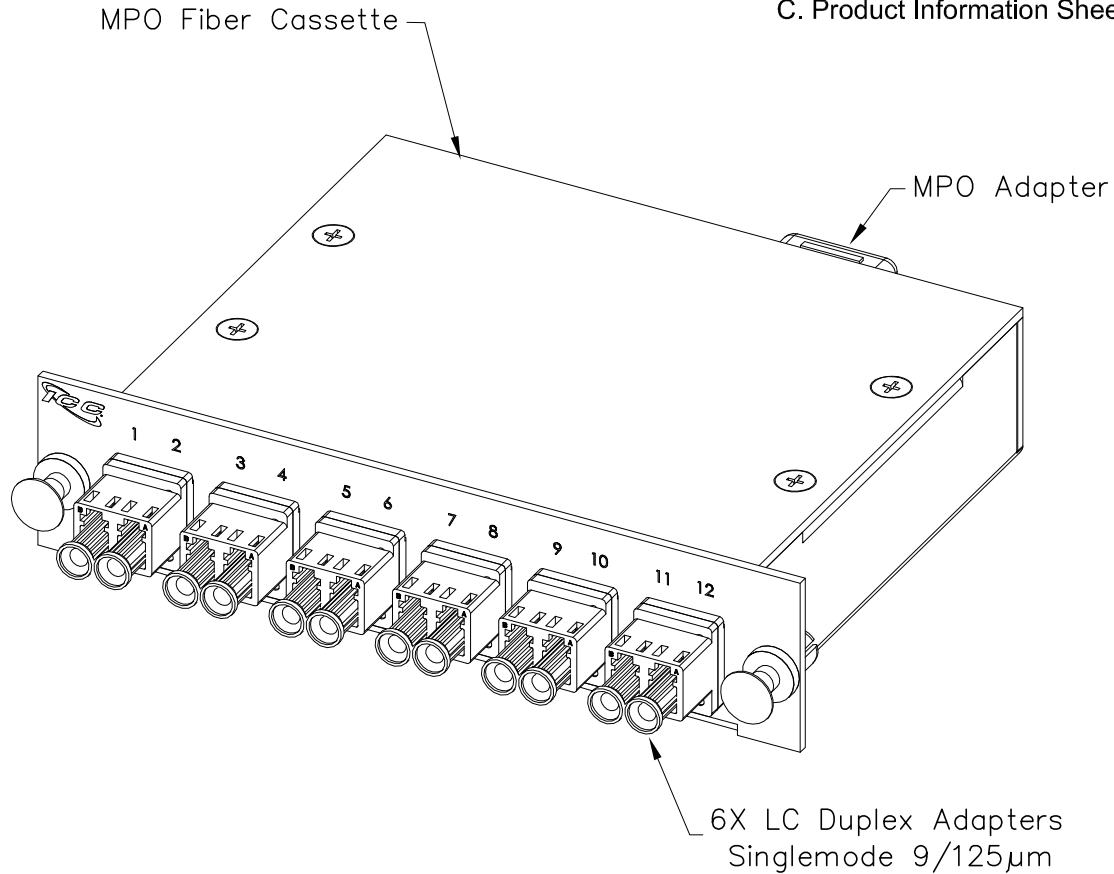


# 12 Fiber Singlemode LC-Duplex MPO Cassette

## PRODUCT SPECIFICATION

### Package includes:

- A. LC-Duplex MPO Cassette, 1 pc
- B. Performance Sheet, 1 pc
- C. Product Information Sheet, 1 pc



### Features and Benefits:

- High quality aluminum material allows for compact and durable cassettes.
- Cassette offers a plug and play solution which saves assembly and termination time.
- Designed to fit ICC's wall mount enclosures (ICFOD) and rack mount enclosures (ICFOR).
- MPO connector reduces insertion loss which enhances channel link performance.
- Suitable for any applications with a need for higher bandwidth with longer distances.
- Cassette allows up to 36 fibers within 1 RMS.
- Available in black.

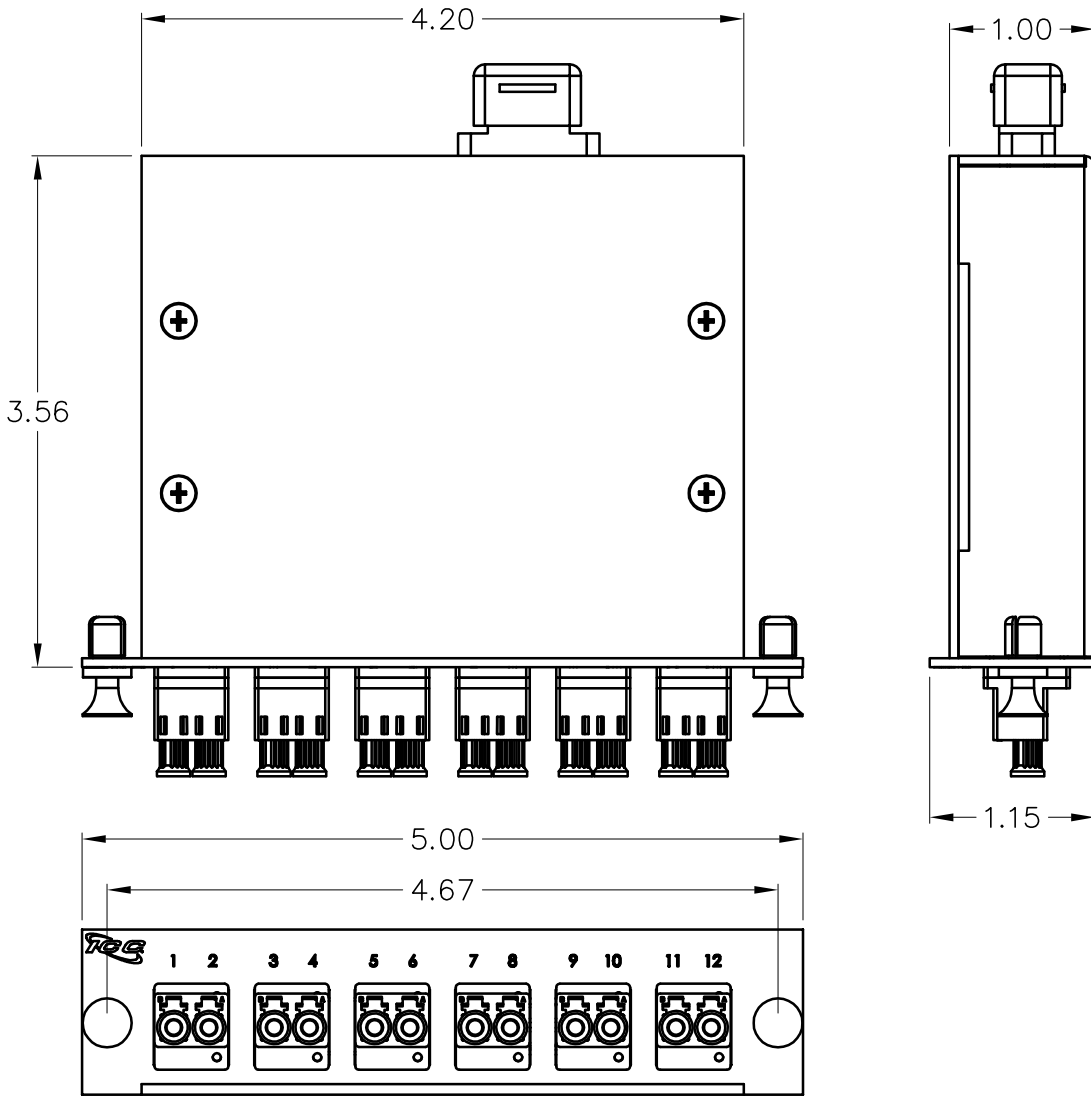
### MPO CASSETTE, 12F, SM, LC DUP, 9 µm

ITEM NO. ICFC12SLD9  
 DWG NO. PSFC12SLD9

REV. A  
 PAGE NO. 1




CUSTOMER CARE / TECHNICAL SUPPORT \* CSR@ICC.COM / 888-ASK-4-ICC (275-4422) \* 14700 Alondra Blvd., La Mirada, CA 90638 \* www.icc.com



**NOTE: UNLESS OTHERWISE SPECIFIED**

1. CASSETTE HOUSING:
  - A. MATERIAL: ALUMINUM ALLOY
  - B. SURFACE FINISHING: BLACK POWDER COAT
2. LC-DUPLEX ADAPTER:
  - A. MATERIAL: ABS
  - B. COLOR: BLUE  
CAP: WHITE
  - C. SLEEVE: CERAMIC
  - D. INSERTION LOSS: <0.2 dB TYPICAL
  - E. OPERATING TEMPERATURE: -20° ~ 70°C
  - F. STORAGE TEMPERATURE: -40° ~ 80°C
3. MPO ADAPTER:
  - A. MATERIAL: POLYBUTYLENE TEREPHTHALATE (PBT)
  - B. COLOR: GREEN
  - C. MATING CYCLES: 1000 MATING CYCLES
  - D. DUST CAP: TPR  
COLOR: BLACK
4. FIBER TYPE: 9/125µm



<b>MPO CASSETTE, 12F, SM, LC DUP, 9 µm</b>		 <b>Premium Products</b> Proven Performance Competitive Prices	
ITEM NO.	ICFC12SLD9		REV. A
DWG NO.	PSFC12SLD9		PAGE NO. 2

CUSTOMER CARE / TECHNICAL SUPPORT \* CSR@ICC.COM / 888-ASK-4-ICC (275-4422) \* 14700 Alondra Blvd., La Mirada, CA 90638 \* www.icc.com