

Opt-X® 1000i RACK-MOUNT ENCLOSURES

1RU, 2RU, 3RU & 4RU



APPLICATION

The Opt-X 1000i Rack-Mount Enclosure allows for inter-connect or cross-connect between backbone cable and active equipment while using minimum rack space in a frame or cabinet setting. The enclosure's features and design allows for easy field termination of connectors, splicing, or pre-terminated plug-n-play solutions. The enclosure is primarily used in fiber applications such as data centers, equipment rooms, telecommunication rooms, etc.



SPECIFICATION

Fiber enclosure shall be available in 1RU, 2RU, 3RU, and 4RU versions to accommodate termination and splicing of fiber. A removable sliding tray shall also be available in 1RU and 2RU enclosures. Adapter bulkhead shall accept SC, LC, ST, and MTP® adapters, and plug-n-play MTP modules/cassettes. 4RU enclosures shall accommodate up to 15 adapter plates for 360 fiber connections. Fiber cable management for routing, storage, and protection shall accept patch cords, tight-buffer fiber, and backbone cables. Rear fiber cable management rings shall be stackable and configurable in ¼, ½, or full ring arrangements. Enclosure shall be constructed of 16-gauge steel with a powder-coated black finish and be mountable in either a 19" or 23" rack or cabinet frame. An optional locking door feature shall be available.

FEATURES

- Sliding tray (in 1RU & 2RU) removes completely from enclosure for ease of field terminations and splicing
- Sliding tray glides (with stop) forward and backward, providing accessibility to front and rear bulkhead after installation
- 15" depth for high density fiber termination and/or splicing
- Stackable and adjustable fiber rings simplify cable organization
- Front saddles pivot for improved patch cord routing
- Removable front and rear covers for better access to interior of enclosure
- Removable rubber grommet allows for pre-terminated fiber trunk install, protects cable, and minimizes dust build-up
- Constructed of 16-gauge steel, powder-coated black

DESIGN CONSIDERATIONS

- Enclosures are sold empty (unloaded)
- Accepts Opt-X adapter plates and/or modules/cassettes
- Optional cable strain relief mounting kit (for installation on side of enclosure or on rack post)
- 19" or 23" enclosure rack mount option (23" 1RU mounting bracket sold separately)
- Protrudes 4.5" from mounting ears to align with Leviton Versi-Duct® Cable Management System
- Capable of storing up to 3 meters of 900 µm tight buffered fiber per adapter
- Adapter plate on 3RU/4RU orients horizontally or vertically for optimal density
- Door lock option available on front, rear, or both
- Enclosure can be preconfigured to customer specifications (see page two)
- Accessory kit consists of cable ties, mounting ear screws, ID label, and spiral wrap (for cable protection on units with a sliding tray)

STANDARDS COMPLIANCE

Meets or exceeds all TIA-568-C.3 requirements

PHYSICAL SPECIFICATIONS

Capacity and dimensions: See page two.

Materials: Constructed of 16-gauge steel, powder-coated black. Plastic parts made using self-extinguishing ABS and polycarbonate materials rated UL 94V-2. Grommet material made of Santoprene®, a thermoplastic rubber elastomer.

COUNTRY OF ORIGIN

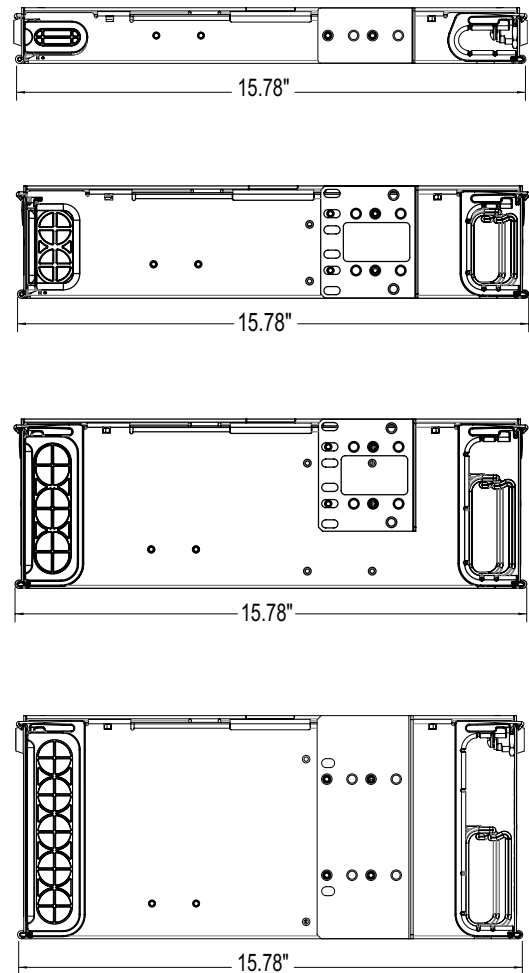
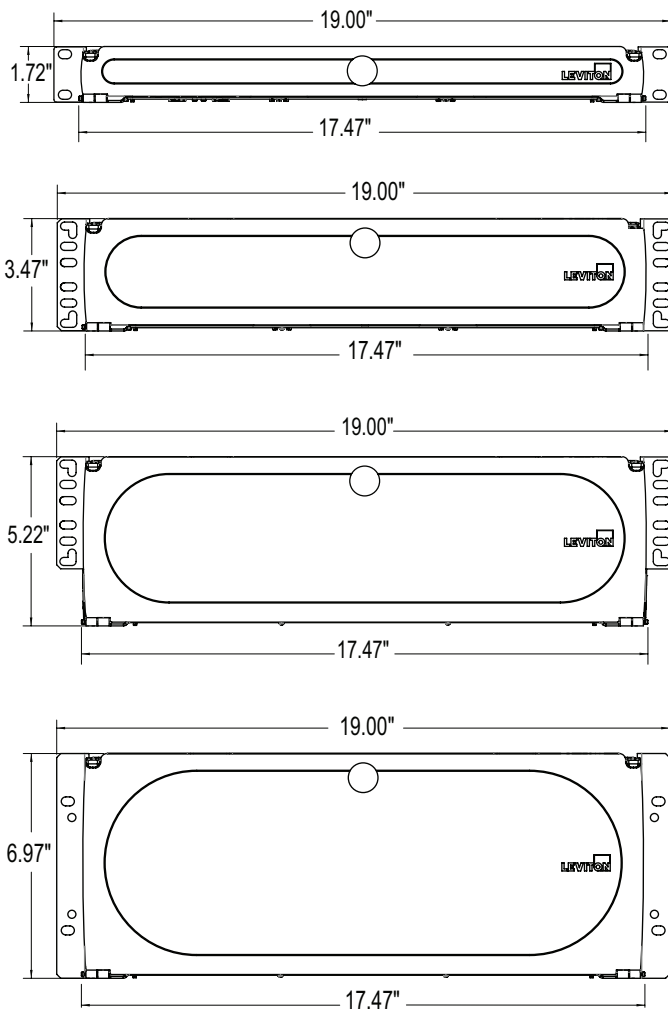
Unites States of America

WARRANTY INFORMATION

For warranty information, go to leviton.com or call 800.722.2072.

ELECTRONIC FILES

For CAD files, typical specs, or technical drawings (.DXF, .DWG, Visio), visit www.leviton.com.



5RxUM-xxx

DENSITY

Rack Unit	Fibers (using LC)	Adapter Plate or MTP Module/Cassette	Splice trays
1RU	72	Up to 3	Up to 3
2RU	144	Up to 6	Up to 6
3RU	216	Up to 9 (horizontal adapter plate/module orientation)	Up to 12
3RU (non-standard)	288	Up to 12 (vertical adapter plate/module orientation)	Up to 12
4RU	288	Up to 12 (vertical adapter plate/module orientation)	Up to 12
4RU (non-standard)	360	Up to 15 (horizontal adapter plate/module orientation)	Up to 12

COMPONENT SPECIFICATIONS
5RxUM-xxx



5RxUM-xxx

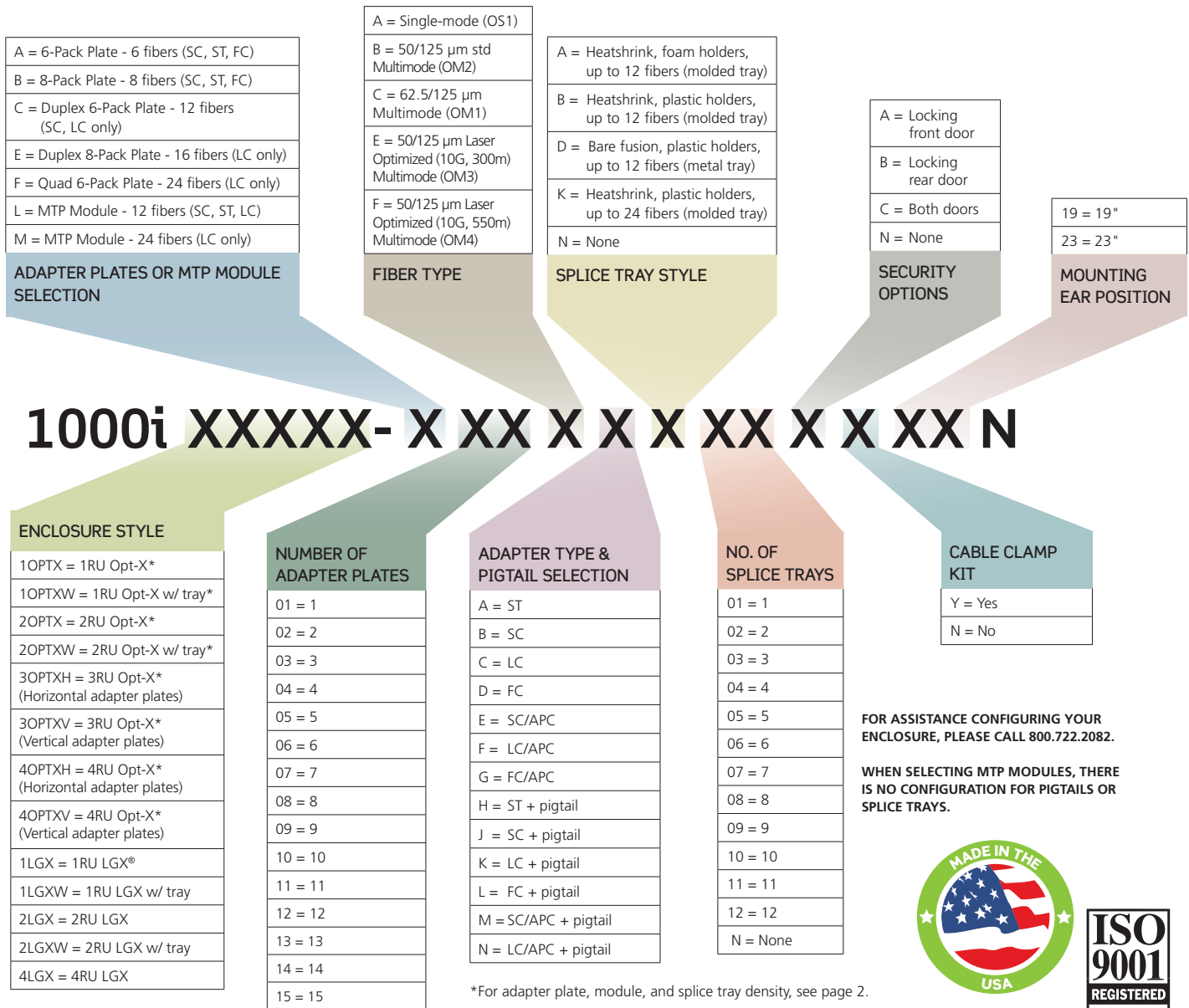
OPT-X® 1000i RACK-MOUNT ENCLOSURES	
DESCRIPTION	PART NO.
Opt-X 1000i, 1RU Enclosure, Empty	5R1UM-F03
Opt-X 1000i, 1RU Enclosure, Empty, with sliding tray	5R1UM-S03
Opt-X 1000i, 2RU Enclosure, Empty	5R2UM-F06
Opt-X 1000i, 2RU Enclosure, Empty, with sliding tray	5R2UM-S06
Opt-X 1000i, 3RU Enclosure, Empty	5R3UM-F09
Opt-X 1000i, 3RU Enclosure, Empty	5R3UM-F12
Opt-X 1000i, 4RU Enclosure, Empty	5R4UM-F12
Opt-X 1000i, 4RU Enclosure, Empty	5R4UM-F15

ACCESSORIES	
DESCRIPTION	PART NO.
Universal Opt-X Clamp Kit (for enclosure mounting)	5RCMP-KIT
Universal Opt-X Clamp Kit (for rack post mounting)	5RCMR-KIT
Fiber Cable Management ¼ Ring Kit (Bag of four ¼ rings)	5R100-14R
1RU Enclosure 23" Rack and Cabinet Mounting Bracket	5R1RU-023
Lock and Key	5L000-KAL

Accessory kit consists of cable ties, mounting screws, ID label, and spiral wrap (for cable protection on units with a sliding tray)

MODEL NUMBER CONFIGURATOR - OPT-X 1000i ENCLOSURES

Example: **1000i 1OPTX-C03EKB3CY19N**; 1RU Opt-X Enclosure pre-configured with (3) 6-pack plates loaded with duplex LC adapters (aqua color) pre-terminated with color-coded pigtails, (3) heat shrink style injection-molded splice trays (for up to 12 fiber splicing), locking feature on both doors, with cable clamp kit, and 19" mounting ears [CONFIGURATION FOR 36 FIBERS].



FOR ASSISTANCE CONFIGURING YOUR ENCLOSURE, PLEASE CALL 800.722.2082.

WHEN SELECTING MTP MODULES, THERE IS NO CONFIGURATION FOR PIGTAILS OR SPLICE TRAYS.



*For adapter plate, module, and splice tray density, see page 2.

G11 3722