

## Opt-X® 1000i RACK-MOUNT ENCLOSURES 1RU, 2RU, 3RU & 4RU



### APPLICATION

The Opt-X 1000i Rack-Mount Enclosure allows for inter-connect or cross-connect between backbone cable and active equipment while using minimum rack space in a frame or cabinet setting. The enclosure's features and design allows for easy field termination of connectors, splicing, or pre-terminated plug-n-play solutions. The enclosure is primarily used in fiber applications such as data centers, equipment rooms, telecommunication rooms, etc.



### SPECIFICATION

Fiber enclosure shall be available in 1RU, 2RU, 3RU, and 4RU versions to accommodate termination and splicing of fiber. A removable sliding tray shall also be available in 1RU and 2RU enclosures. Adapter bulkhead shall accept SC, LC, ST, and MTP® adapters, and plug-n-play MTP modules/cassettes. 4RU enclosures shall accommodate up to 15 adapter plates for 360 fiber connections. Fiber cable management for routing, storage, and protection shall accept patch cords, tight-buffer fiber, and backbone cables. Rear fiber cable management rings shall be stackable and configurable in ¼, ½, or full ring arrangements. Enclosure shall be constructed of 16-gauge steel with a powder-coated black finish and be mountable in either a 19" or 23" rack or cabinet frame. An optional locking door feature shall be available.

### FEATURES

- Sliding tray (in 1RU & 2RU) removes completely from enclosure for ease of field terminations and splicing
- Sliding tray glides (with stop) forward and backward, providing accessibility to front and rear bulkhead after installation
- 15" depth for high density fiber termination and/or splicing
- Stackable and adjustable fiber rings simplify cable organization
- Front saddles pivot for improved patch cord routing
- Removable front and rear covers for better access to interior of enclosure
- Removable rubber grommet allows for pre-terminated fiber trunk install, protects cable, and minimizes dust build-up
- Constructed of 16-gauge steel, powder-coated black

### DESIGN CONSIDERATIONS

- Enclosures are sold empty (unloaded)
- Accepts Opt-X adapter plates and/or modules/cassettes
- Optional cable strain relief mounting kit (for installation on side of enclosure or on rack post)
- 19" or 23" enclosure rack mount option (23" 1RU mounting bracket sold separately)
- Protrudes 4.5" from mounting ears to align with Leviton Versi-Duct® Cable Management System
- Capable of storing up to 3 meters of 900 µm tight buffered fiber per adapter
- Adapter plate on 3RU/4RU orients horizontally or vertically for optimal density
- Door lock option available on front, rear, or both
- Enclosure can be preconfigured to customer specifications (see page two)
- Accessory kit consists of cable ties, mounting ear screws, ID label, and spiral wrap (for cable protection on units with a sliding tray)

### STANDARDS COMPLIANCE

Meets or exceeds all TIA-568-C.3 requirements

### PHYSICAL SPECIFICATIONS

**Capacity and dimensions:** See page two.

**Materials:** Constructed of 16-gauge steel, powder-coated black. Plastic parts made using self-extinguishing ABS and polycarbonate materials rated UL 94V-2. Grommet material made of Santoprene®, a thermoplastic rubber elastomer.

### COUNTRY OF ORIGIN

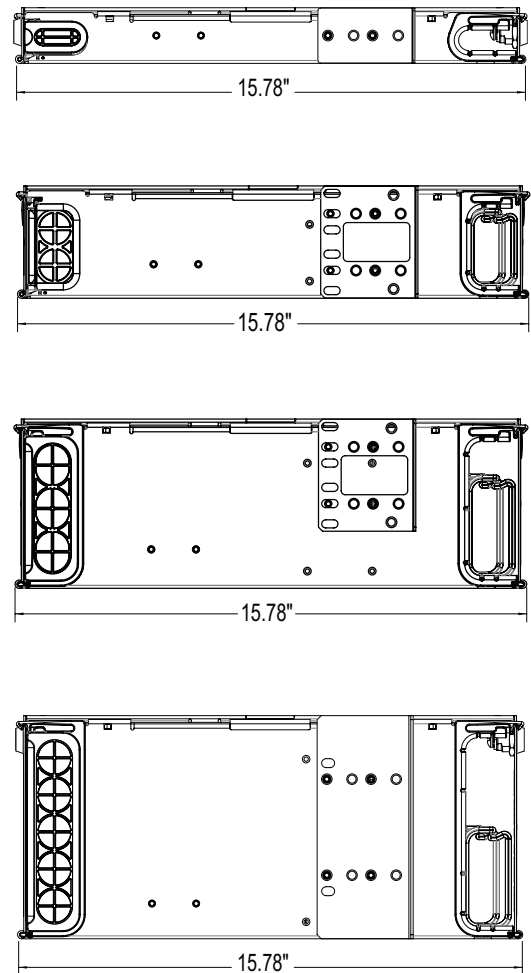
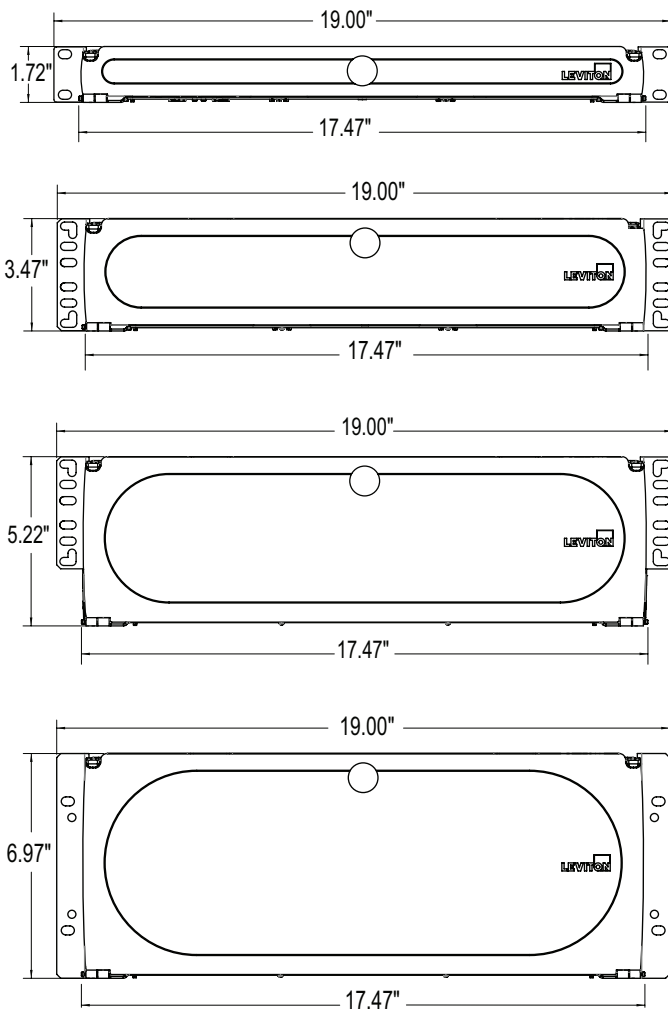
Unites States of America

**WARRANTY INFORMATION**

For warranty information, go to [leviton.com](http://leviton.com) or call 800.722.2072.

**ELECTRONIC FILES**

For CAD files, typical specs, or technical drawings (.DXF, .DWG, Visio), visit [www.leviton.com](http://www.leviton.com).



5RxUM-xxx

**DENSITY**

Rack Unit	Fibers (using LC)	Adapter Plate or MTP Module/Cassette	Splice trays
1RU	72	Up to 3	Up to 3
2RU	144	Up to 6	Up to 6
3RU	216	Up to 9 (horizontal adapter plate/module orientation)	Up to 12
3RU (non-standard)	288	Up to 12 (vertical adapter plate/module orientation)	Up to 12
4RU	288	Up to 12 (vertical adapter plate/module orientation)	Up to 12
4RU (non-standard)	360	Up to 15 (horizontal adapter plate/module orientation)	Up to 12



**OPT-X® 1000i RACK-MOUNT ENCLOSURES**

DESCRIPTION	PART NO.
Opt-X 1000i, 1RU Enclosure, Empty	5R1UM-F03
Opt-X 1000i, 1RU Enclosure, Empty, with sliding tray	5R1UM-S03
Opt-X 1000i, 2RU Enclosure, Empty	5R2UM-F06
Opt-X 1000i, 2RU Enclosure, Empty, with sliding tray	5R2UM-S06
Opt-X 1000i, 3RU Enclosure, Empty	5R3UM-F09
Opt-X 1000i, 3RU Enclosure, Empty	5R3UM-F12
Opt-X 1000i, 4RU Enclosure, Empty	5R4UM-F12
Opt-X 1000i, 4RU Enclosure, Empty	5R4UM-F15

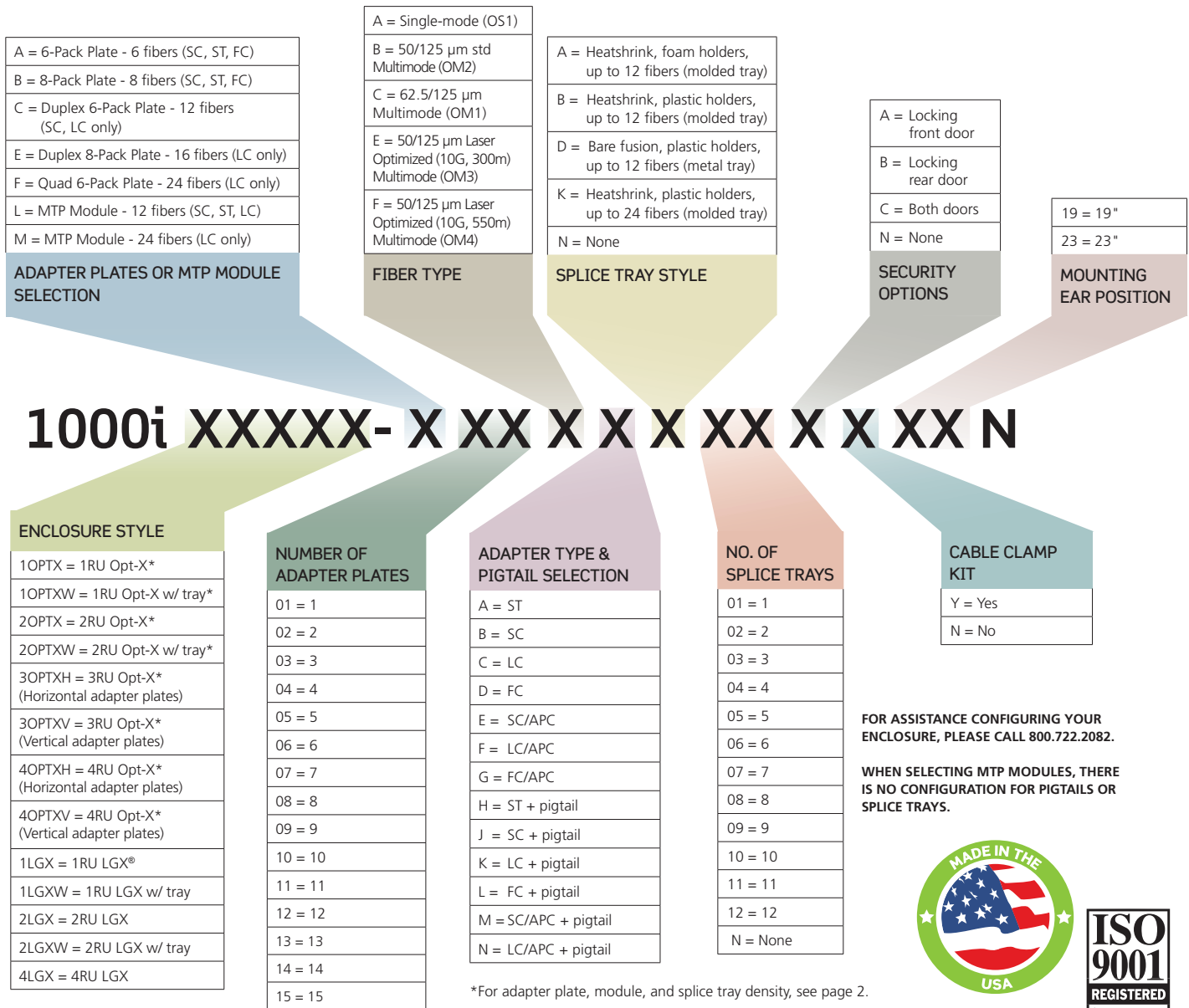
**ACCESSORIES**

DESCRIPTION	PART NO.
Universal Opt-X Clamp Kit (for enclosure mounting)	5RCMP-KIT
Universal Opt-X Clamp Kit (for rack post mounting)	5RCMR-KIT
Fiber Cable Management ¼ Ring Kit (Bag of four ¼ rings)	5R100-14R
1RU Enclosure 23" Rack and Cabinet Mounting Bracket	5R1RU-023
Lock and Key	5L000-KAL

Accessory kit consists of cable ties, mounting screws, ID label, and spiral wrap (for cable protection on units with a sliding tray)

**MODEL NUMBER CONFIGURATOR - OPT-X 1000i ENCLOSURES**

Example: **1000i 1OPTX-C03EKB3CY19N**; 1RU Opt-X Enclosure pre-configured with (3) 6-pack plates loaded with duplex LC adapters (aqua color) pre-terminated with color-coded pigtails, (3) heat shrink style injection-molded splice trays (for up to 12 fiber splicing), locking feature on both doors, with cable clamp kit, and 19" mounting ears [CONFIGURATION FOR 36 FIBERS].



\*For adapter plate, module, and splice tray density, see page 2.