



Wiremold

OFR Series Overfloor Raceway System

Multiple Services in a Low Profile Overfloor Raceway

Wiremold® OFR Series Overfloor Raceway System provides four-channels of capacity and access to a wide range of power, communications, and A/V connectivity options in the smallest, lowest, narrowest, ADA compliant profile available in overfloor raceway systems. This system installs over existing floor coverings and is both tamper-resistant and installer-friendly, making it an ideal solution for relocatable or permanent installations where access through floors and ceilings is not an option. There are also transition fittings to feed OFR Series Raceway from Wiremold wall-mounted raceway systems and Vista Architectural Columns. OFR Series Raceway accepts Wiremold Open System device plates that provide connectivity to a wide range of devices from leading communication and A/V providers.



OFR Series Raceway provides access to power, A/V, and communication services to open-space areas in an ADA compliant low profile design.

FEATURES & BENEFITS

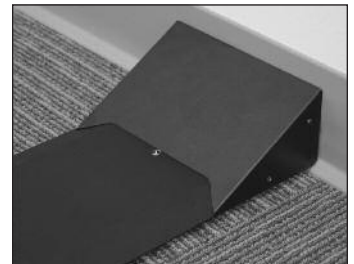
- **Lowest profile overfloor raceway available.** Smaller, narrower, lower raceway profile reduces potential trip hazards while also being installer friendly to speed installations.
- **Installs in open space areas.** Provides power, communication, and A/V wiring to areas where in-floor or ceiling distribution are not accessible options.
- **Multiple channel base.** Four-channel raceway provides space for multiple combinations of power, communication and A/V to be provided through a single raceway installation.
- **Black powder coat finish.** Durable textured finish resists scuffing and scratches, is paintable and blends with most decors.
- **Multiple options for communication and A/V connectivity.** OFR Series Raceway accepts Wiremold Open System device plates that provide connectivity to a wide range of devices from leading communication and A/V providers.
- **Attaches directly to floor covering.** Works with carpet, tile, wood, etc. so there is no need to remove or alter existing floor coverings. Ideal for both temporary and permanent installations.
- **Multiple transition options.** Transition fittings are available to feed OFR Series Raceway from Wiremold DS4000™, 4000®, and 2400 Series™ wall-mounted raceway systems and also from Vista Architectural Columns.
- **Tamper-resistant system.** Raceway cover is difficult to remove without the proper tools, discouraging unwanted access to raceway-provided services.
- **Meets ADA Accessibility Guidelines.** Low profile, unobtrusive design meets the ADA Accessibility Guidelines that pertain to ADA Standard 4.5 which addresses changes in floor and ground surface levels.
- **cETLus Listed.**



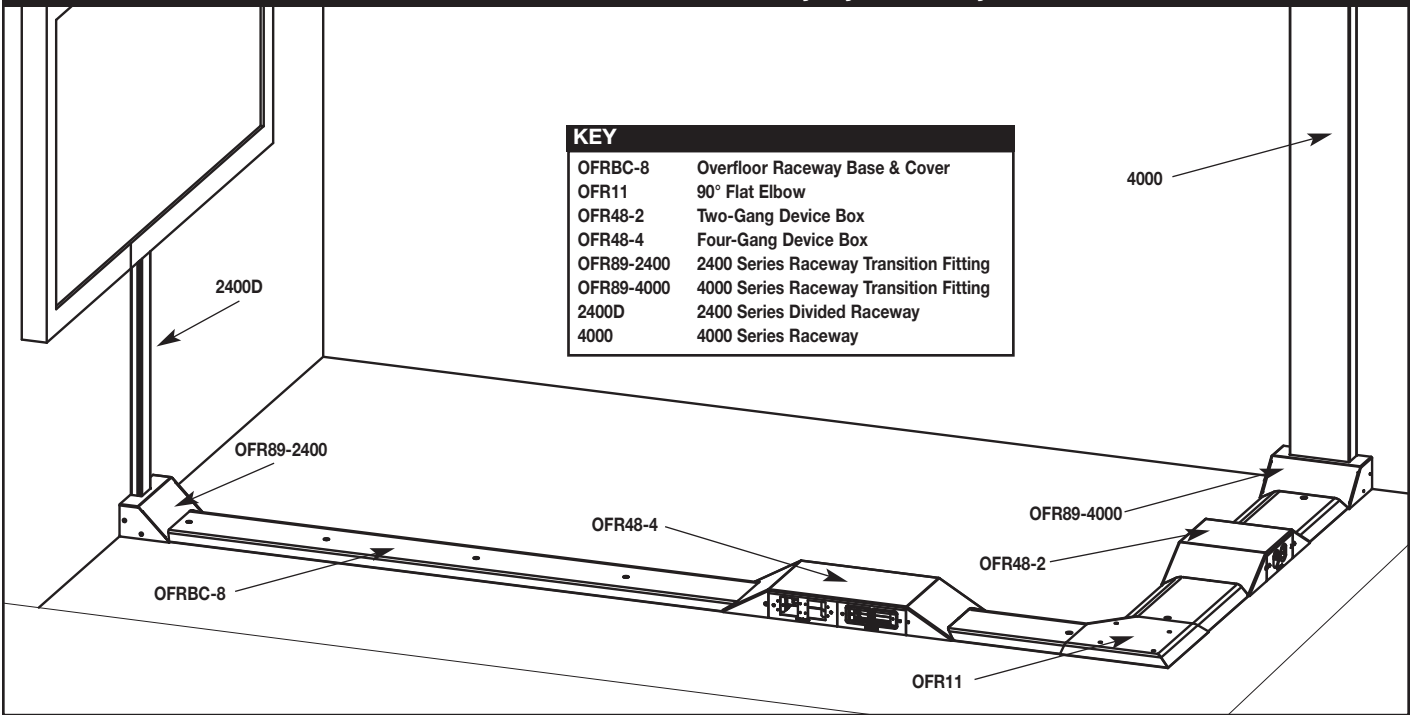
OFR Series Overfloor Raceway 4-Gang Device Box.



OFR Series Overfloor Raceway transition fittings for DS4000 Series Raceway and through a wall.



OFR Series Overfloor Raceway System Layout



OFR Series Overfloor Raceway Wire Fill Capacities for Power*

WIRE SIZE THHN/THWN	O.D. Inches	O.D. [mm]	WIRE CROSS-SECTIONAL AREA	# OF WIRES PER OUTER CHANNEL (40% FILL)	# OF WIRES PER OUTER CHANNEL w/OFR1 (40% FILL)	# OF WIRES PER OUTER CHANNEL w/OFR9 (40% FILL)	# OF WIRES PER INNER CHANNEL (40% FILL)
14 AWG	0.111	[2.8]	0.010	18	13	10	19
12 AWG	0.130	[3.3]	0.013	13	10	7	14
10 AWG	0.164	[4.2]	0.021	8	3	2	9
8 AWG	0.216	[5.5]	0.037	4	4	3	5

* For additional information refer to Technical Section of Wiremold Product Guide.

OFR Series Overfloor Raceway Wire Fill Capacities for Communications

	CABLE/WIRE SIZE	O.D. (Approx Dia.) Inches	O.D. (Approx Dia.) [mm]	WIRE CROSS-SECTIONAL AREA	# OF CABLES PER OUTER CHANNEL (40% FILL)	# OF CABLES PER OUTER CHANNEL w/OFR1 (40% FILL)	# OF CABLES PER OUTER CHANNEL w/OFR9 (40% FILL)	# OF CABLES PER INNER CHANNEL (40% FILL)
UNSHIELDED TWISTED PAIR	4-Pair, 24 AWG, Cat 3	0.190	[4.8]	0.028	6	4	3	6
	4-Pair, 24 AWG, Cat 5e	0.210	[5.3]	0.035	5	3	2	5
	4-Pair, 24 AWG, Cat 6	0.250	[6.4]	0.049	3	2	2	3
	4-Pair, 24 AWG, Cat 6a	0.354	[9.0]	0.098	1	1	1	2
COAXIAL	RG6/U	0.270	[6.9]	0.057	3	2	1	3
FIBER	ZipCord	0.118 x 0.236	[3 x 6]	0.025	7	5	3	7
	Round 4-Strand Fiber	0.187	[4.7]	0.027	6	4	3	6
	Round 6-Strand Fiber	0.256	[6.5]	0.051	3	2	1	3



Four-channel base of OFR Series Overfloor Raceway provides channels for multiple combinations of services.

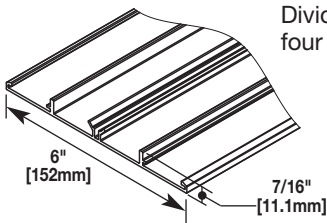
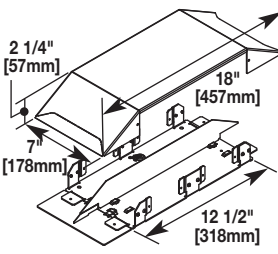
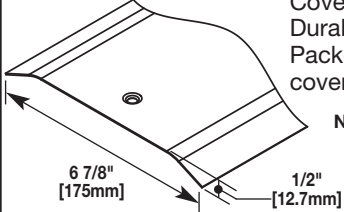
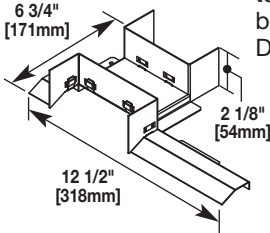
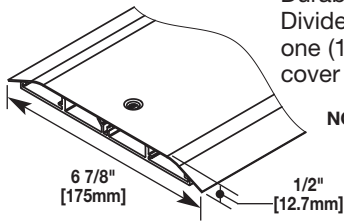
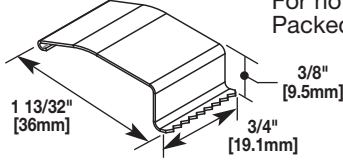
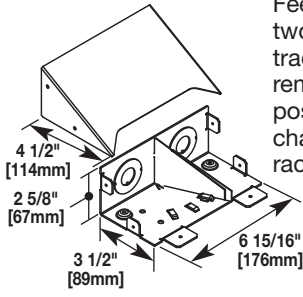
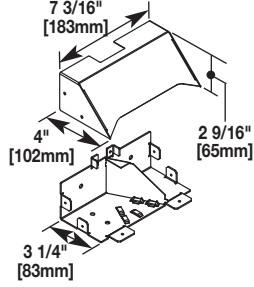
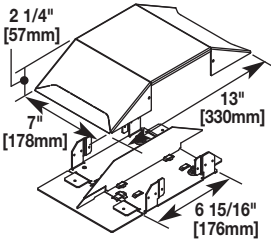
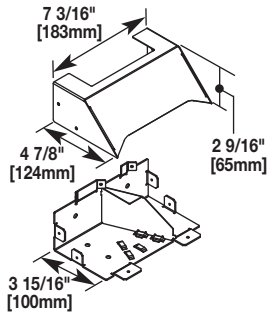


OFR Series Raceway features the lowest profile available in overfloor raceway systems.

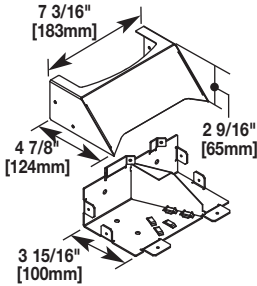
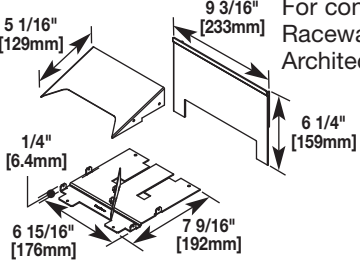
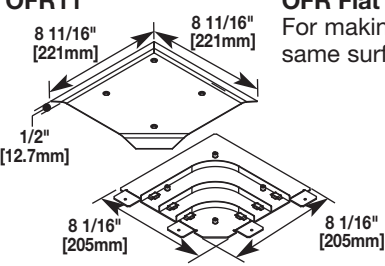
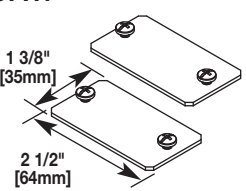
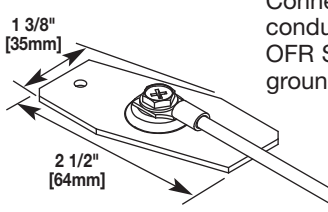
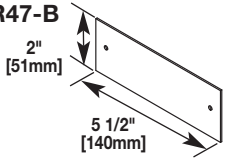
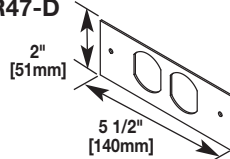
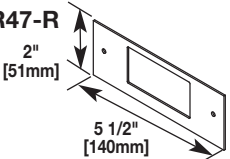
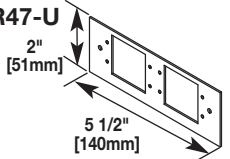
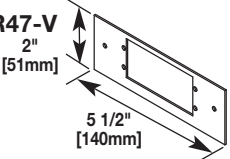
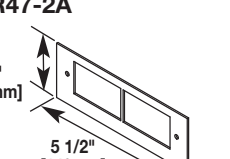



Tamper-resistant feature prevents unwanted access to raceway-provided services.

OFR Series Overfloor Raceway System Ordering Information

Catalog No./Item	Description/Specifications	Catalog No./Item	Description/Specifications
<p>OFRB-8</p> 	<p>Overfloor Raceway Base – Base: 0.080" [2.0mm] aluminum. Divided into four channels. Packed four (4) 8' [2.4m] lengths per carton.</p> <p>NOTE: Not recommended for use in high traffic areas.</p>	<p>OFR48-4</p> 	<p>Overfloor Raceway 4-Gang Box – Divided four-gang device box. Allows multiple services (power, communication, A/V) at a single point-of-use. Side facing device mounting provides low profile, with space for large cable bend radius. Accepts OFR Series device plates. Removable divider can be aligned with any of the raceway channels.</p>
<p>OFRC-8</p> 	<p>Overfloor Raceway Cover – Cover: 0.040" [1.0mm] steel. Durable black powder coat finish. Packed four (4) 8' [2.4m] lengths of cover per carton.</p> <p>NOTE: Not recommended for use in high traffic areas.</p>	<p>OFR48-4GX</p> 	<p>OFR Crossover Kit – Allows access to power and communication on both sides of OFR48-4 4-Gang Device Box.</p>
<p>OFRBC-8</p> 	<p>Overfloor Raceway Base & Cover – Cover: 0.040" [1.0mm] steel. Base: 0.080" [2.0mm] aluminum. Durable black powder coat finish. Divided into four channels. Packed one (1) 8' [2.4m] length of base and cover per carton.</p> <p>NOTE: Not recommended for use in high traffic areas.</p>	<p>OFRWC</p> 	<p>Overfloor Raceway Wire Clips – For holding conductors in place. Packed twelve (12) per pack.</p>
<p>OFR10A</p> 	<p>Overfloor Raceway Entrance End Fitting – Feeds OFR Series Raceway. Has two (2) concentric 1/2" and 1 1/4" trade size KOs on end. Includes removable divider that can be positioned to feed any raceway channel. Can be used to feed raceway from wall or into furniture.</p>	<p>OFR89-2400</p> 	<p>OFR 2400 Raceway Transition – For connecting vertical runs of 2400 & 2400D Series Raceway with OFR Series Raceway. Includes removable divider that can be positioned to feed any raceway channel.</p>
<p>OFR48-2</p> 	<p>Overfloor Raceway 2-Gang Box – Divided two-gang device box. Allows multiple services (power, communication, A/V) at a single point-of-use. Side facing device mounting provides low profile, with space for large cable bend radius. Accepts OFR Series device plates. Removable divider can be aligned with any of the raceway channels.</p>	<p>OFR89-4000</p> 	<p>OFR 4000 Raceway Transition – For connecting vertical runs of 4000 Series Raceway with OFR Series Raceway. Includes removable divider that can be positioned to feed any raceway channel.</p>

OFR Series Overfloor Raceway System Ordering Information (continued)

Catalog No./Item	Description/Specifications
OFR89-DS4000 	OFR DS4000 Raceway Transition – For connecting vertical runs of DS4000 Series Raceway with OFR Series Raceway. Includes removable divider that can be positioned to feed any raceway channel.
OFR89-VIS 	OFR Large Vista Transition – For connecting OFR Series Raceway to Vista Point5 Architectural Columns.
OFR11 	OFR Flat Elbow – For making right angle turns on the same surface.
OFR1 	OFR Coupling – Joins lengths of OFRB-8 OFR Series Raceway Base together. Sold in pairs.
OFR9 	OFR Grounding Clip – Connects equipment grounding conductor to provide ground to OFR Series Raceway. No. 10 ground screw provided.
OFR47-B 	OFR Blank Device Plate – For covering unused compartments in OFR48-2 and OFR48-4 Device Boxes.
OFR47-D 	OFR Duplex Device Plate – For covering duplex style devices in OFR48-2 and OFR48-4 Device Boxes. Accepts 106 Frame.
OFR47-R 	OFR Decorator Device Plate – For covering rectangular decorator style devices in OFR48-2 and OFR48-4 Device Boxes.
OFR47-U 	OFR Extron® MAAP Device Plate – Device plate that will accept up to four (4) Extron® Electronics MAAP style plates in OFR48-2 and OFR48-4 Device Boxes.
OFR47-V 	OFR Extron® AAP Device Plate – Device plate that will accept two (2) Extron® Electronics AAP single space modules.
OFR47-2A 	OFR Communications Device Plate – Device plate that will accept up to four (4) ports of communications devices. Includes adapters for Ortronics® TracJack, Series II, Pass & Seymour® Activate inserts and Wiremold Open System communication modules.
OFR47-U2A 	OFR Extron® MAAP-2A Combo Device Plate – Combination device plate that will accept up to two (2) Extron® Electronics MAAP style plates and up to two (2) ports of communications devices. Includes adapters for Ortronics® TracJack, Series II, Pass & Seymour® Activate inserts and Wiremold Open System communication modules.



Wiremold

WIREMOLD

U.S. and International:

60 Woodlawn Street • West Hartford, CT 06110
 1-800-621-0049 • FAX 860-232-2062 • Outside U.S. 860-233-6251

Canada:

570 Applewood Crescent • Vaughan, Ontario L4K 4B4
 1-800-723-5175 • FAX 905-738-9721

Sold by:

