



Commercial Audio Products

# AMC105-2 DUAL ZONE OMNIDIRECTIONAL DYNAMIC MICROPHONE

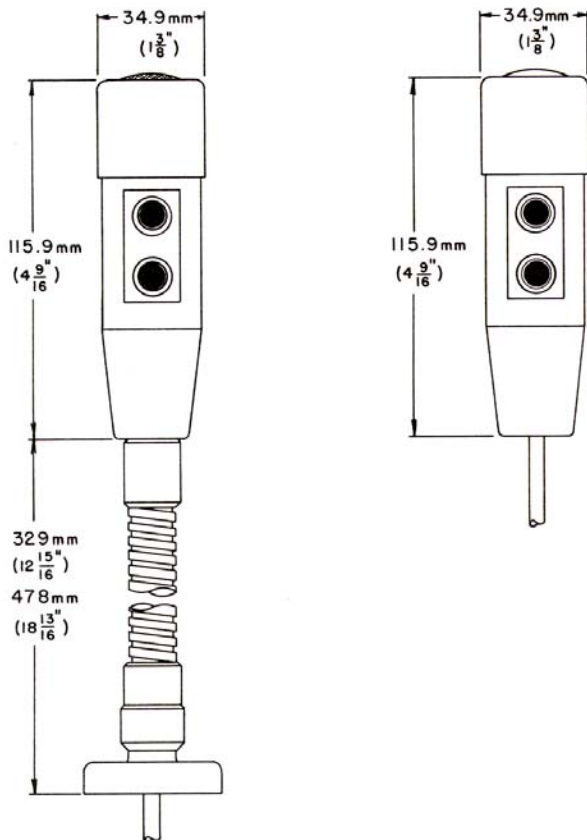
## Description

The AMC105-2 is a dual zone omnidirectional microphone designed especially for fixed or gooseneck mounting in quality sound installations. A smooth, wide band frequency response with a slight intentional "presence" boost at 2000 Hz gives a "natural", crisp, highly intelligible sound. Two DPDT sealed micro switches, with color coded buttons for easy identification, permits paging in two areas, and an all-call features obtained by depressing both buttons simultaneously. The AMC105-2 is extremely rugged and reliable, and will stand up under the most strenuous handling conditions to provide years of dependable service.

The AMC105-2 is supplied with a 5/8-27 mounting thread, 2.1m (7ft.) of rugged, synthetic jacketed four conductor, two shielded cable. Black Cyclocap cap, chrome plated screen and black Cyclocap housing. A removable set screw is used to secure the front cap to the microphone housing and microphone to the gooseneck.

The AMC105-2 is available in three models.

- AMC105-2                      Low Impedance, wired normally open.
- AMC105-2-13              AMC105-2 on a 330mm (13") gooseneck.
- AMC105-2-19              AMC105-2 on a 483mm (19") gooseneck.



## ASTATIC Quality

All AMC105-2 microphones are audio tested and inspected prior to shipment. Our absolute commitment to quality insures that ASTATIC microphones remain the **Best Value** in today's competitive industry.

## Operation and Maintenance

The ASTATIC AMC105-2 can be cleaned if the housing becomes soiled by using a cloth dampened with isopropyl alcohol. Insure power is removed prior to doing so.

## User Techniques and Applications

The AMC105-2 microphone, because of its professional sound and rugged construction, is an excellent choice for applications requiring dual zone paging and fixed or gooseneck mounting. This would include fast food outlets, supermarkets, restaurants, paging stations, factories, warehouses, etc.





## Specifications

### Generating Element:

Dynamic

### Polar Pattern:

Omnidirectional

### Frequency Response:

50 Hz - 13 kHz

### Output Level:

-76 dB (0dB = 1 volt / microbar)  
1.58mV/PA

### Impedance:

Low (400 ohms nominal)

### Cable:

2.1m (7ft.) of four connector, two shielded, permanently attached, rugged jacketed cable.

### Switch:

DPDT professional sealed micro switches, operated with simple push buttons.

### Dimensions:

34.9mm (1 3/8") diameter x 115.9mm (4 9/16")

### Weight:

198.5 grams (7oz.)

### Finish:

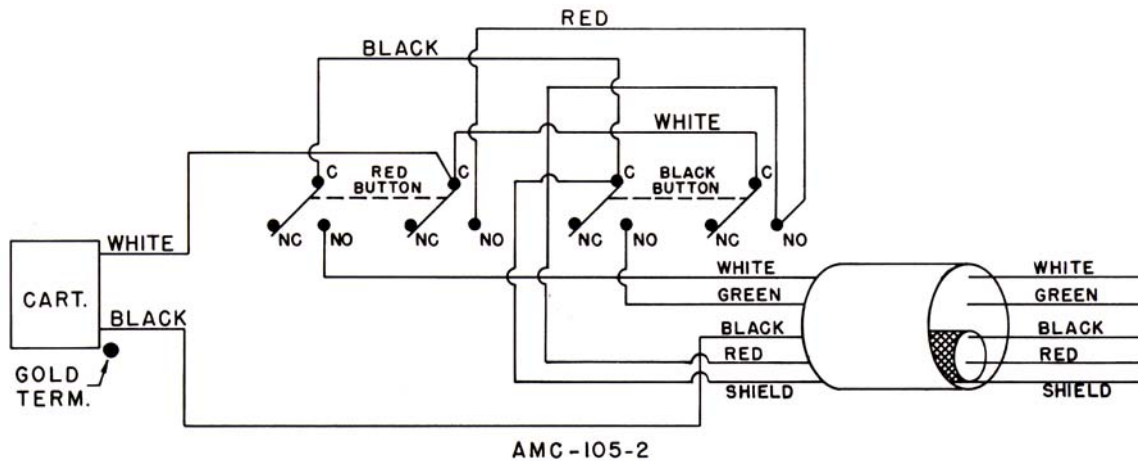
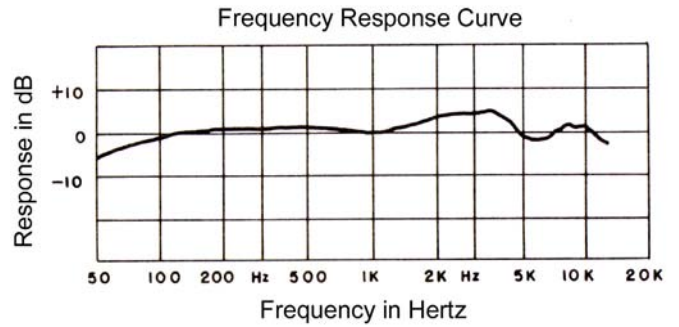
Black Cylolac cap, chrome plated screen, black cylolac housing.

### Phasing:

Positive pressure (movement of the diaphragm inward) will generate a positive voltage on the red cable lead with respect to the black cable lead.

### Cable connections:

Connect cable leads Red and Black to balanced line input, White and Shield (red button) for relay control for one zone, Green and Shield (black button) for relay control for the other zone.



### TWO-YEAR LIMITED WARRANTY

Omnitronics, LLC ("ASTATIC") hereby warrants that this product will be free of defects in material and workmanship for a period of two years from the date of purchase. In the unlikely event a defect occurs ASTATIC will, at its option, either repair or replace with a new unit of equal or greater value. You should retain proof of purchase to validate the purchase date and return it with any warranty claim. Return warranty claims carefully packed, insured and prepaid to the Service Department at the address listed below.

This warranty excludes exterior finish or appearance, damage from abuse, misuse of the product, use contrary to ASTATIC's instructions or unauthorized repair. All implied warranties or merchantability or fitness for a particular purpose are hereby disclaimed and ASTATIC hereby disclaims liability for incidental, special or consequential damages resulting from the use or unavailability of this product.

This warranty gives you specific legal rights and you may also have other rights which vary from state to state. Some states do not allow the exclusion or limitation of incidental or consequential damages or limitations on how long an implied warranty lasts, so the above exclusions and limitations may not apply to you. **ALL RETURNS MUST BE PRE-APPROVED. PLEASE CALL 440-593-1111 FOR A RETURN AUTHORIZATION NUMBER.**

Note: No other warranty, written or oral is authorized by Omnitronics, LLC.