

# 905R

## Line-cardioid Condenser Mini-gooseneck Microphone

### Description

The Astatic 905R is a line-cardioid, quick-mount, miniature-gooseneck condenser microphone designed for speech and vocal pick-up. The line-cardioid polar pattern (Locus™ technology) is engineered to attenuate unwanted sources outside of the +/- 45 degree acceptance angle while effectively "zeroing-in" on the desired speaker. Astatic's Locus™ technology provides a significant improvement over other line-cardioid microphones due to diaphragm size and low-noise electronics.

The 905R is appropriate for applications such as boardrooms, courtrooms, house of worship and anywhere a gooseneck microphone with optimal distance pick-up is needed. Locus™ technology allows the installer to use the 905R in place of longer miniature-gooseneck microphones without sacrificing performance. It is the perfect solution for the user who prefers not to be distracted by an obtrusive transducer.

The 905R is a commercial-grade microphone featuring an all-metal body. The 8mm steel memory-flex gooseneck and ultra-quiet movement provide for worry-free, life-long microphone operation. Special attention has been taken to design the 905R with improved RF immunity to greatly reduce susceptibility to radio interference from GSM based cell phones, PDA/cell phones with walkie-talkie capability and other similar devices.

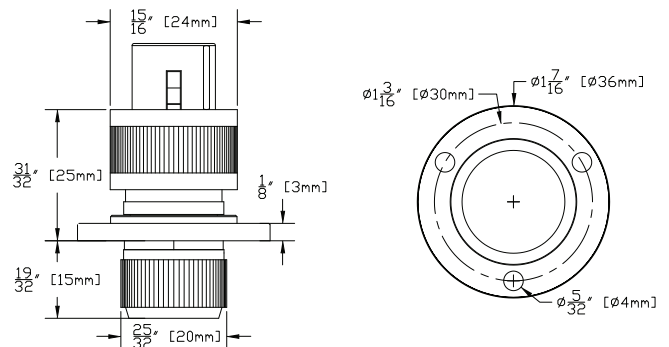
### Features

- Line-cardioid polar pattern
- RF (radio frequency) resistant architecture
- 8mm flex pipe with strong positioning memory and silent operation
- Quick-mount format
- Balanced, transformerless output circuitry
- Non-reflective matte-black finish
- Included XLR-F type locking flange mount
- Included windscreen



### FM-2A Locking Flange Mount Installation

1. Mark the center of the mounting location. Be sure to check the underside of the surface for obstructions.
2. Using a 7/8" hole saw or drill bit, cut the centered hole for the cable and bottom of the mount to pass through the surface.
3. Fit the mount into the hole so that the flange sits flat on the surface. Mark the three mounting holes around the flange.
4. Remove the mount from the hole and pre-drill the marked mounting holes for screws appropriate for the installation.
5. Make all final audio connections to the XLR connector.
6. Mount the FM-2A to the surface.



# 905R

## Line-cardioid Condenser Mini-gooseneck Microphone



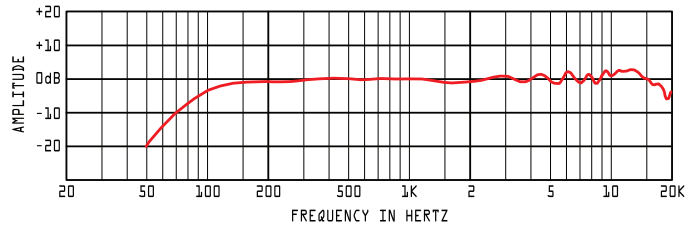
### Specifications†

<b>Operating Principle</b> .....	Condenser
<b>Polar Pattern</b> .....	Line-cardioid
<b>Frequency Response</b> .....	70Hz -18KHz
<b>Sensitivity</b> .....	-30dBV (32mV) @ 1 Pa
<b>Impedance</b> .....	300 ohms
<b>Maximum SPL</b> .....	126dB, 1% T.H.D., 1KHz
<b>Self Noise</b> .....	18dBA
<b>Power Requirements</b> .....	P12, P24, P48, 2mA
<b>Connector</b> .....	3-pin male XLR type
<b>Polarity</b> .....	Positive pressure on diaphragm corresponds to positive voltage on pin 2 relative to pin 3.
<b>Finish</b> .....	Durable matte-black urethane
<b>Dimensions</b> .....	(See drawing)
<b>Net Weight [Mass]</b> .....	4.3oz [0.12Kg]
<b>Packaged Weight [Mass]</b> .....	8.0oz [0.23Kg]
<b>RF Immunity</b> .....	Meets or exceeds EN55103-2, E1, E2, E3 and E4

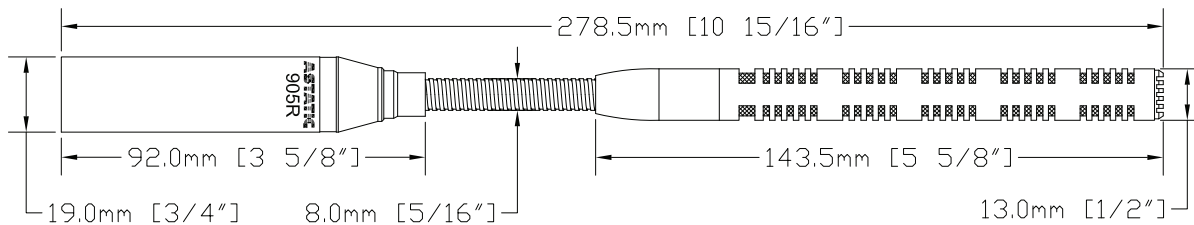
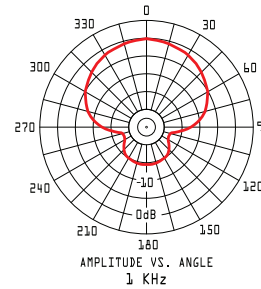
### RoHS Compliant

†Specifications subject to change without notice.

### Frequency Response



### Polar Pattern



### Architects' and Engineers' Specifications

The microphone will be a mini-gooseneck condenser type. The frequency response will be 70Hz-18KHz. The microphone will have a line-cardioid polar pattern utilizing Astatic's exclusive Locus™ technology.

The sensitivity of the microphone will be -30dBV (32mV) @ 1 Pa. The microphone will have a professional 3-pin male XLR connector that also contains the electronic circuitry. The microphone will operate from P12, P24 or P48 standard phantom power consuming 2mA.

The microphone element and electronics will be enclosed in a radio frequency resistant housing meeting or exceeding specification EN55103-2. The microphone will be 1/2" [13.0mm] in diameter at the capsule and 3/4" [19.0mm] in diameter at the base. The flexible gooseneck will be 5/16" [8.0mm] in diameter. The overall length will be 10-15/16" [278.5mm]. The microphone will have a durable matte-black urethane finish. A locking-flange mount and foam windscreen will be supplied as accessories.

The microphone will be RoHS compliant.

The Astatic model 905R is specified.

### Two-Year Limited Warranty

Astatic Commercial Audio Products hereby warrants that this product will be free of defects in material and workmanship for a period of two years from the date of purchase. In the unlikely event that a defect occurs Astatic will, at its option, either repair or replace with a new unit of equal or greater value. Retain proof of purchase to validate the purchase date and return it with any warranty claim.

This warranty excludes exterior finish or appearance, damage from abuse, misuse of the product, use contrary to Astatic's instructions or unauthorized repair. All implied warranties, merchantability, or fitness for a particular purpose is hereby disclaimed and Astatic hereby disclaims liability for incidental, special or consequential damages resulting from the use or unavailability of this product.

This warranty gives you specific legal rights and you may have other rights that vary from state to state. Some states do not allow the exclusion or limitation of incidental or consequential damages or limitations on how long an implied warranty lasts, so the above exclusions and limitations may not apply to you.

Note: No other warranty, written or oral is authorized by Astatic Commercial Audio Products.

### Shipping Instructions

Please call our customer service department at 440-349-4900 for a pre-approved return authorization number.

Carefully repack the unit and return the insured package to: Astatic Commercial Audio Products, 6573 Cochran Road, Building I, Solon, Ohio 44139.

**RETURNS WITHOUT A PRE-APPROVED RETURN AUTHORIZATION NUMBER WILL BE REFUSED.**

If outside the United States, contact your local dealer or distributor for warranty details.



©2008 Astatic Commercial Audio Products  
Part No. 46873-89-00 Apr2008



**Astatic Commercial Audio Products**  
6573 Cochran Rd. Building I Solon, Ohio 44139 U.S.A.  
Tel: (440) 349-4900 Fax: (440) 248-4902 Sales: (800) 421-3161  
[www.astaticinstalled.com](http://www.astaticinstalled.com)