

110 FIELD TERMINATED KITS

		2	5	5				2	2	5		OR-70300030	RIVET: 12 PER PKG.
1	3	3	9	9	1	3	3	3	3	9	1	OR-70400272	HOLDER / INSERT, DESIGNATION STRIP
		3	9	9				3	3	9		OR-30200143	110 DW4-100 BLOCK, WIRING
1					1						1	OR-30200145	110 AW4-100 BLOCK, WIRING
	1					1	1					OR-30200007	110 AW4-300 BLOCK, WIRING
												OR-30200022	110 DW4-300 BLOCK, WIRING
20	60	60	180	36			12		12		4	OR-30200010	110C-5 BLOCK, CONNECTING, BAGGED
				180	4	12	60	12	60	36	20	OR-30200009	110C-4 BLOCK, CONNECTING, BAGGED
					28	84		84		252		OR-30200008	110C-3 BLOCK, CONNECTING, BAGGED
		2	2	2				2	2	2		OR-70100120	WASHER, LOCK #12 EXT.
		2	2	2				2	2	2		OR-70100119	SCREW, PH, #12-14 X 5/8
		1	1	1				1	1	1		OR-20700021	GROUNDING BAR
		2	2	2				2	2	2		OR-70100002	NUT, 10-32
		2	2	2				2	2	2		OR-70100129	SCREW, PH, 10-32 X 5/8
		1	1	1				1	1	1		OR-71600110	INSTRUCTION SHEET
		1						1	1			OR-40200375	PANEL, 300 PAIR
			1	1						1		OR-40200377	PANEL, 900 PAIR
		3	9	9				3	3	9		OR-30200139	TROUGH, MANAGEMENT
		1	1	1				1	1	1		OR-40200384	BOTTOM TRAY
REQ	REQ	REQ	REQ	REQ	REQ	REQ	REQ	REQ	REQ	REQ	REQ	PART#	DESCRIPTION
110AA2-100FT	OR-30200116												
110AA2-300FT	OR-30200095												
110PA2-300FT	OR-30203461												
110PA2-900FT	OR-30200024												
110PB2-900FT	OR-30200026												
110AC2-100FT	OR-30203460												
110AC2-300FT	OR-30203538												
110AB2-300FT	OR-30203519												
110PC2-300FT	OR-30203555												
110PB2-300FT	OR-30200020												
110PC2-900FT	OR-30200012												
110AB2-100FT	OR-30203506												



125 Eugene O'Neill Drive
New London, Connecticut 06320

PACKING LIST
110 PATCH PANEL
FIELD TERMINATED



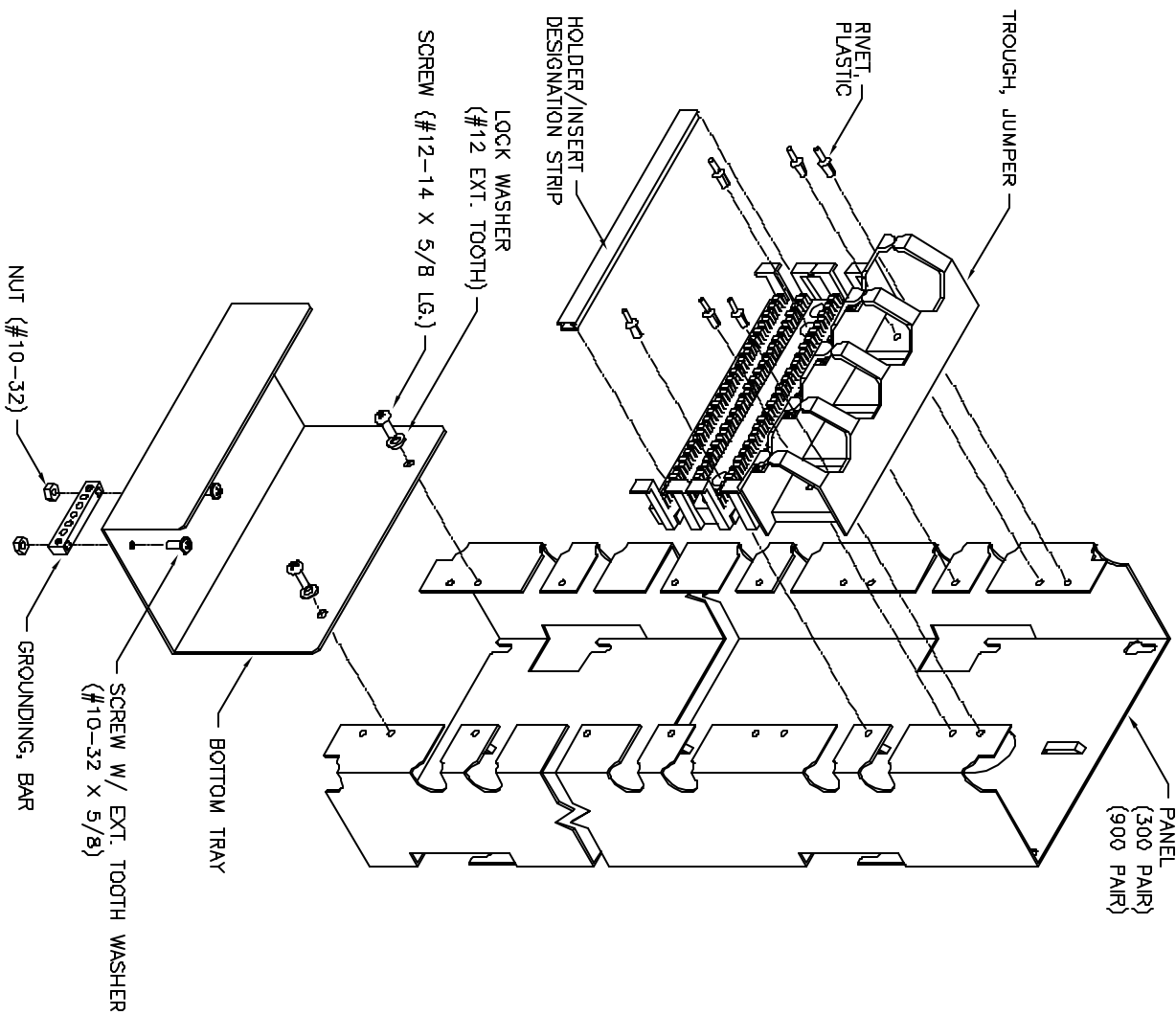


ORTRONICS

125 EUGENE O'NEILL DRIVE
NEW LONDON, CT 06330
TEL: 860-443-3800
FAX: 860-403-2990

TITLE

110 CROSS-CONNECT
300/900 PAIR
ASSEMBLY INSTRUCTIONS



CAD: I:\716\001101	REV. #	EQN #	SHEET	DWN.BY:	DATE	CHKBY:	DATE	APP. BY:	DATE
INSTRUCTION SHEET # 71600110	07	01127	2 OF 2	D. BOGUE	02/18/99				

