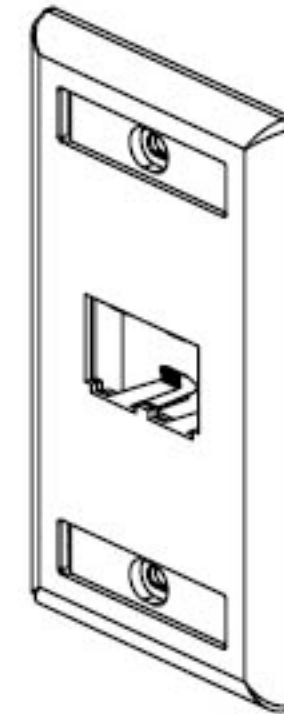
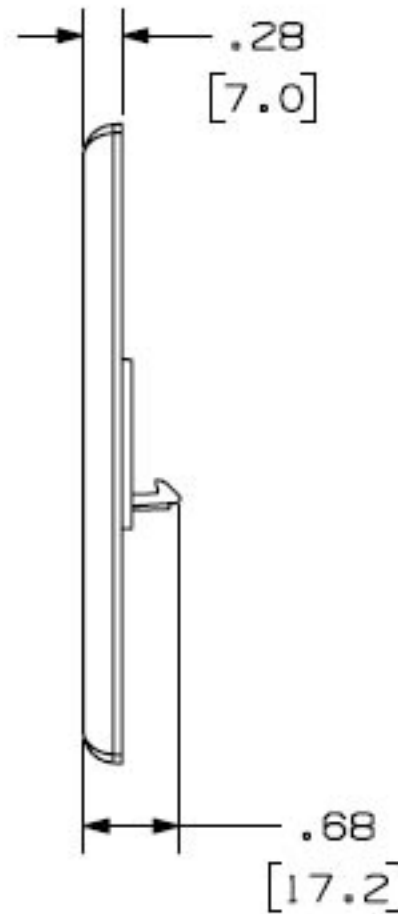
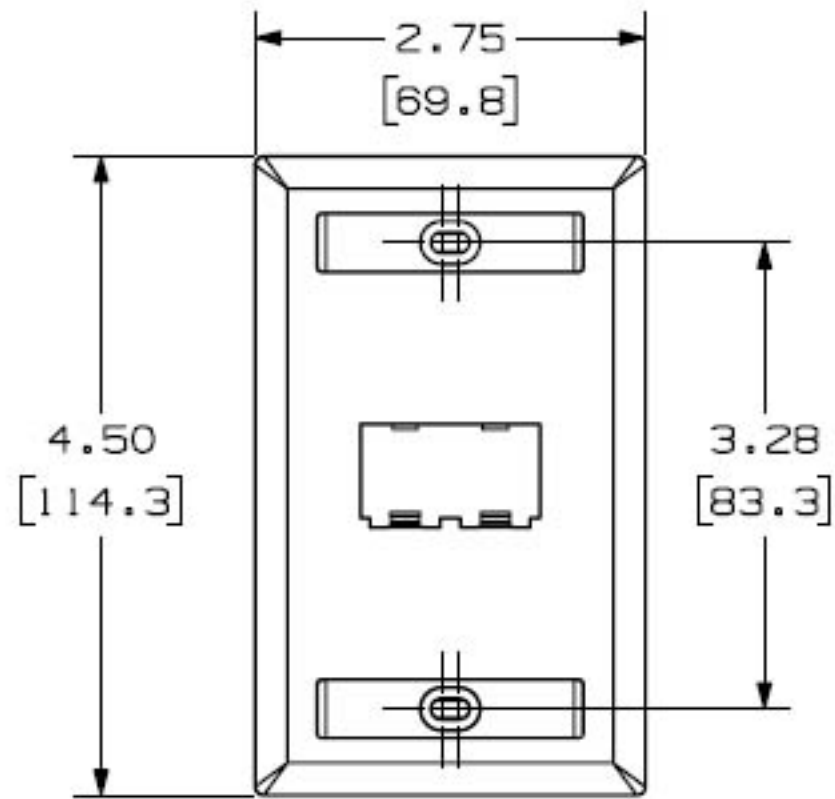


THIS COPY IS PROVIDED ON A RESTRICTED BASIS AND IS NOT TO BE USED IN ANY WAY DETRIMENTAL TO THE INTERESTS OF PANDUIT CORP.

PANDUIT P/N	WEIGHT
CFPL2**	.60 LB/10 PCS. (273.9 G/10 PCS.)

NOTES:

- \*\* 1. SEE CURRENT CATALOG FOR ADDITIONAL PART NUMBER SUFFIXES TO INDICATE COLOR AND OR PACKAGE QUANTITY.
- 2. SEE CATALOG FOR COMPLETE LIST OF PARTS APPLICABLE FOR USE WITH THIS PART.
- 3. PART INCLUDES:  
1- FACEPLATE  
2- MOUNTING SCREWS  
2- LABELS  
2- LABEL COVERS
- 4. DIMENSIONS IN PARENTHESIS ARE IN METRIC.



Sold by:



CAD FILENAME/LAYERS		M00734BF_DC_00A.PRT	
<b>PANDUIT</b> CORP. TINLEY PARK, ILLINOIS			
2 POSITION MINI-COM VERTICAL FACEPLATE WITH LABEL/COVERS (CFPL2**) CUSTOMER DRAWING			
UNLESS OTHERWISE SPECIFIED, DIMENSIONAL TOLERANCES ARE: (.X) ± (.XXX) ± .010(.3) (.XX) ± .03(.8) ANGLES ±		UNLESS OTHERWISE SPECIFIED, ALL DIMENSIONS ARE GIVEN IN INCHES, THIRD ANGLE PROJECTION.	
DRAWN BY JsP	MAT'L:	SCALE NONE	
DATE 10-5-99	ABS	DRAWING NO.	DWG SIZE
CHK'D		00734-07	A

REV	DATE	BY	CHK	DESCRIPTION	ECN	R	CUST	SUP
R	10-5-99	JsP		RELEASED TO PRODUCTION	00734-07			