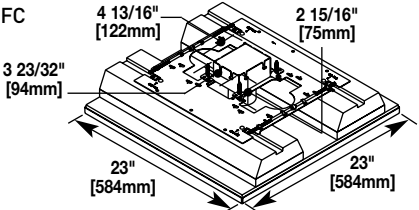
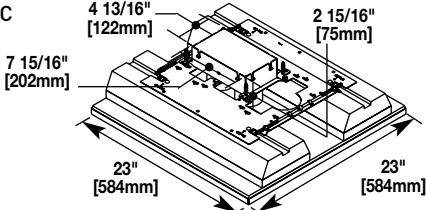
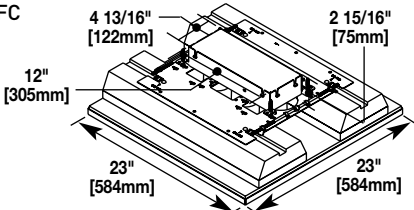
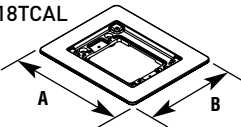
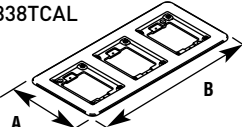


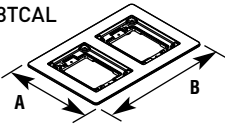
FIRE CLASSIFIED OMNIBOX SERIES STANDARD DEPTH STEEL FLOOR BOXES ORDERING INFORMATION

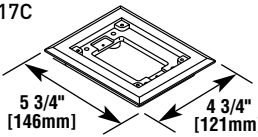
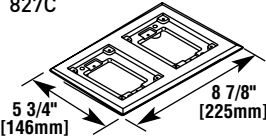
PART NO.	DESCRIPTION
<p>880M1FC</p>  <p>4 13/16" [122mm] 2 15/16" [75mm] 3 23/32" [94mm] 23" [584mm]</p>	<p>ONE-GANG STANDARD DEPTH STEEL FLOOR BOX – Adjustment range over deck of 3 1/4" [83mm] minimum to 4" [102mm] maximum. Use in light weight concrete 3 1/4" [83mm] minimum pour over deck. One 1 1/4" [32mm] conduit feed opening. Box Capacity - 37 cubic inches.</p> <p>NOTE: Floor Box spacing 2' on center and one for every 4 square feet in a span. Four (4) #12 AWG Type THHN Power Conductors or 48 #23 AWG (6 Cat. 6) Tele Data Conductors per gang.</p>
<p>880M2FC</p>  <p>4 13/16" [122mm] 2 15/16" [75mm] 7 15/16" [202mm] 23" [584mm]</p>	<p>TWO-GANG STANDARD DEPTH STEEL FLOOR BOX – Adjustment range over deck of 3 1/4" [83mm] minimum to 4" [102mm] maximum. Use in light weight concrete 3 1/4" [83mm] minimum pour over deck. Two 1 1/4" [32mm] conduit feed openings. Box Capacity - 40 cubic inches each gang.</p> <p>NOTE: Floor Box spacing 2' on center and one for every 4 square feet in a span. Four (4) #12 AWG Type THHN Power Conductors or 48 #23 AWG (6 Cat. 6) Tele Data Conductors per gang.</p>
<p>880M3FC</p>  <p>4 13/16" [122mm] 2 15/16" [75mm] 12" [305mm] 23" [584mm]</p>	<p>THREE-GANG STANDARD DEPTH STEEL FLOOR BOX – Adjustment range over deck of 3 1/4" [83mm] minimum to 4" [102mm] maximum. Use in light weight concrete 3 1/4" [83mm] minimum pour over deck. Three 1 1/4" [32mm] conduit feed openings. Inside Gang Capacity - 45 cubic inches. Outside Gang Capacity - 36 cubic inches each gang.</p> <p>NOTE: Floor Box spacing 2' on center and one for every 4 square feet in a span. Four (4) #12 AWG Type THHN Power Conductors or 48 #23 AWG (6 Cat. 6) Tele Data Conductors per gang.</p>

COVER PLATE FLANGES FOR FIRE CLASSIFIED OMNIBOX SERIES FLOOR BOXES ORDERING INFORMATION

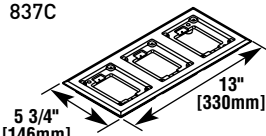
PART NO.	DESCRIPTION									
<p>817B 818TCAL</p>  <p>FLANGE – One-gang brass (817B) or brushed aluminum (818TCAL) combination carpet and tile flange. Accepts Ortronics® MAB6TJ TracJack and MAB3S2 Series II, and Wiremold CM Series Open System adapters. All sold separately.</p> <table border="1"> <thead> <tr> <th>FLANGE</th> <th>A</th> <th>B</th> </tr> </thead> <tbody> <tr> <td>818TCAL</td> <td>5.940" [150.9mm]</td> <td>4.920" [125.0mm]</td> </tr> <tr> <td>817B</td> <td>6.080" [154.4mm]</td> <td>5.060" [128.5mm]</td> </tr> </tbody> </table> <p>NOTE: Brushed aluminum flanges come with beveled edges.</p>	FLANGE	A	B	818TCAL	5.940" [150.9mm]	4.920" [125.0mm]	817B	6.080" [154.4mm]	5.060" [128.5mm]	
FLANGE	A	B								
818TCAL	5.940" [150.9mm]	4.920" [125.0mm]								
817B	6.080" [154.4mm]	5.060" [128.5mm]								

PART NO.	DESCRIPTION									
<p>837B 838TCAL</p>  <p>FLANGE – Three-gang brass (837B) or brushed aluminum (838TCAL) combination carpet and tile flange. Accepts Ortronics® MAB6TJ TracJack and MAB3S2 Series II, and Wiremold CM Series Open System adapters. All sold separately.</p> <table border="1"> <thead> <tr> <th>FLANGE</th> <th>A</th> <th>B</th> </tr> </thead> <tbody> <tr> <td>838TCAL</td> <td>5.940" [150.9mm]</td> <td>13.170" [334.5mm]</td> </tr> <tr> <td>837B</td> <td>6.080" [154.4mm]</td> <td>13.310" [338.1mm]</td> </tr> </tbody> </table> <p>NOTE: Brushed aluminum flanges come with beveled edges.</p>	FLANGE	A	B	838TCAL	5.940" [150.9mm]	13.170" [334.5mm]	837B	6.080" [154.4mm]	13.310" [338.1mm]	
FLANGE	A	B								
838TCAL	5.940" [150.9mm]	13.170" [334.5mm]								
837B	6.080" [154.4mm]	13.310" [338.1mm]								

<p>827B 828TCAL</p>  <p>FLANGE – Two-gang brass (827B) or brushed aluminum (828TCAL) combination carpet and tile flange. Accepts Ortronics® MAB6TJ TracJack and MAB3S2 Series II, and Wiremold CM Series Open System adapters. All sold separately.</p> <table border="1"> <thead> <tr> <th>FLANGE</th> <th>A</th> <th>B</th> </tr> </thead> <tbody> <tr> <td>828TCAL</td> <td>5.940" [150.9mm]</td> <td>9.045" [229.7mm]</td> </tr> <tr> <td>827B</td> <td>6.080" [154.4mm]</td> <td>9.185" [233.3mm]</td> </tr> </tbody> </table> <p>NOTE: Brushed aluminum flanges come with beveled edges.</p>	FLANGE	A	B	828TCAL	5.940" [150.9mm]	9.045" [229.7mm]	827B	6.080" [154.4mm]	9.185" [233.3mm]	
FLANGE	A	B								
828TCAL	5.940" [150.9mm]	9.045" [229.7mm]								
827B	6.080" [154.4mm]	9.185" [233.3mm]								

<p>817C</p>  <p>FLANGE – One-gang brass carpet flange. For use on 880S1FC and 880M1FC Floor Boxes.</p> <p>NOTE: Brushed aluminum flanges come with beveled edges.</p>	
<p>827C</p>  <p>FLANGE – Two-gang brass carpet flange. For use on 880S2FC and 880M2FC Floor Boxes.</p> <p>NOTE: Brushed aluminum flanges come with beveled edges.</p>	

NOTE: UL Listed for tile, terrazzo, wood, and carpet floors.
Brass covers and flanges are not interchangeable with aluminum covers and flanges.

<p>837C</p>  <p>FLANGE – Three-gang brass carpet flange. For use on 880S3FC and 880M3FC Floor Boxes.</p> <p>NOTE: Brushed aluminum flanges come with beveled edges.</p>	
--	--

CODE REFERENCE
cULus Listed Metallic Outlet Boxes:
File E2961 Guide QCIT.
Meets Article 314.27(C) of NEC.

