

lev-lok® Modular Wiring Devices

15A & 20A, 120/277V Single Pole Toggle Switches
Extra Heavy Duty Specification Grade



Leviton's revolutionary modular wiring device platform has now been expanded to include a new line of Single Pole Toggle Switches. Just like our modular receptacle system, the lev-lok switches employ a simple twist and lock wiring module that ensures a safe, reliable connection while at the same time providing for extremely fast, easy installation. The wiring module is keyed so that it cannot be installed incorrectly. This not only saves time during initial installation, but makes maintenance applications quicker, safer and easier as well.

This line of switches includes Standard Toggle, Illuminated Toggle and Tamper-Resistant versions, available in a variety of colors.



Sold by:

 **TWAcomm.com**
<http://www.TWAcomm.com>
Toll Free: (877) 389-0000

Features

Finger grips for ease of installation

15 AMP

20 AMP



Switch covers are color-coded for easy identification of Amp rating

Terminal posts are solid brass for strong, secure connection between switch and wiring module

Two latches mate with wiring module for added security

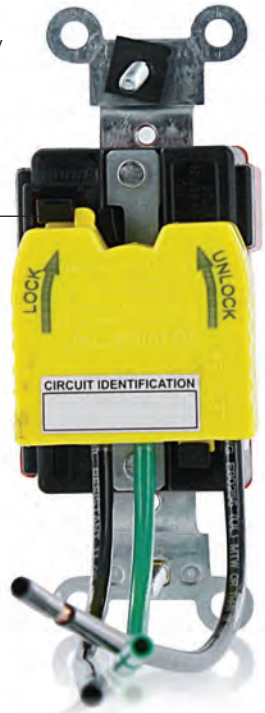
TO REMOVE LABEL-PULL TAB BACK AND OFF. CONNECT MODULE TO SWITCH PINS AND TURN CLOCKWISE TO LOCK.

Protective cover prevents debris from entering contacts until ready to connect to switch

Simply rotate module counter-clockwise to disengage

Wiring module is quickly and securely engaged with a simple 35° clockwise rotation.

Wiring module includes factory installed circuit ID label so that electricians can save a step by labeling device locations during rough-in



Ordering Information

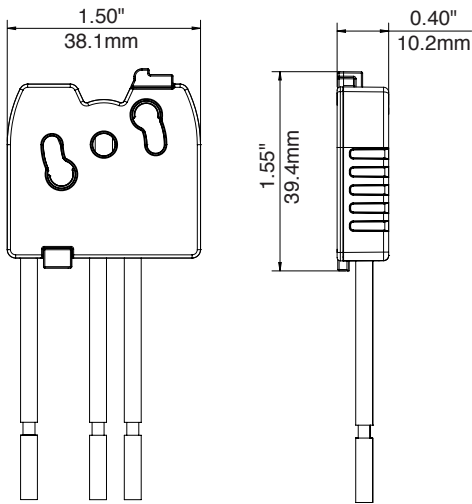
Catalog Number	Amperage Rating	Voltage Rating	Toggle Color *
Standard Toggle			
M1201	15A	120/277V AC	Brown
M1201-I	15A	120/277V AC	Ivory
M1201-W	15A	120/277V AC	White
M1201-R	15A	120/277V AC	Red
M1201-GY	15A	120/277V AC	Gray
M1221	20A	120/277V AC	Brown
M1221-I	20A	120/277V AC	Ivory
M1221-W	20A	120/277V AC	White
M1221-R	20A	120/277V AC	Red
M1221-GY	20A	120/277V AC	Gray
M1221-E	20A	120/277V AC	Black
M1221-T	20A	120/277V AC	Light Almond
Illuminated Toggle			
M1201-LHI	15A	120V AC	Ivory
M1201-LHC	15A	120V AC	Clear
M1201-LHW	15A	120V AC	White
M1221-LHI	20A	120V AC	Ivory
M1221-LHC	20A	120V AC	Clear
M1221-LHW	20A	120V AC	White
Tamper-Resistant Key Toggle			
M1201-L	15A	120/277V AC	Brown
M1201-IL	15A	120/277V AC	Ivory
M1221-L	20A	120/277V AC	Brown
M1221-IL	20A	120/277V AC	Ivory
M1221-WL	20A	120/277V AC	White
M1221-GL	20A	120/277V AC	Gray
M1221-RL	20A	120/277V AC	Red
Wiring Module			
MSPSW-ST	20A	347V AC MAX.	Stranded Wire
MSPSW-SD	20A	347V AC MAX.	Solid Wire

*For Tamper-Resistant Key Toggle, color indicates dome color

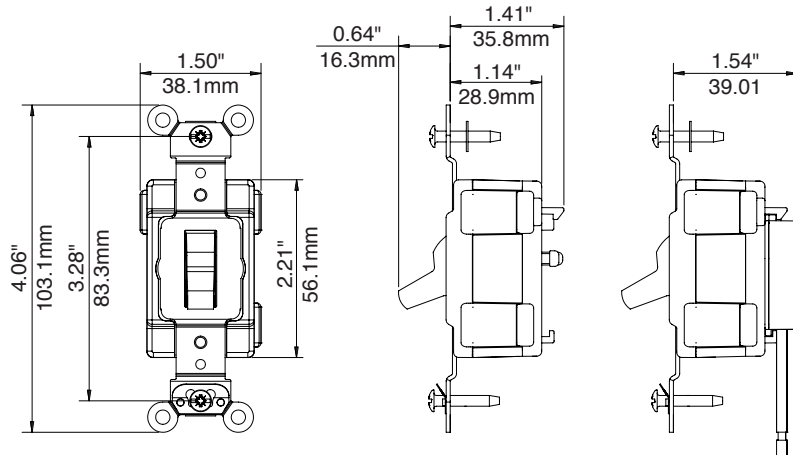
Specifications

Electrical Specifications	
Amperage	15 Amp or 20 Amp
Voltage	120/277V AC
Grounding	Self Grounding
Dielectric Voltage	Withstands 1500V for 1 minute
Overload UL20 Test	100 cycles of OL at 4.8 times rated current
Temperature Rise	Maximum 30°C rise
Endurance	50,000 cycles minimum
HP Rating - Standard and Tamper-Resistant Key Toggle	15A 1/2 HP @120V 2HP @ 240V 20A 1HP @ 120V 2HP @ 240V
HP Rating - Illuminated Toggle Version	15A 1/2HP @ 120V 20A 1HP @ 120V
Environmental Specifications	
Flammability	Rated V-2 per UL94
Operating Temperature	-40°C to 65°C
Material Specifications	
Strap	0.50" Thick Galvanized Steel
Base	PBT Polyester
Toggle	Polycarbonate
Cover	Nylon
Contact	Silver Alloy
Ground Clip	Brass
Dome	Nylon
Wiring Module Housing	Polycarbonate
Mechanical Specifications	
Product ID	Ratings are permanently marked on device
Standards and Certifications	
NEMA	WD-1 & WD-6
ANSI	C-73
cULus per UL 20 UL FedSpec W-S-896 CSA C22.2 No. 111	File # E7458
NOM	057
RoHS	Compliant
Warranty	10 Year Limited

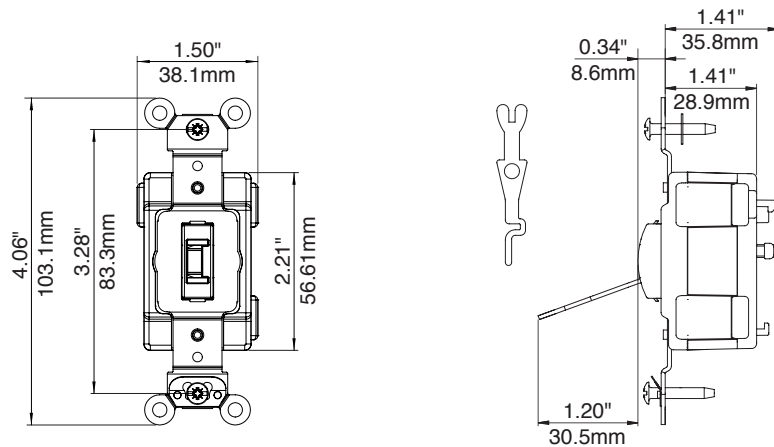
Dimensions



Typical for Cat No MSPSW



Typical for Cat Nos M1201 and M1221



Typical for Cat No M1221-L

Leviton Manufacturing Co., Inc.

201 N Service Rd, Melville, NY 11747
 Telephone: 1-800-323-8920 • FAX: 1-800-832-9538
 Tech Line (7:00AM-7:30PM E.S.T. Monday-Friday): 1-800-824-3005

Leviton Manufacturing of Canada, Ltd.

165 Hymus Blvd, Pointe-Claire, QC H9R 1E9
 Telephone: 1-800-469-7890 • FAX: 1-800-563-1853

Leviton S. de R.L. de C.V.

Lago Tana 43, Col. Huichapan, Miguel Hidalgo, CP 11290 México DF
 Tel. (+52) 55-5082-1040 • Fax: (+52) 55-5386-1797 • www.leviton.com.mx

Leviton Middle East, Ltd.

J/Alf Free Zone, View 19 7th Floor, Office 701 • PO Box 262742 Dubai, UAE
 Tel: +971 4 886 4722 • Fax: +971 4 886 4723

Visit our Website at: www.leviton.com/industrial email: industrial@leviton.com

© 2010 Leviton Manufacturing Co., Inc. All rights reserved.

