

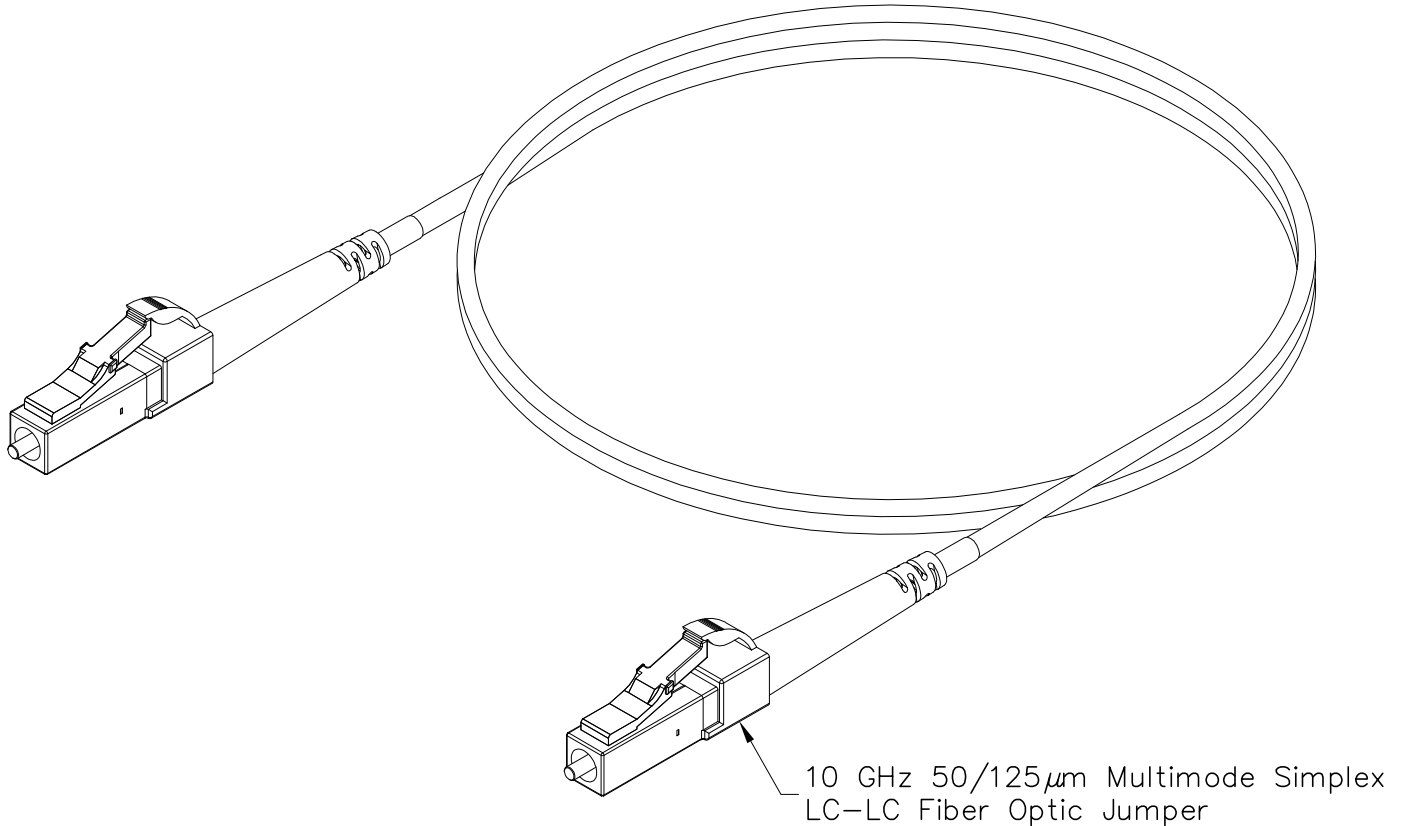
10 GHz 50/125 μ m Multimode Simplex LC-LC Fiber Optic Jumper

PRODUCT SPECIFICATION



Package includes:

- A. 10 GHz 50/125 μ m Multimode Simplex LC-LC Fiber Optic Jumper, 1 pc
- B. Test Results Label, 1 pc



Features and Benefits:

- Made from OFNR riser rated cables, exceeding all industry requirements
- Laser optimized fiber optic cable designed for 10 GHz applications
- Used with ICC fiber optic products
- Available in 1, 2, 3, 5, 7 and 10 meters
- Test results included

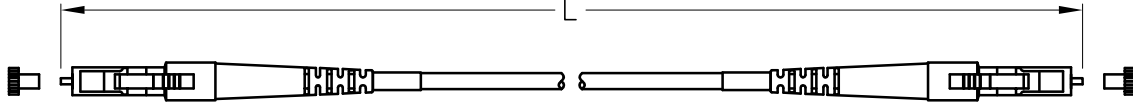
JUMPER, LC-LC, SIMPLEX, 50/125 μ m, 10G

| | |
|----------|------------|
| ITEM NO. | ICFOJ1G6XX |
| DWG NO. | PSFOJ1G600 |

| | |
|----------|---|
| REV. | C |
| PAGE NO. | 1 |



CUSTOMER CARE / TECHNICAL SUPPORT * CSR@ICC.COM / 888-ASK-4-ICC (275-4422) * 14700 Alondra Blvd., La Mirada, CA 90638 * www.icc.com



NOTE: UNLESS OTHERWISE SPECIFIED

1. CABLE:

- A. COLOR: AQUA
- B. FIBER COUNTS: 1 FIBER
- C. FIBER TYPE: LASER OPTIMIZED MULTIMODE 50/125 μ m
- D. ATTENUATION: 3.5/1.0 dB/km @ 850/1300nm
- E. BANDWIDTH: 200/500 @ 850/1300nm
- F. CABLE DATA:
 - CABLE DIAMETER: .079 in (2.0 mm)
 - WEIGHT: 12 lb/kft
 - BEND RADIUS: 1.2 in MIN
 - LOADING: 135 lb MAX
 - IMPACT CYCLE: 1500

2. LC CONNECTOR:

- A. FERRULE: ZIRCONIA
- B. INSERTION LOSS: .2 dB TYPICAL, .3 dB MAX
- C. REFLECTION: N/A

3. LENGTH: XX=01, 02, 03, 05, 07 & 10

| ITEM NUMBER | L |
|-------------|----------------------|
| ICFOJ1G601 | 1 METER \pm 10 CM |
| ICFOJ1G602 | 2 METER \pm 10 CM |
| ICFOJ1G603 | 3 METER \pm 10 CM |
| ICFOJ1G605 | 5 METER \pm 10 CM |
| ICFOJ1G607 | 7 METER \pm 10 CM |
| ICFOJ1G610 | 10 METER \pm 10 CM |

JUMPER, LC-LC, SIMPLEX, 50/125 μ m, 10G

ITEM NO. ICFOJ1G6XX
 DWG NO. PSFOJ1G600

REV. C
 PAGE NO. 2



CUSTOMER CARE / TECHNICAL SUPPORT * CSR@ICC.COM / 888-ASK-4-ICC (275-4422) * 14700 Alondra Blvd., La Mirada, CA 90638 * www.icc.com