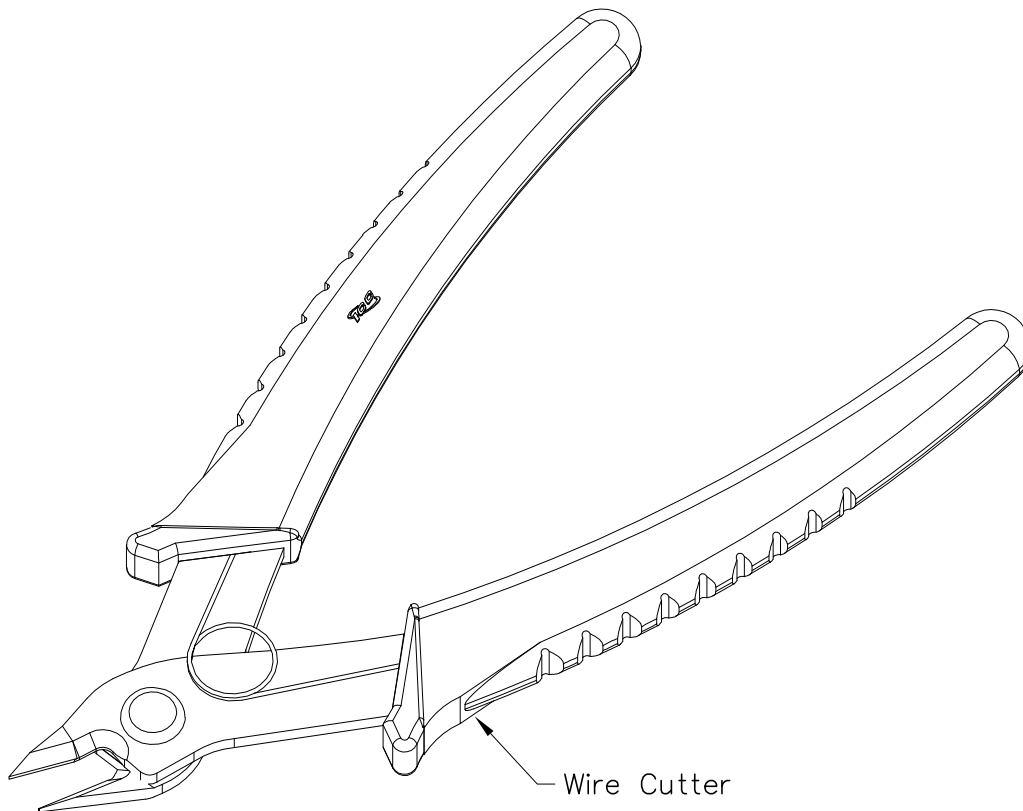


Wire Cutter

PRODUCT SPECIFICATION

Package includes:


A. Wire Cutter, 1pc



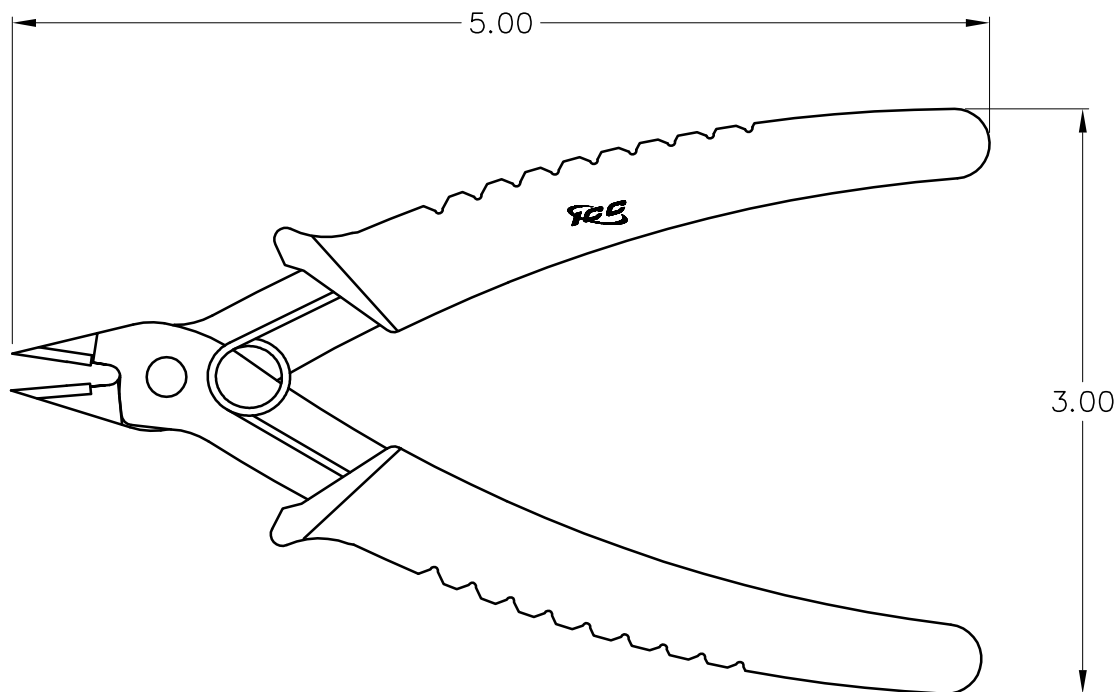
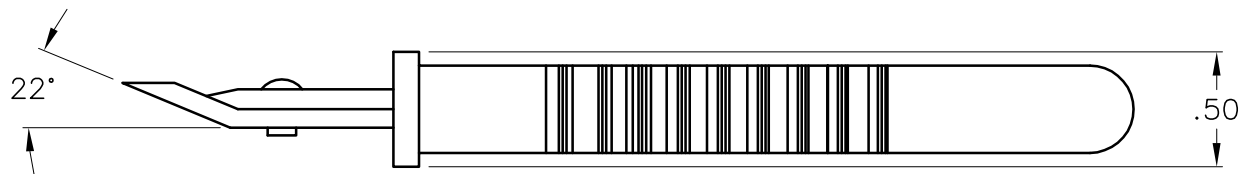
Features and Benefits:

- Manufactured with high quality steel material for long life.
- Ergonomic design provides a firm and comfortable grip which prevents slippage.
- Durable steel frame for rugged environments.
- Lightweight and compact.
- Flush cuts up to 18 AWG copper or aluminum wire.



TOOL, WIRE CUTTER		 Premium Products <i>Proven Performance</i> Competitive Prices	
ITEM NO.	ICACSWRCTR		REV. A
DWG NO.	PSACSWRCTR	PAGE NO.	1


CUSTOMER CARE / TECHNICAL SUPPORT * CSR@ICC.COM / 888-ASK-4-ICC (275-4422) * 14700 Alondra Blvd., La Mirada, CA 90638 * www.icc.com



NOTE: UNLESS OTHERWISE SPECIFIED

1. MATERIAL:
 - A. HANDLES: PVC
 - B. FRAME: S45C
 - C. SPRING: SUS 304
2. FINISH:
 - A. FRAME: BLACK OXIDE
3. LENGTH:
 - A. 5" (127mm)
4. FUNCTIONALITY:
 - A. CUTS UP TO 18 AWG
 - B. COPPER
 - C. ALUMINUM



TOOL, WIRE CUTTER		 ICC <i>Premium Products</i> <i>Proven Performance</i> <i>Competitive Prices</i>	
ITEM NO.	ICACSWRCTR		REV. A
DWG NO.	PSACSWRCTR		PAGE NO. 2

CUSTOMER CARE / TECHNICAL SUPPORT * CSR@ICC.COM / 888-ASK-4-ICC (275-4422) * 14700 Alondra Blvd., La Mirada, CA 90638 * www.icc.com