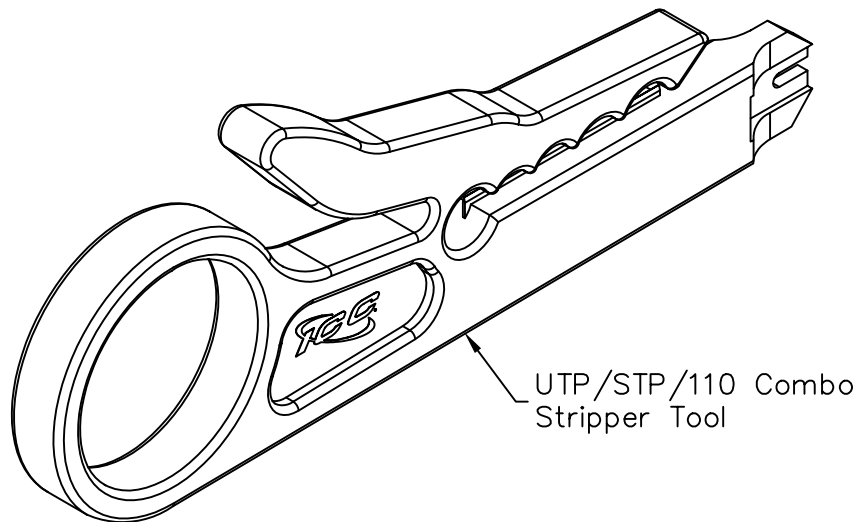


UTP/STP/110 Combo Stripper Tool

PRODUCT SPECIFICATION

Package includes:

- A. UTP/STP/110 Combo Stripper Tool, 1 pc

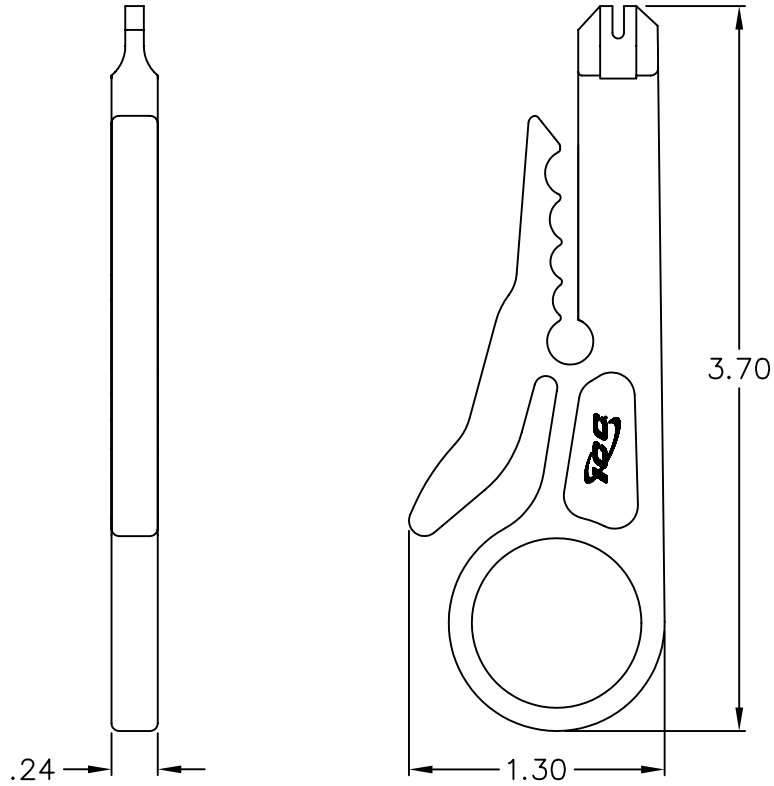


Features and Benefits:

- Manufactured with high quality materials with long life cutting blades to provide stripping consistency
- Ergonomically designed for fast and easy UTP/STP cable stripping
- Outer jacket stripping blade for various twisted pair cavities
- For stripping wire diameter about $\square 0.197'' \sim \square 0.244''$, top end for 110 type insertion use

| | | | |
|--|------------|--|------------|
| TOOL, STRIPPER, UTP-STP-110 COMBO | | | |
| ITEM NO. | ICACSTSUS1 | | REV. B |
| DWG NO. | PSACSTSUS1 | | PAGE NO. 1 |


CUSTOMER CARE / TECHNICAL SUPPORT * CSR@ICC.COM / 888-ASK-4-ICC (275-4422) * 14700 Alondra Blvd., La Mirada, CA 90638 * www.icc.com



NOTE: UNLESS OTHERWISE SPECIFIED

1. MATERIAL:
 - A. BODY: POLYRESIN
 - B. BLADE: STEEL
 - C. CUTTER: SK7
2. COLOR: BLUE



| | | | |
|---|------------|---|------------|
| TOOL, STRIPPER, UTP-STP-1 10 COMBO | |  PremiumProducts ProvenPerformance CompetitivePrices | |
| ITEM NO. | ICACSTSUS1 | | REV. B |
| DWG NO. | PSACSTSUS1 | | PAGE NO. 2 |

CUSTOMER CARE / TECHNICAL SUPPORT * CSR@ICC.COM / 888-ASK-4-ICC (275-4422) * 14700 Alondra Blvd., La Mirada, CA 90638 * www.icc.com