

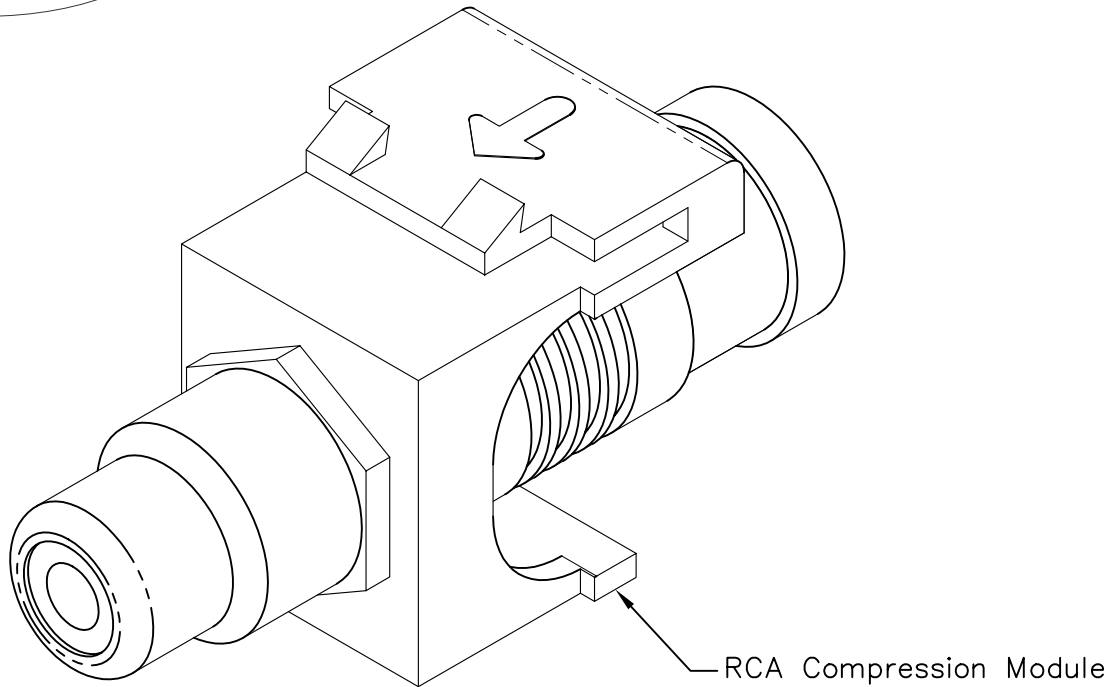
RG6 Quad RCA Compression Module

PRODUCT SPECIFICATION




Package includes:

A. RG6 Quad RCA Compression Module, 1 pc

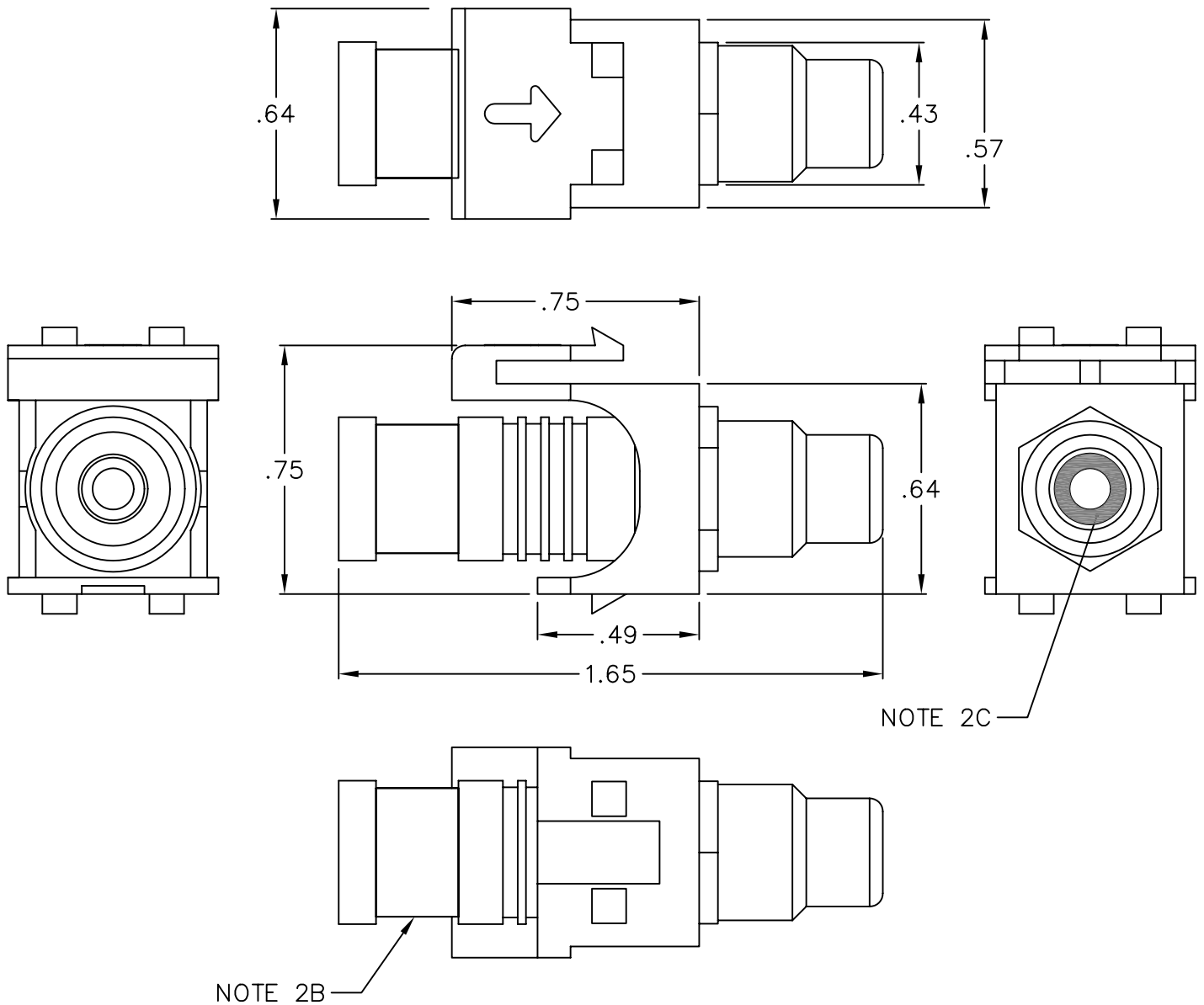


Features and Benefits:

- Improved performance and minimized signal loss by combining the compression connector and module into one single body
- Designed for RG6 quad shield coaxial cables on the rear side to provide high definition video and superior quality audio performance
- Colored insulators providing for quick and easy identification of the type of signal carried on the circuit, making it easy to separate audio and video signals
- Available with black, blue, green, red, white, and yellow insulators
- Provides a clean and neat appearance installation
- Compatible with all IC107 faceplates, inserts, surface mount boxes, and blank patch panels
- Compatible with all IC108 furniture faceplates, bezels, and surface mount boxes
- Used with ICC RG6 F-Type ICPCSF patch cords and universal compression tool ICACSCT01U
- Available in white

MODULE, CRIMP, RCA, RG6Q			
ITEM NO.	IC107RQZXX	REV.	A
DWG NO.	PS107RQ000	PAGE NO.	1

CUSTOMER CARE / TECHNICAL SUPPORT * CSR@ICC.COM / 888-ASK-4-ICC (275-4422) * 14700 Alondra Blvd., La Mirada, CA 90638 * www.icc.com



NOTE: UNLESS OTHERWISE SPECIFIED

1. HOUSING:

- A. MATERIAL: ABS, UL 94V-0
- B. COLOR: XX: WH-WHITE


2. RCA COMPRESSION CONNECTOR:

- A. MATERIAL: BRASS AND NICKEL FINISH
- B. BAND COLOR: BLUE
- C. INSULATOR COLOR: Z: G-GREEN, K-BLACK, L-BLUE, R-RED, W-WHITE, & Y-YELLOW

3. MECHANICAL:

- A. CABLE APPLICATION: <20 LBS MAX INSERTION
- B. EQUIPMENT INTERFACE: >10 MATINGS WITHOUT DAMAGE
- C. PULL FORCE: >40 LBS



MODULE, CRIMP, RCA, RG6Q		 PremiumProducts ProvenPerformance CompetitivePrices	
ITEM NO.	IC107RQZXX		REV. A
DWG NO.	PS107RQ000		PAGE NO. 2

CUSTOMER CARE / TECHNICAL SUPPORT * CSR@ICC.COM / 888-ASK-4-ICC (275-4422) * 14700 Alondra Blvd., La Mirada, CA 90638 * www.icc.com