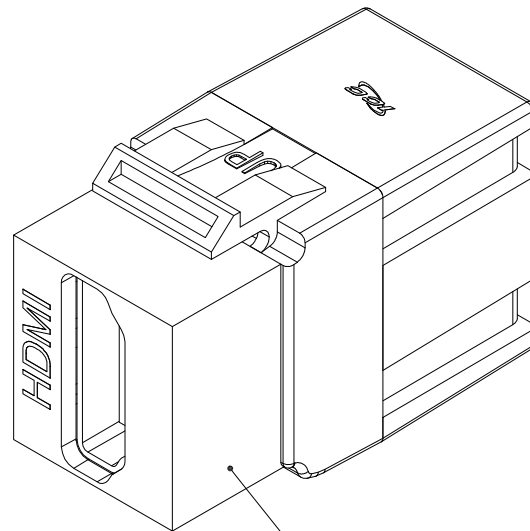
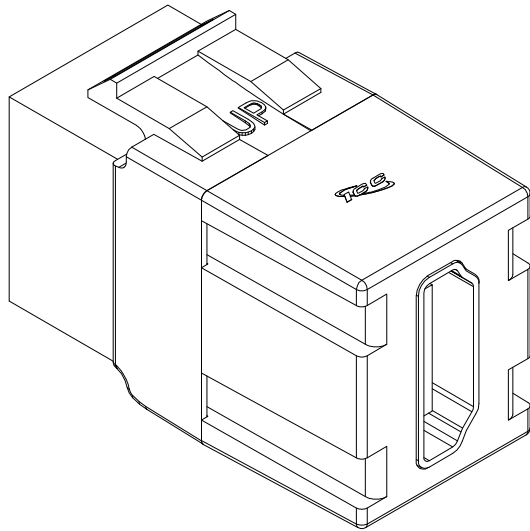


HDMI Female to Female Module

PRODUCT SPECIFICATION

Package includes:

A. HDMI Module, 1 pc



Female/Female
HDMI Module



Features and Benefits:

- HDMI (High Definition Multimedia Interface) connectors are ideal for connecting HD (High Definition) video, audio, and computer equipment in commercial and residential applications.
- Compatible with all of ICC's faceplates, and decorex inserts.
- Supports v1.2, v1.3, 720p, 1080i, 1080p and HDCP.
- Available in white

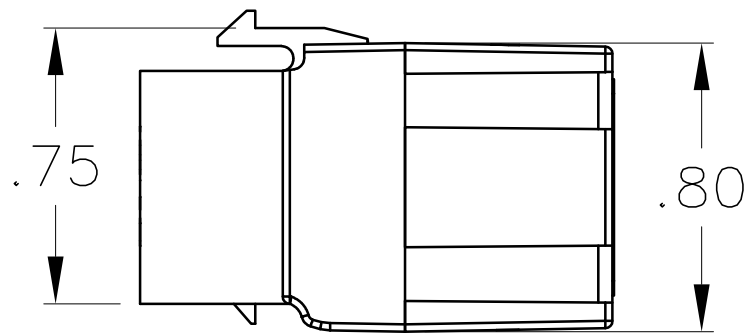
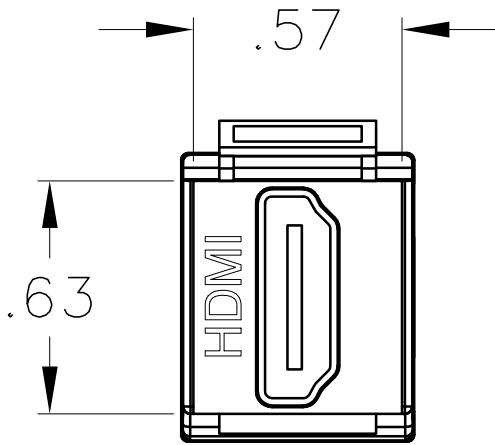
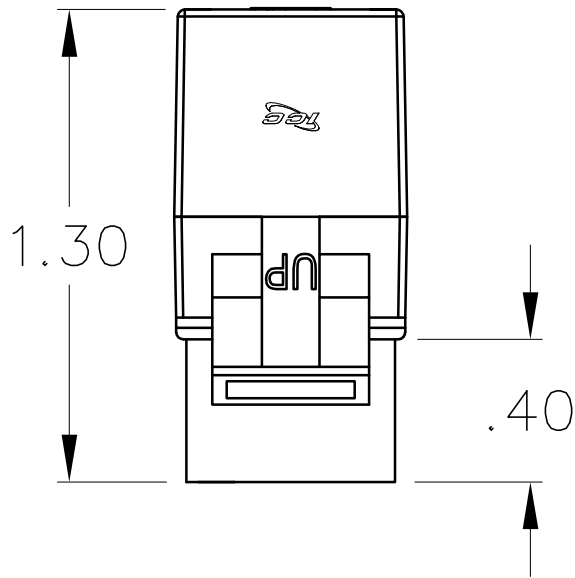
MODULE, HDMI, FEMALE TO FEMALE

ITEM NO. IC107HDMXX
DWG NO. PS107HDM00

REV. A
PAGE NO. 1



CUSTOMER CARE / TECHNICAL SUPPORT * CSR@ICC.COM / 888-ASK-4-ICC (275-4422) * 14700 Alondra Blvd., La Mirada, CA 90638* www.icc.com



NOTE: UNLESS OTHERWISE SPECIFIED

1. MATERIAL:

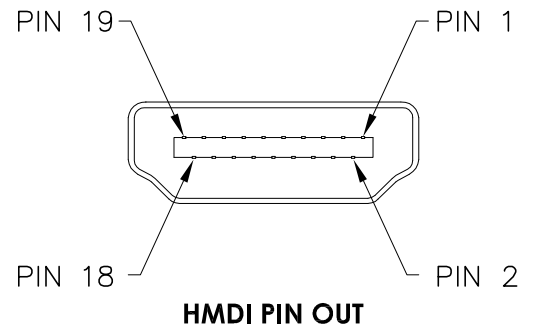
- A. HOUSING: ABS
- B. IDC: BRASS WITH 100 MICRO-INCH OF TIN
- C. TERMINALS: GOLD OVER NICKEL PLATED COPPER ALLOY


2. HDMI CONNECTOR:

- A. STORAGE: -40° TO +70°C
- B. OPERATION: -10° TO +60°C
- C. NONCONDENSING: 93%
- D. 19-PIN ADAPTER CONTACT.

3. COLOR:

- A. XX = WH-WHITE



MODULE, HDMI, FEMALE TO FEMALE		 Premium Products <i>Proven Performance</i> <i>Competitive Prices</i>	
ITEM NO.	IC107HDMXX		REV. A
DWG NO.	PS107HDM00	PAGE NO.	2

CUSTOMER CARE / TECHNICAL SUPPORT * CSR@ICC.COM / 888-ASK-4-ICC (275-4422) * 14700 Alondra Blvd., La Mirada, CA 90638* www.icc.com