

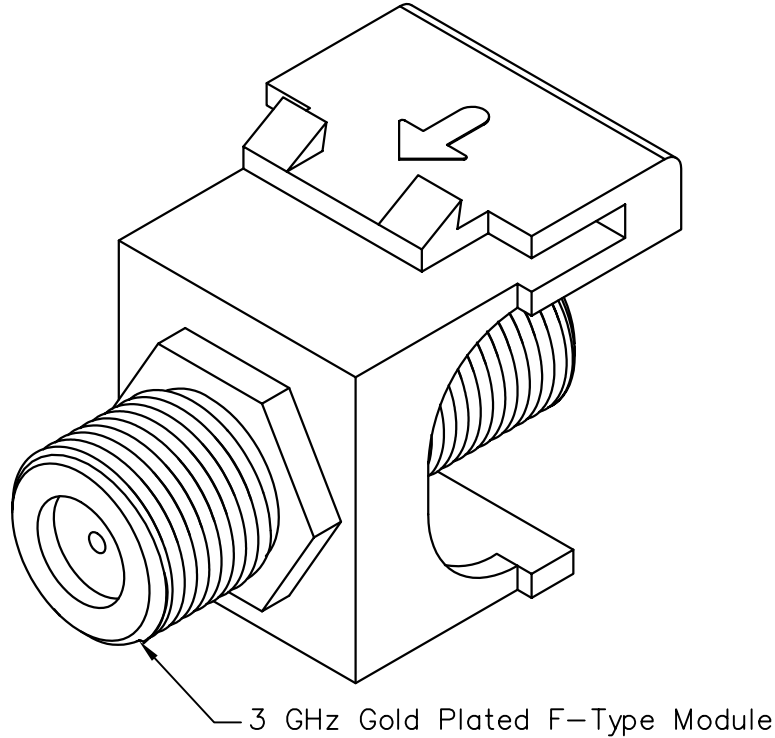
3 GHz Gold Plated F-Type Female-to-Female Module

PRODUCT SPECIFICATION



Package includes:

A. 3 GHz Gold Plated F-Type Module, 1 pc

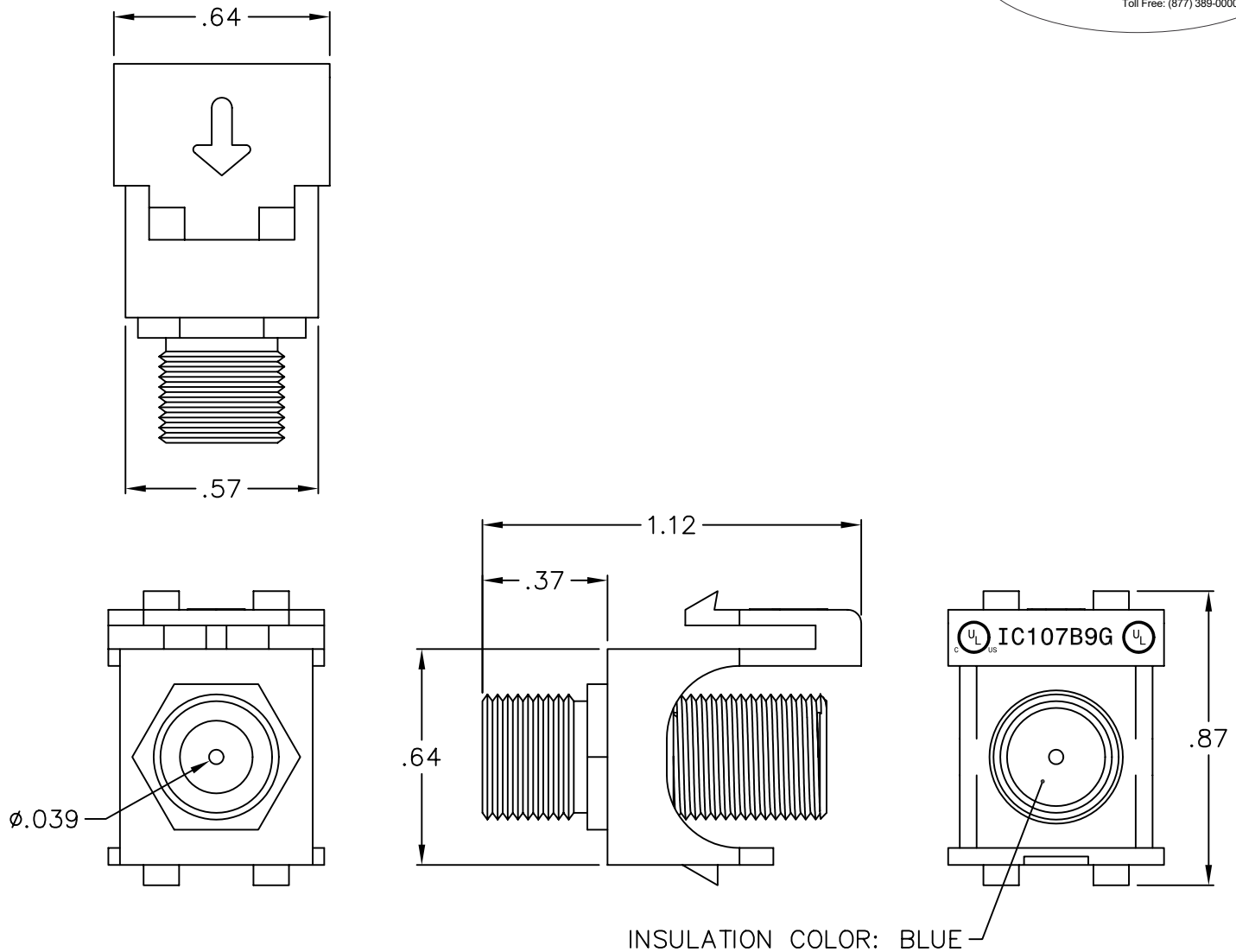


Features and Benefits:

- Gold plating for improved performance with superior signal quality with minimal noise
- Designed with 3 GHz bandwidth for audio and video applications
- Rear threaded F-Type connectors for secure in-wall connections with both RG6 and RG59 coaxial cables
- Provides a clean and neat appearance installation
- Compatible with all IC107 faceplates, inserts, surface mount boxes, and blank patch panels
- Compatible with all IC108 furniture faceplates, bezels, and surface mount boxes
- Used with ICC RG6 F-Type ICPCSF patch cords
- Available in almond, black, ivory, and white
- UL listed

MODULE, F-TYPE, GOLD PLATED, 3 GHZ			
ITEM NO.	IC107B9GXX		REV. C
DWG NO.	PS107B9G00		PAGE NO. 1

CUSTOMER CARE / TECHNICAL SUPPORT * CSR@ICC.COM / 888-ASK-4-ICC (275-4422) * 14700 Alondra Blvd., La Mirada, CA 90638 * www.icc.com



NOTE: UNLESS OTHERWISE SPECIFIED

1. HOUSING:

- A. MATERIAL: ABS, UL 94V-0
- B. COLOR: XX: AL-ALMOND, BK-BLACK, IV-IVORY, & WH-WHITE


2. GOLD PLATED F-TYPE CONNECTOR:

- A. MATERIAL: BRONZE WITH 3 MICRON GOLD PLATING
- B. HOLDING FORCE > 80 GRAMS
- C. F-TYPE CONNECTOR THREADS: 3/8-32 UNEF-2A

3. ELECTRICAL:

- A. RETURN LOSS OF -20 dB MAX
- B. FREQUENCY RANGE 1.4 ~ 3.0 GHZ
- C. CONTACT RESISTANCE < 10 MOHM
- D. INSULATION RESISTANCE > 5000 MOHM
- E. INSERTION LOSS < 0.3 dB

 US FILE NO. 125268

MODULE, F-TYPE, GOLD PLATED, 3 GHZ		 PremiumProducts ProvenPerformance CompetitivePrices	
ITEM NO.	IC107B9GXX		REV. C
DWG NO.	PS107B9G00		PAGE NO. 2

CUSTOMER CARE / TECHNICAL SUPPORT * CSR@ICC.COM / 888-ASK-4-ICC (275-4422) * 14700 Alondra Blvd., La Mirada, CA 90638 * www.icc.com