

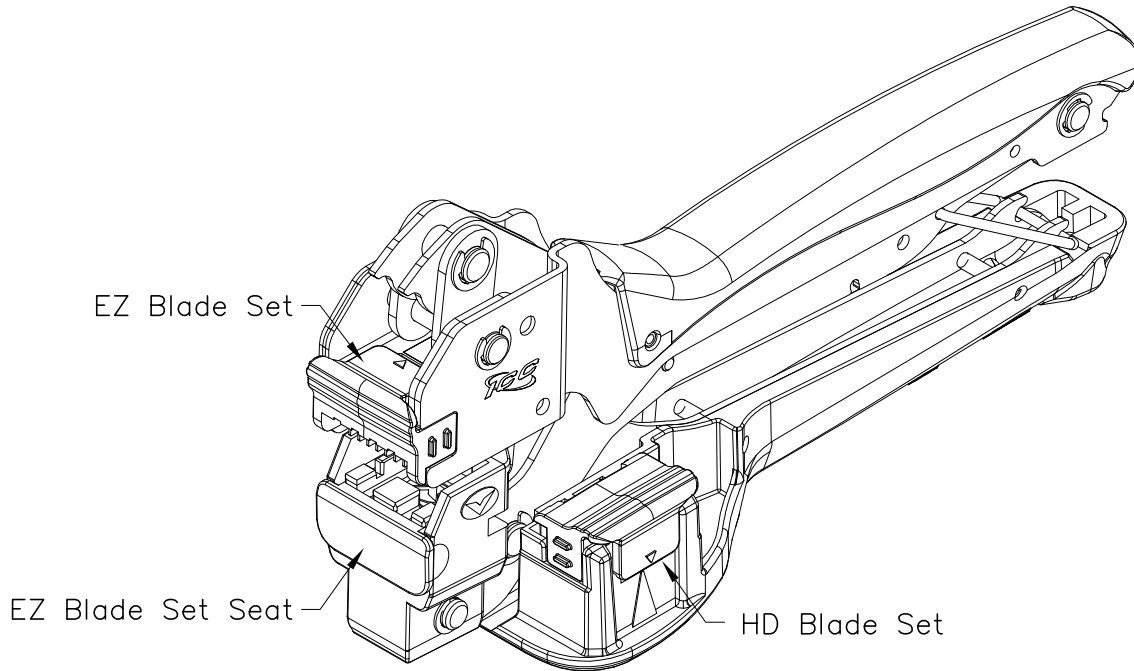
JackEasy Termination Tool

PRODUCT SPECIFICATION



Package includes:

- A. JackEasy Termination Tool, 1 pc
- B. EZ Blade Set, 1 pc
- C. EZ Blade Set Seat, 1 pc
- D. HD Blade Set, 1 pc



Features and Benefits:

- Designed with durable steel body.
- Terminates and cuts 4-pairs of UTP wires simultaneously making installations faster and easier.
- Swappable termination heads to accommodate both HD and EZ style modules.
- Ergonomic design allowing a comfortable fit throughout installations.
- Capable of termination on flat surfaces such as walls or floor.

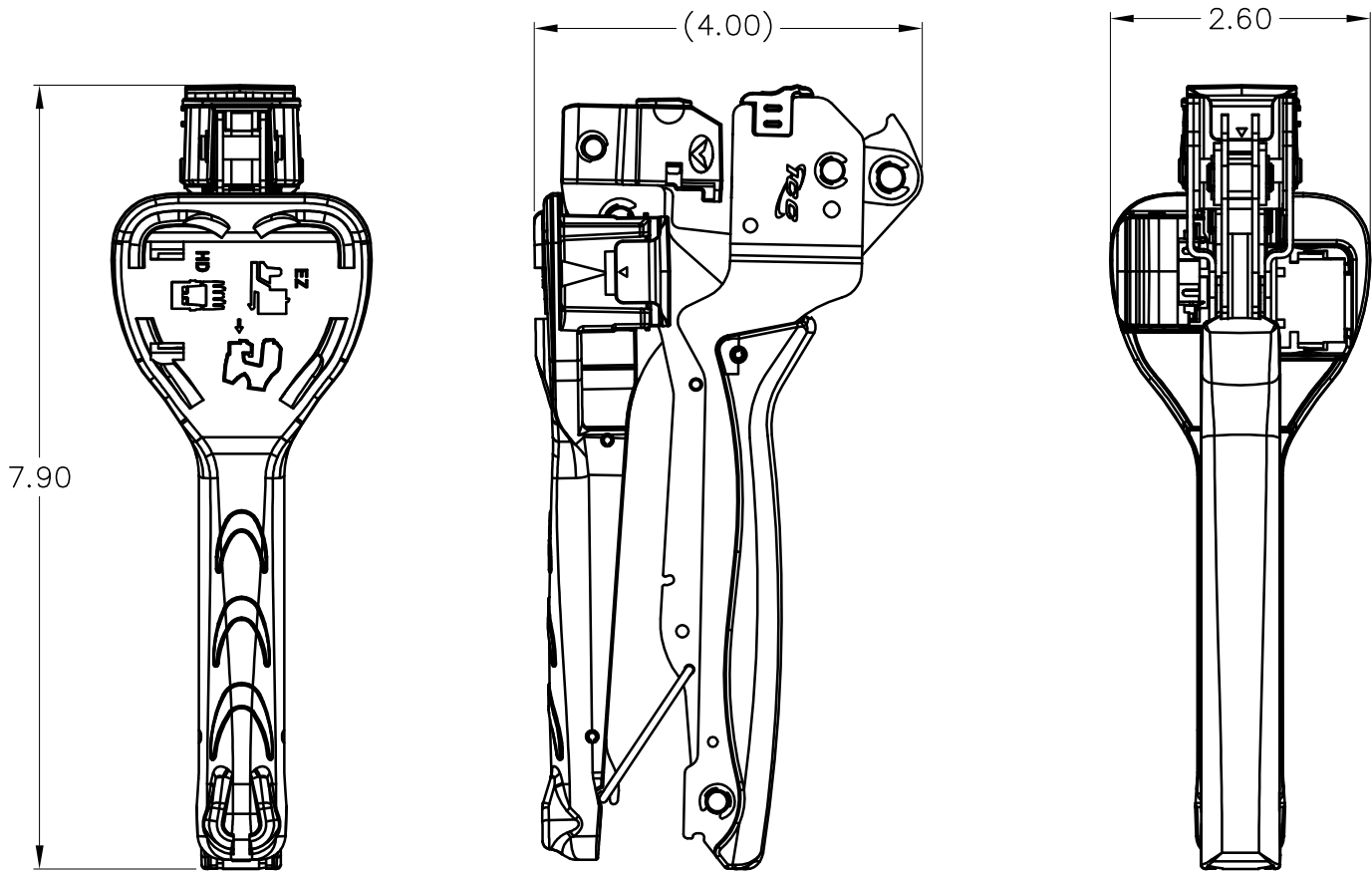
TOOL, JACKEASY, EZ/HD

ITEM NO. ICACSPDTEH
 DWG NO. PSACSPDTEH

REV. A
 PAGE NO. 1



CUSTOMER CARE / TECHNICAL SUPPORT * CSR@ICC.COM / 888-ASK-4-ICC (275-4422) * 14700 Alondra Blvd., La Mirada, CA 90638 * www.icc.com



NOTE: UNLESS OTHERWISE SPECIFIED


1. MATERIAL:

- A. FRAME: 16GA CRS,
FINISH: BLACK POWDER COAT
- B. CUTTER: SK-5
- C. EZ BLADE SET:
- NYLON+FIBER, BLUE
EZ BLADE SET SEAT:
- PC+FIBER, BLUE
- D. HD BLADE SET:
- NYLON+FIBER, BLACK
- E. HANDLES:
- BASE GRIP: PC+FIBER, BLACK
- GRIP: PP, BLACK

2. HARDNESS: BLADE: HRC 50-60



TOOL, JACKEASY, EZ/HD

ITEM NO.	ICACSPDTEH	REV.	A	 Premium Products Proven Performance Competitive Prices
DWG NO.	PSACSPDTEH	PAGE NO.	2	

CUSTOMER CARE / TECHNICAL SUPPORT * CSR@ICC.COM / 888-ASK-4-ICC (275-4422) * 14700 Alondra Blvd., La Mirada, CA 90638 * www.icc.com