



Floor and Wall Boxes Round Non-metallic

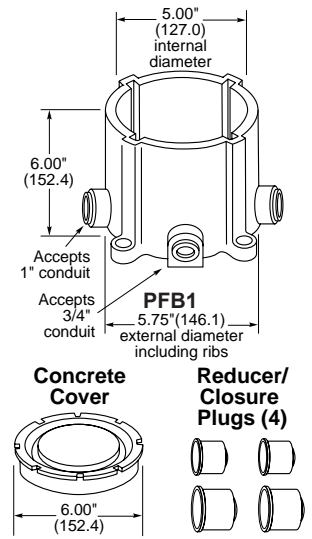


PFB1 with SF39253A Brass Cover

Hubbell round non-metallic Floor Boxes offer an economical solution for single and multi-service applications. These Floor Boxes accept non-metallic and brass covers and flanges.

Step 1: Order round non-metallic floor box.

Description	Catalog Number
Round non-metallic floor box with concrete cover and four reducers/closure plugs.	PFB1



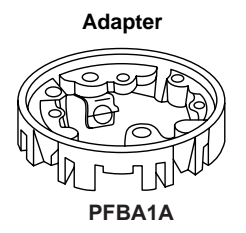
Specifications

Material	PVC
Depth of Pour	3.00" (76.2) minimum.
Capacity	100 cubic inches (1638.7 cm ³) or 19.5 cubic inches (319.5 cm ³) per inch of depth (prior to cutting level to floor).
Hubs	Four entry hubs two 1" & two 3/4".
Reducer/Closure Plugs	Dual purpose plugs close off unused hubs or act as reducers.
Plug Dimensions	Two 1" plugs close off 1" hub or reduce 1" hub to 3/4". Two 3/4" plugs close off 3/4" hub or reduce 3/4" hub to 1/2".
Conduit Selection	Accepts 1/2", 3/4", 1" schedule 40 and schedule 80 rigid PVC conduit, and E.N.T. (electrical non-metallic tubing).
UL File No.	E92074

Notes: Accepts steel conduit if female adapter PVC fittings are used. Use catalog number PFBYA1 3/4" "Y" adapter to feed parallel runs of 3/4" conduit.

Step 2: Order adapter (required in all installations).

Description	Catalog Number
Adapter includes four hangers for tile floors four retainer clips and screws.	PFBA1A



Specifications

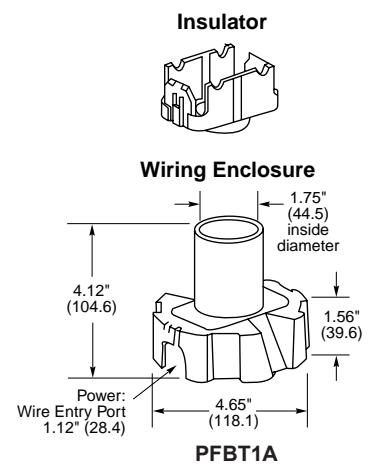
Material	PVC
Function	Required for each PFB1 floor box (accepts plastic and metallic floor box covers).

Mounting Hardware

Retainer Clips	Mechanically fasten adapter to PFB1 floor box with retainer clips and screws. Clips slide into slots in box wall.
Hangers	Four hangers snap onto adapter and provide added support (used in tile floor applications that utilize a metallic cover but no carpet flange).

Step 3: Order low voltage divider (required for multi-service application).

Description	Catalog Number
Low voltage divider for multi-service applications. Consists of one insulator and one wiring enclosure.	PFBT1A



Specifications

Material	PVC
Low Voltage Divider	Installs inside PFB1 floor box for multi-service applications. Use separate conduit runs for power and voice/data cables.
Insulator	Accepts Hubbell standard duplex receptacles or 15A Twist-Lock® duplex receptacles (HBL4700 series). Separates receptacle from low-voltage wiring.
Wiring Enclosure	Power Capacity: 19.60 cubic inches (321.2cm ³) plus 2.40 cubic inches (39.3 cm ³) per inch of tube.

Floor and Wall Boxes Round Non-metallic



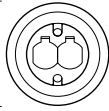
Step 4: Option A – Multi-service capability – select cover and flange assembly.

Catalog number PFBC Series

Plastic cover insert and carpet flange.

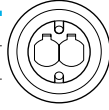
Non-metallic Covers

Catalog Numbers	Cover
PFBCBRA	Brown
PFBCIA	Ivory
PFBCGYA	Gray
PFBCBLA	Black

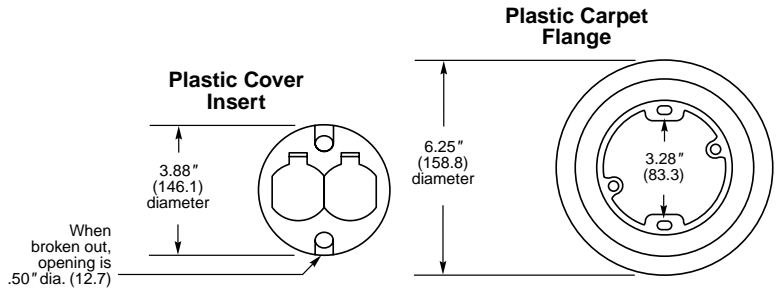


Metallic Cover

Catalog Number	Cover
SF39253A	Brass



Note: Includes floor box cover with duplex flap, two 1/2" diameter low voltage knockouts and matching carpet flanges.



Accessories

Description	Cover Material	Catalog Numbers	Description	Catalog Numbers
 Replacement cover for Hubbell PFBCBRA. Replacement cover for Hubbell PFBCIA. Replacement cover for Hubbell PFBCGYA. Replacement cover for Hubbell PFBCBLA. Replacement cover for Hubbell SF39253A.	Brown	PFBCBRA	 "Y" adapter for feeding parallel runs of 3/4" PVC conduit into a 3/4" hub or to feed in/out of the same side of PFB1 floor box.	PFBYA1
	Ivory	PFBCIA		
	Gray	PFBCGYA		
	Black	PFBCBLA		
	Brass	BRS2RCA		
 Thermoplastic carpet flange.	Brown	PFBFBRA	 Steel plate with 1" threaded opening (for use with above-floor service pedestals and furniture feed applications).	PFBP1
	Ivory	PFBFIA		
	Gray	PFBFGYA		
	Black	PFBFBLA		
			 Jack accessory: 8 position/8 wire (AT&T EIA568B) with prewired 15" leads, includes dust cover. Cat 3	TJ8

Note: See page M-11 for detailed product information on Hubbell TJ8.

Specifications

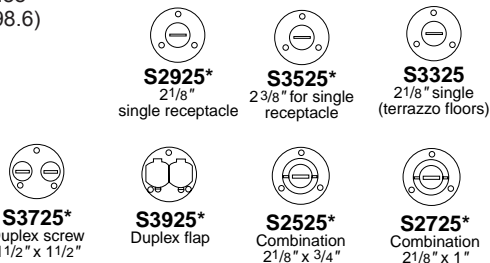
Material	Thermoplastic (ABS).
Colors Available	Brown, ivory, gray and black.
Capacities	Power – Accepts standard Hubbell duplex receptacles or 15A duplex Twist-Lock® receptacles (HBL4700 series). Low Voltage – Each 1/2" diameter knockout can accommodate up to one 25-pair telephone cable or one 50-wire data communications cable.

Option B – Single service capability – select metallic covers and accessories.

Round Individual Covers*

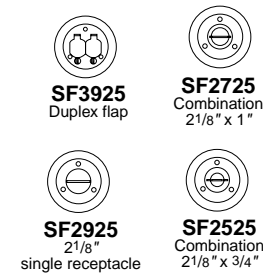
-Use cover and S3082 brass carpet flange on carpeted floors.
-Use cover and S5016 brass adapter ring on tile floors.

Diameter
3.88"
(98.6)



Combo Brass Covers one piece cover with flange (requires catalog no. S5016* adapter ring).

Diameter
6.25"
(158.8)



Metallic Carpet Flange (use with individual covers in carpet applications).

Diameter
6.25"
(158.8)



S3082

Brass Adapter Ring* (required when using metallic covers on tile floors).



S5016

Note: * Also available in aluminum. Use "SA" prefix.

