



iSTATION™ Front-Loading
Footprint.
High Definition Digital Video.
1080p Signal Transmission.
High Quality Gold Connection.

SPECIFICATIONS

- ◆ **Connector:** DVI Female to Female coupler. Gold-plated 2μ". Version DVI-I.
- ◆ **Video signal:** Digital video stream (Single) WUXGA 1920 × 1200 @ 60 Hz. (Dual) WQXGA (2560 × 1600) @ 60 Hz. Analog RGB video (-3 db at 400 MHz)
- ◆ **Data signal:** R,G,B data + clock and display data channel
- ◆ **Bandwidth:** (Single) 3.7 Gbit/s. (Dual) 7.4 Gbit/s or more.
- ◆ **Pins:** 29.

CABLE TERMINATION

Cable Type: Standard DVI Cable Assemblies
Note: Can not be field terminated.

- Standard DVI Distance Limitation:
 - 15 feet 1920 x 1200.
 - 50 feet 1280 x 1024.
- Greater than 50 feet always check Cable/Device Manufacturer's Specifications.

Hubbell DVI HDMI™ Distance Limitations:

- 36 feet device to device (Non-Active Hubbell 24 AWG Cable Assemblies).

CONNECTOR TERM

DVI: Digital Visual Interface is a video interface standard designed to maximize the visual quality of digital display devices such as flat panel LCD computer displays and digital projectors. It is designed to carry uncompressed digital video data to a display.

HDMI: High-Definition Multimedia Interface is a digital audio/video connector interface for transmitting uncompressed digital streams. HDMI connects through digital rights management (DRM) from the source to the device.

HUBBELL iStation™ DVI to HDMI Adapter

Female to Female adapter.



iSTATION™
Mounting
Flexibility

True HD Video.



Hubbell HDMI™
locking termination.

Hubbell's DVI-D to HDMI™ adapter provides an easy way to convert and run High Definition Video from a DVI-D device to a HDMI™ device. The high performance, high quality digital video connection is designed for minimal signal loss delivering true high definition video to the viewing device.

Providing flexibility and ease-of-use for digital video applications, our DVI to HDMI™ adapter fits into either a high-density 1 or 1.5U iSTATION™ module allowing for additional units to be placed into a single-gang faceplate for additional applications.

Create a customized multimedia work station outlet by adding a high-density DVI to HDMI™ adapter along with Hubbell's extensive line of AV connectors, iSTATION™ modules and XCELERATOR™ jacks.

APPLICATIONS SUPPORTED

- ▲ Projectors.
- ▲ Smart whiteboard technology.
- ▲ Flat panel monitors.
- ▲ Desktop and laptop computers.
- ▲ Audio/video receivers.
- ▲ Multimedia devices.

INSTALLATION TIPS

Important: Always allow for clearance behind connection location. Reference connector depth chart due to adapter's length. Always figure in the specified cable assembly's pre-molded boot and cable depth to ensure proper bend radius with DVI or HDMI™ cable assemblies.

Gold Plating: Gold plating encapsulates the connectors base metal (brass) to prevent oxidation/corrosion. It also has a more transparent (signal) conductive path over nickel (3x), which is closer to copper its transmitting over.

Distance limitations are dependent on the cable type and video applications; verify the applications being used before installing the cable.

Adapter, DVI to HDMI



Description	Catalog No.
DVI to HDMI™ Adapter, Female-to-Female	DVIHDMI1

Unloaded DVI Modules

Description	Catalog No.
DVI Blank, Unloaded, 1 Unit, 10-pk	IMBDVI1015XX
DVI Blank, Unloaded, 1 Unit, 1-pk	IMBDVI15XX

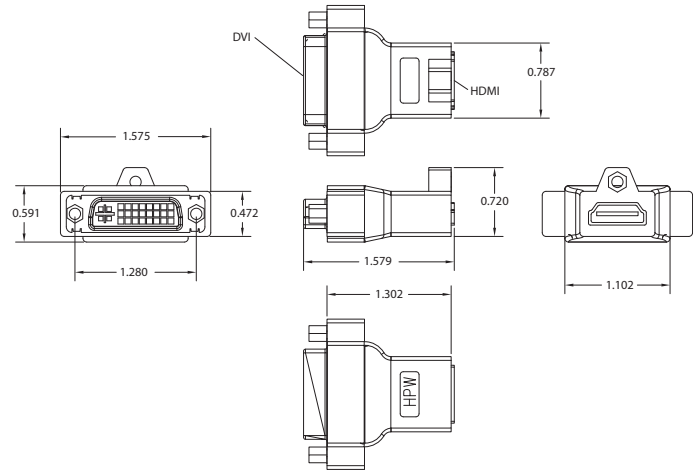
HDMI 15/9-pin Plates, Frames and Modules

Description	Catalog No.
HDMI 15/9-pin Blank, Unloaded, 1 Unit, 10-pk	IMBDS1XX
HDMI/15/9-pin Blank, Angled Unloaded, 1.5 Unit, 1-pk	IMBDSA15XX
Decorator Frame, HDMI, 15-/9-pin Blank Unloaded	ISFB15XX

XX = Housing Colors

"AL" = Almond; "BK" = Black; "EI" = Electric Ivory; "GY" = Gray; "LA" = Light Almond; "OW" = Office White; "W" = White.

DIMENSIONS



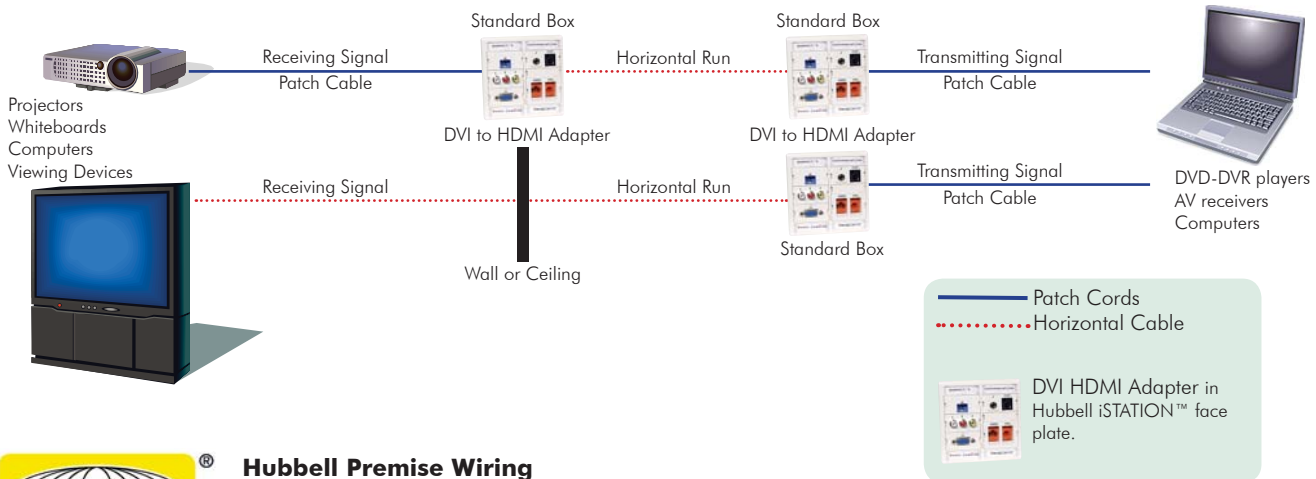
CONNECTOR DEPTH CHART

DVI

HDMI



TYPICAL APPLICATIONS



Hubbell Premise Wiring

HUBBELL INCORPORATED (Delaware)
 14 Lord's Hill Road • Stonington, CT 06378-0901 • (860) 535-8326 • 800-626-0005
 Fax: (860) 535-8328 • Internet site: <http://www.hubbell-premise.com>

DS-C124 3/08

Worldwide Locations

Hubbell Premise Wiring, Asia Pacific	852-2836-7131	Fax: 852-2836-7132	Hubbell Premise Wiring, Latin America	305-408-4501	Fax: 305-408-8201
Hubbell Canada Inc.	905-839-1138	Fax: 905-839-9108	Hubbell de Mexico, S.A. de C.V.	(5255) 9151-9999	Fax: (5255) 9151-9989
Hubbell Premise Wiring, Central America	506-309-4158	Fax: 506-260-1616	Hubbell Premise Wiring, Middle East	971-4-393-4192	Fax: 971-4-393-4194
Hubbell Premise Wiring, China	86-21-6374 2660	Fax: 86-21-6374 2799	Hubbell Premise Wiring, Puerto Rico	787-855-1075	Fax: 787-855-3265
Hubbell Premise Wiring, Europe	44-01283 500500	Fax: 44-01283 500400	Hubbell-Taian Co., Ltd., Taiwan	886-2-2522-1862	Fax: 886-2-2522-1872
Hubbell Premise Wiring, India	91-80-4022-4089	Fax: 91-80-4022-4033	Hubbell Premise Wiring, Venezuela	58-212-5156482	Fax: 58-212-6627258
Hubbell Int'l. Inc., Korea Branch	(82 2) 2607 1363	Fax: (82 2) 2603 7386			