



HUBBELL iStation Audio/Video Connectors, 9-pin Screw Terminal

iSTATION™ Front-Loading Footprint.
 RS232 Data Transmission.
 Solderless - Screw Termination.
 Seamless Hubbell System Integration.

Female to screw terminal.



iSTATION™ Mounting Flexibility.

Easy Termination.

SPECIFICATIONS

- ◆ **Connector:**
 - 9-pin PCB Mount
 - 9-pin Contact: Gold Plated 2μ"
 - Screw Term Contact: Brass with Nickel-plating 100μ"
- ◆ **Performance:** Serial - RS232 Data Transmission.

Hubbell's high-density 9-pin screw terminal provides an easy way to run serial data applications. The high quality connection is designed for minimal signal loss.

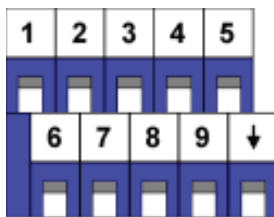
Providing flexibility and ease-of-use for serial applications, our DB9 screw terminal fits into a high-density 1 unit iSTATION™ module allowing for 2 additional units to be placed into a single gang faceplate for additional applications.

Create a customized multimedia workstation outlet by adding a high-density DB9 screw terminal along with Hubbell's extensive line of AV connectors, iSTATION™ modules and XCELERATOR™ jacks.

CABLE TERMINATION

- Cable Type:**
- Standard 9-pin cable
 - UTP - Unshielded Twisted Pair
 - STP/ScTP/FTP

Screw Terminal Block Pin Out:



APPLICATIONS SUPPORTED

- ▲ **Common RS232 Protocols:**
 - Transmitted Data (TxD)
 - Received Data (RxD)
 - Request To Send (RTS)
 - Clear To Send (CTS)
 - Data Terminal Ready (DTR)
 - Data Set Ready (DSR)
 - Data Carrier Detect (DCD)
 - Ring Indicator (RI)
- ▲ **Common RS232 Applications:**
 - AV Control Systems
 - White Boards
 - Asset/Device Management

CONNECTOR TERM

9-Pin D-subminiature or **HD 9-pin D-sub** is a common connector used for data communications. The most common application of D-sub is RS-232 serial communications. Serial communications used to transfer information between two devices using RS-232 protocol. Serial cables most commonly use the 9-pin D-subminiature, but other types of connectors can be used.

INSTALLATION TIPS

Important: Always allow for clearance behind connection location to ensure proper bend radius with Serial cable assemblies.

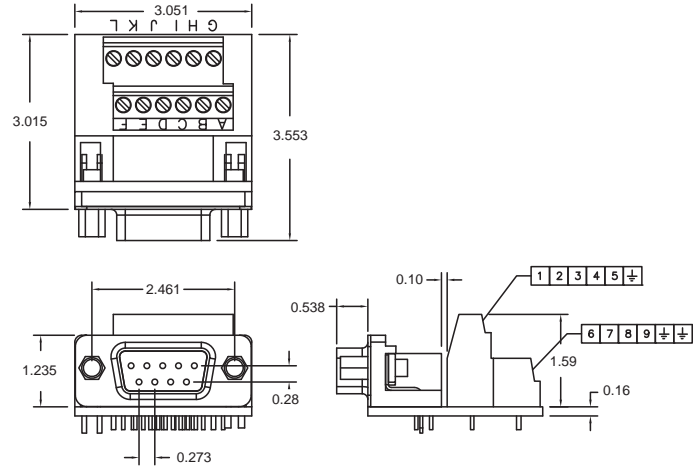


AV Connector, 9-pin Screw Terminal



Qty. 10-pack
 Catalog No. **9ST10**

DIMENSIONS



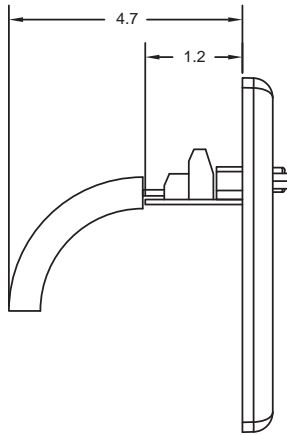
Unloaded 15-/9-pin HDMI Plates, Frames, Modules

Description	Catalog No.
HDMI 15/9-pin Blank, Unloaded, 1 Unit, 10-pk	IMBDS1XX
HDMI/15/9-pin Blank, Angled Unloaded, 1.5 Unit, 1-pk	IMBDSA15XX
HDMI 15/9-pin AV, Panel Mount Connector, 3.5mm, Blank, 2 Unit, 1-pk	IMB153X2XX
HDMI 15/9-pin, 3.5mm, Blank, 1.5 Unit 10-pk	IMB15315XX
HDMI 15/p-Pin, Decorator Frame, 1-gang, 1-pk	ISFB15XX

XX = Housing Colors

"AL" = Almond; "BK" = Black; "EI" = Electric Ivory; "GY" = Gray;
 "LA" = Light Almond; "OW" = Office White; "W" = White.

CONNECTOR DEPTH CHART



iSTATION™ COMPATIBLE

Work Station and Cross-Connect Solutions

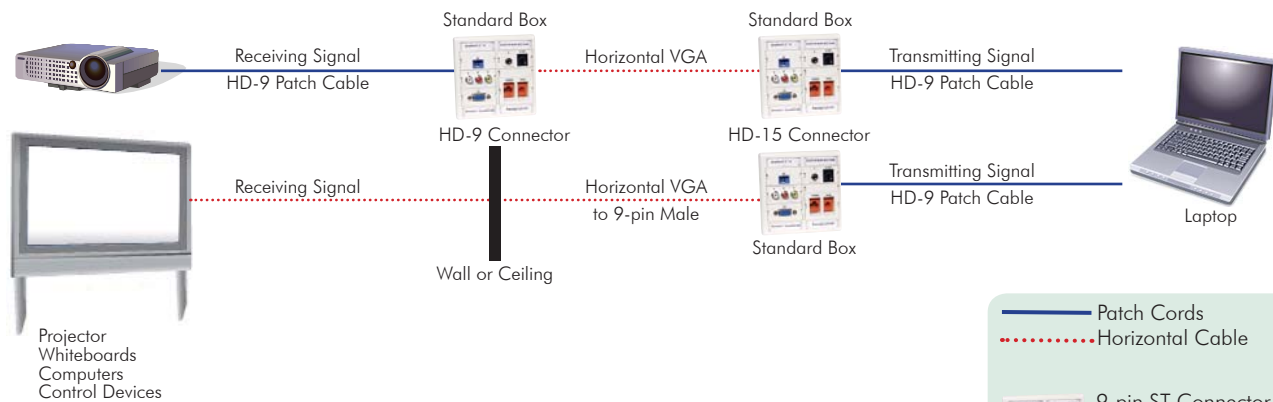
- iSTATION™ Front-loading Plates
- Decorator Frames
- iSTATION™ UDX Multimedia Panels
- iFRAME® Vertical Patch Panel

Hubbell Delivery Systems

- Hubbell SystemOne Poke-Throughs and Floor Boxes
- Hubbell Surface Raceway, Metal and Non-Metallic
- Multi-Connect™ Wall Boxes/Conference Table Boxes



TYPICAL APPLICATIONS



— Patch Cords
 Horizontal Cable

9-pin ST Connector in Hubbell iSTATION™ face plate.



Hubbell Premise Wiring

HUBBELL INCORPORATED (Delaware)
 14 Lord's Hill Road • Stonington, CT 06378-0901 • (860) 535-8326 • 800-626-0005
 Fax: (860) 535-8328 • Internet site: <http://www.hubbell-premise.com>

Worldwide Locations

Hubbell Premise Wiring, Asia Pacific
 Hubbell Canada Inc.
 Hubbell Premise Wiring, Central America
 Hubbell Premise Wiring, China
 Hubbell Premise Wiring, Europe
 Hubbell Premise Wiring, India
 Hubbell Int'l. Inc., Korea Branch

852-2836-7131
 905-839-1138
 506-309-4158
 86-21-6374 2660
 44-01283 500500
 91-80-4022-4089
 (82 2) 2607 1363

Fax: 852-2836-7132
 Fax: 905-839-9108
 Fax: 506-260-1616
 Fax: 86-21-6374 2799
 Fax: 44-01283 500400
 Fax: 91-80-4022-4033
 Fax: (82 2) 2603 7386

Hubbell Premise Wiring, Latin America
 Hubbell de Mexico, S.A. de C.V.
 Hubbell Premise Wiring, Middle East
 Hubbell Premise Wiring, Puerto Rico
 Hubbell-Taian Co., Ltd., Taiwan
 Hubbell Premise Wiring, Venezuela

305-408-4501
 (5255) 9151-9999
 971-4-393-4192
 787-855-1075
 886-2-2522-1862
 58-212-5156482

Fax: 305-408-8201
 Fax: (5255) 9151-9989
 Fax: 971-4-393-4194
 Fax: 787-855-3265
 Fax: 886-2-2522-1872
 Fax: 58-212-6627258