



ORTRONICS®

125 EUGENE O'NEILL DRIVE
NEW LONDON, CT 06320
TEL: 860-445-3800
FAX: 860-405-2990

TITLE

**MIGHTY MO 6
CABLE MANAGEMENT RACK**

**MIGHTY MO 6 CABLE MANAGEMENT SYSTEM
ASSEMBLY INSTRUCTIONS**

NOTE: Instruction for both 19" and 23" panels. Rack for 19" panel is shown; rack for 23" panel uses the inside mounting holes as shown on sheet 3.

STEPS:

1. Before assembling MIGHTY MO rack, please inventory material contents per sheet 2 and schematic inside hardware kit cover .
2. The MIGHTY MO uprights have EIA rack unit numerals every 5 units and can be assembled with rack unit #1 at the bottom or at the top. Insure both uprights start the same. Attach the two upright side rails to the base angles using 3/8 x 1" hex head bolts, lock washers, and speed nuts.
3. Attach top front waterfall and rear ladder rail to top of upright rails using 3/8 x 1" hex head bolts, lock washers and speed nuts.
4. Install bend limiters in slots on front waterfall and rear ladder rail. Hole in bracket installs on rear rail. Secure bracket using two #10 X 1/2" hex washer-head screws. The screws should be installed from outside of rear rail.
5. Install separator plate on inside of top waterfall using two #10 X 1/2" hex washer-head screws. The screws should be installed from the outside of the waterfall.
6. Install Hook-Loop wire management straps in vertical slots on inside uprights as required.
7. See sheet 4 for multiple rack configuration(s) and layout of floor mounting.
8. To secure rack(s) to floor, use 7/8 diameter holes provided in base of rack. The installation vendor should provide mounting hardware to secure rack to floor following local and state codes.



716014051

INSTRUCTION SHEET #	REV.	ECN #	SHEET	DWN.BY:	DATE	CHK.BY:	DATE	APP.BY:	DATE
OR-71601405	00		1 of 4	LEVESQUE	10/27/03	JIM LUCY	11/03/03	MEM	11/03/03



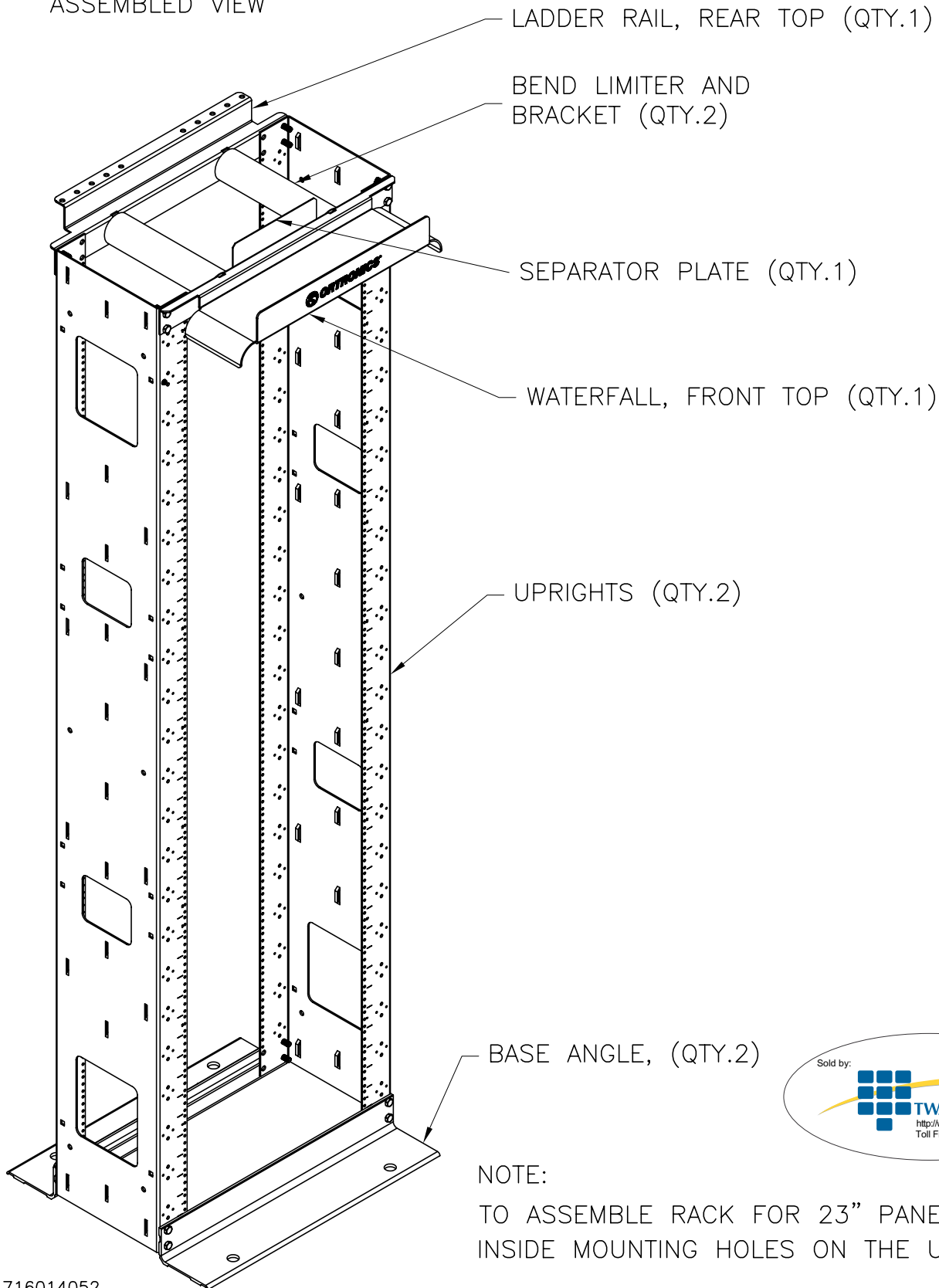
ORTRONICS®

125 EUGENE O'NEILL DRIVE
NEW LONDON, CT 06320
TEL: 860-445-3800
FAX: 860-405-2990

TITLE

**MIGHTY MO 6
CABLE MANAGEMENT RACK**

RACK FOR 19" PANEL (AS SHOWN) TYPICAL
ASSEMBLED VIEW



NOTE:
TO ASSEMBLE RACK FOR 23" PANELS USE THE
INSIDE MOUNTING HOLES ON THE UPRIGHTS.



716014052

INSTRUCTION SHEET #	REV.	ECN #	SHEET	DWN.BY:	DATE	CHK.BY:	DATE	APP.BY:	DATE
OR-71601405	00		2 of 4	LEVESQUE	10/27/03	JIM LUCY	11/03/03	MEM	11/03/03

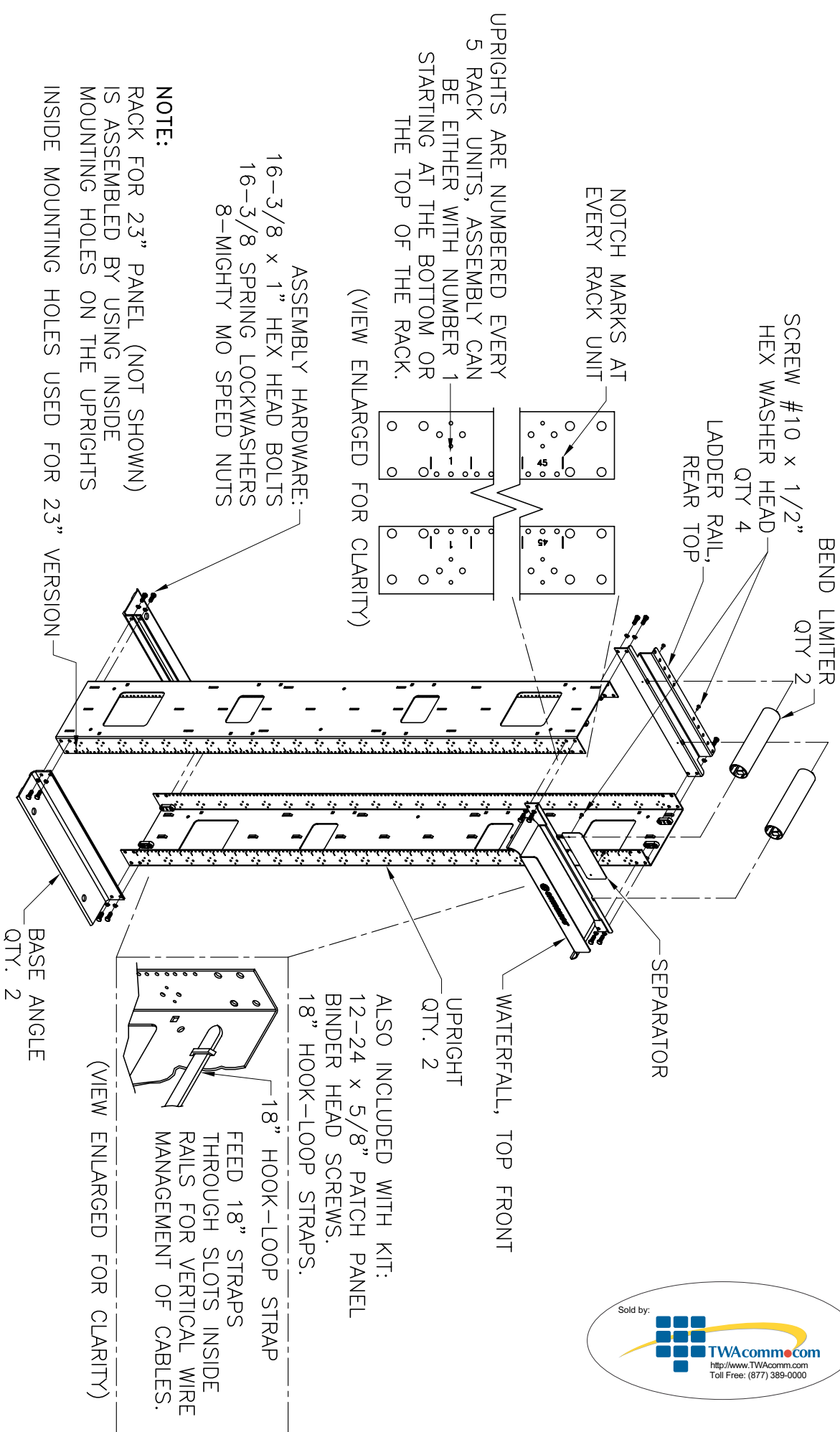


ORTRONICS

125 EUGENE O'NEILL DRIVE
NEW LONDON, CT 06320
TEL: 860-445-3800
FAX: 860-405-2990

TITLE
MIGHTY MO 6
CABLE MANAGEMENT RACK

RACK FOR: 19" PANEL (SHOWN) ASSEMBLY FIGURES.



716014053	INSTRUCTION SHEET NUMBER	REV	ECN	SHEET	DWN.BY:	DATE	CHK.BY:	DATE	APP.BY:	DATE
OR-71601405	00			3 OF 4	LEVESQUE	10/27/03	JIM LUCY	11/03/03	MEM	11/03/03

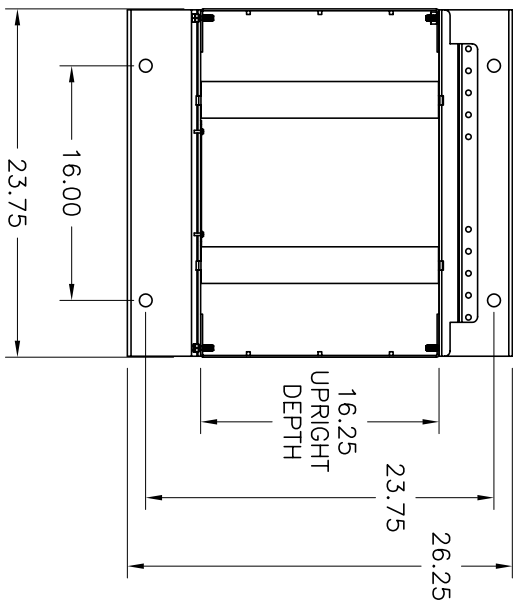
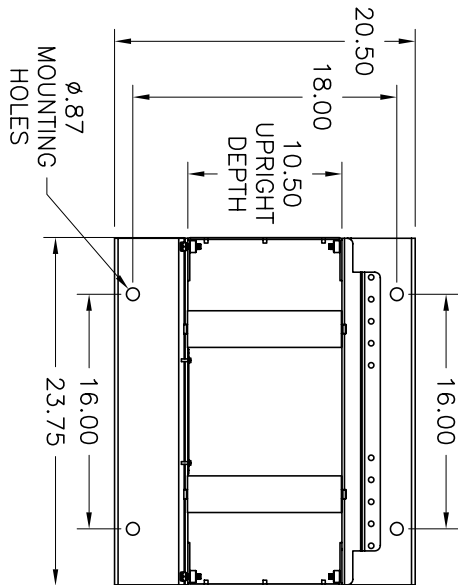


ORTRONICS®

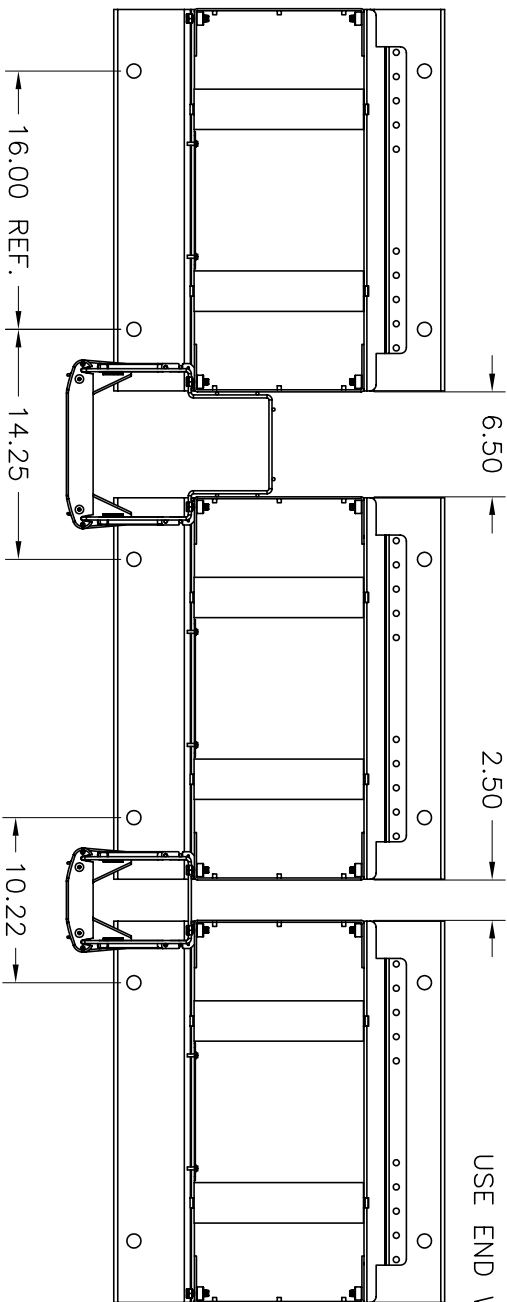
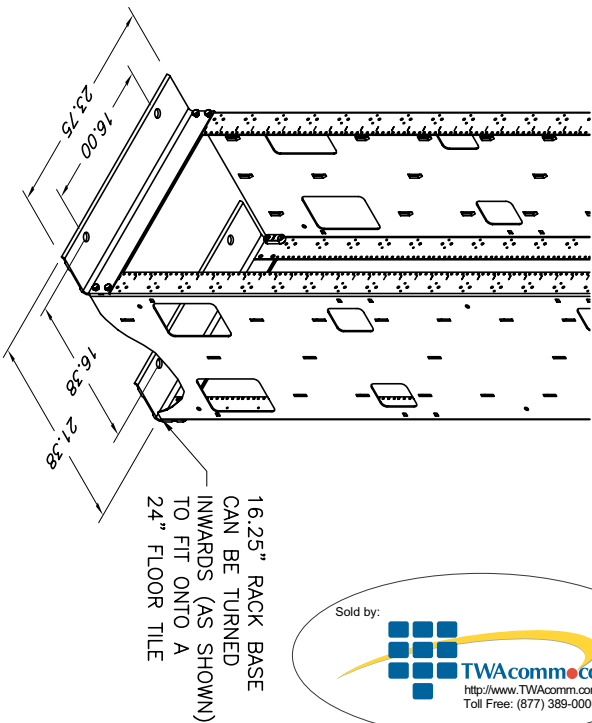
125 EUGENE O'NEILL DRIVE
NEW LONDON, CT 06320
TEL: 860-445-3800
FAX: 860-405-2990

TITLE
**MIGHTY MO 6
CABLE MANAGEMENT RACK**

FLOOR MOUNTING OPTIONS



SINGLE RACK LAYOUT



RACK LAYOUT FOR 10" "Y" SHAPE CAGE

RACK LAYOUT FOR 6" CAGE

USE END WITH HOLE FOR STARTING

MULTIPLE RACK SPACER, 3 PROVIDED.

USES RACK ASSEMBLY HARDWARE, LOCATE AT BOTTOM AND TOP OF RACK BEFORE SECURING RACK TO THE FLOOR

716014054

INSTRUCTION SHEET NUMBER	REV	ECN	SHEET	DWN.BY:	DATE	CHK.BY:	DATE	APP.BY:	DATE
OR-71601405	00		4 OF 4	LEVESQUE	10/27/03	JIM LUCY	11/03/03	MEM	11/03/03