

AI-HS100

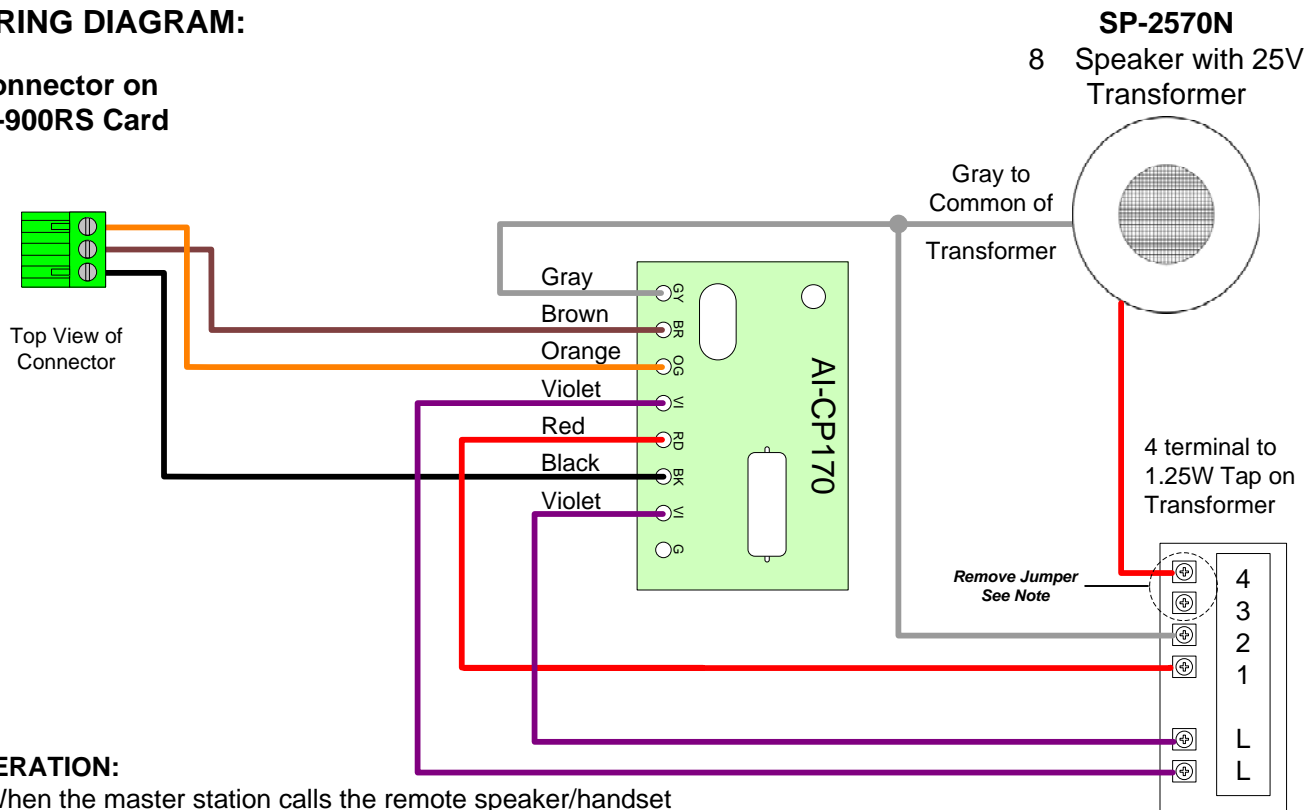
Handset Sub with Off-hook Calling, 25V Speaker, and AI-CP170 board

- INSTRUCTIONS -

The AI-HS100 is a handset sub station used in conjunction with the AI-CP170 Interface board and a 25V speaker as a remote station on the AI-900 system. The handset offers off-hook ringing to the master station, two-way communication, and muting the overhead speaker when picked up. Use this configuration in areas where open voice and handset remote stations are needed.

WIRING DIAGRAM:

Connector on
AI-900RS Card



OPERATION:

1. When the master station calls the remote speaker/handset station, audio communication will be through the speaker.
2. If the handset is picked up during communication, audio will be routed through the handset and will not be heard through the speaker.
3. To place a call, simply pick up the handset and wait for a reply from the master station.
4. To conclude the call, hang up the handset.

Note:

If using AI-HS100 without a speaker leave the jumper between pins 3 and 4 installed. If using the AI-HS100 with a speaker remove the brass jumper.

SPECIFICATIONS:

See specifications contained in standard product literature.

AI-HS100

