



INSTRUCTION MANUAL

POWER TRANSFORMER UNIT

AI-PU200

Please follow the instructions in this manual to obtain the optimum results from this unit. We also recommend that you keep this manual handy for future reference.

1. SAFETY PRECAUTIONS

- Be sure to read the instructions in this section carefully before use.
- Make sure to observe the instructions in this manual as the conventions of safety symbols and messages regarded as very important precautions are included.
- We also recommend you keep this instruction manual handy for future reference.

WARNING

Indicates a potentially hazardous situation which, if mishandled, could result in death or serious personal injury.

When Installing the Unit

- Do not expose the unit to rain or an environment where it may be splashed by water or other liquids, as doing so may result in fire or electric shock.
- Use the unit only with the voltage specified on the unit. Using a voltage higher than that which is specified may result in fire or electric shock.
- Do not cut, kink, otherwise damage nor modify the power supply cord. In addition, avoid using the power cord in close proximity to heaters, and never place heavy objects -- including the unit itself -- on the power cord, as doing so may result in fire or electric shock.
- Install the unit only in a location that can structurally support the weight of the unit and the mounting bracket. Doing otherwise may result in the unit falling down and causing personal injury and/or property damage.
- Do not use other methods than specified to mount the bracket. Extreme force is applied to the unit and the unit could fall off, possibly resulting in personal injuries.

When the Unit is in Use

- Should the following irregularity be found during use, immediately disconnect the power supply plug from the AC outlet and contact your nearest AIPHONE dealer. Make no further attempt to operate the unit in this condition as this may cause fire or electric shock.
 - If you detect smoke or a strange smell coming

- from the unit.
 - If water or any metallic object gets into the unit
 - If the unit falls, or the unit case breaks
 - If the power supply cord is damaged (exposure of the core, disconnection, etc.)
 - If it is malfunctioning (no tone sounds.)
- To prevent a fire or electric shock, never open nor remove the unit case as there are high voltage components inside the unit. Refer all servicing to your nearest AIPHONE dealer.
- Do not insert nor drop metallic objects or flammable materials in the ventilation slots of the unit's cover, as this may result in fire or electric shock.
- Do not touch a plug during thunder and lightning, as this may result in electric shock.

CAUTION

Indicates a potentially hazardous situation which, if mishandled, could result in moderate or minor personal injury, and/or property damage.

When Installing the Unit

- Never plug in nor remove the power supply plug with wet hands, as doing so may cause electric shock.
- When unplugging the power supply cord, be sure to grasp the power supply plug; never pull on the cord itself. Operating the unit with a damaged power supply cord may cause a fire or electric shock.
- Do not block the ventilation slots in the unit's cover. Doing so may cause heat to build up inside the unit and result in fire.
- Avoid installing the unit in humid or dusty locations, in locations exposed to the direct sunlight, near the heaters, or in locations generating sooty smoke or steam as doing otherwise may result in fire or electric shock.

When the Unit is in Use

- If dust accumulates on the power supply plug or in the wall AC outlet, a fire may result. Clean it periodically. In addition, insert the plug in the wall outlet securely.

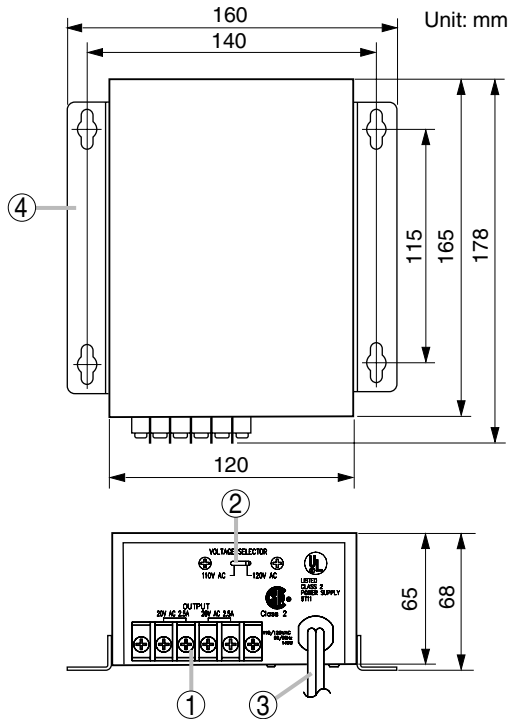
2. GENERAL DESCRIPTION

The AI-PU200 is a power transformer unit having 2 outputs of 20 V AC and 2.5 A each. It can be mounted on the wall.

3. HANDLING PRECAUTION

This product is designed for exclusive use of AIPHONE intercom systems. Do not use for other systems.

4. NOMENCLATURE

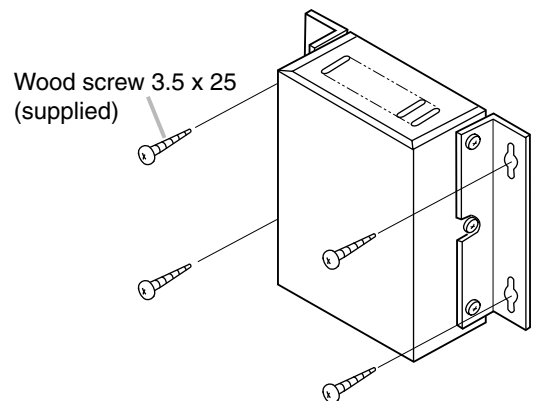
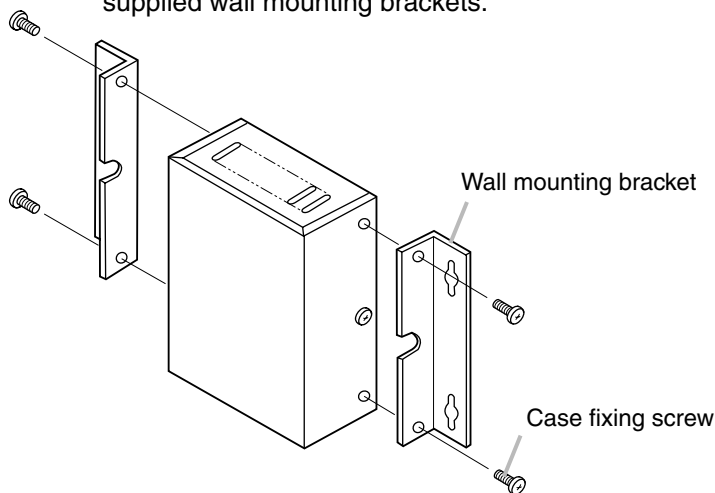


1. Terminal block
2. Input voltage selector
3. AC cord
4. Wall mounting bracket

5. INSTALLATION

Step 1. Remove 4 case fixing screws and fit the supplied wall mounting brackets.

Step 2. Fix the unit on the wall. Use the supplied wood screws (3.5 x 25) as appropriate for mounting.



6. SPECIFICATIONS

Power Requirements	110 V/120 V AC, 50/60 Hz
Output Voltage	20 V AC (2 outputs)
Output Current	2.5 A (2 outputs)
Finish	Pre-coated steel plate, ivory
Dimensions	160 (w) x 68 (h) x 178 (d) mm
Weight	2.8 kg

• Accessories

- Mounting brackets 2
 Round head wood screw (3.5 x 25) 4



Note: The design and specifications are subject to change without notice for improvement.