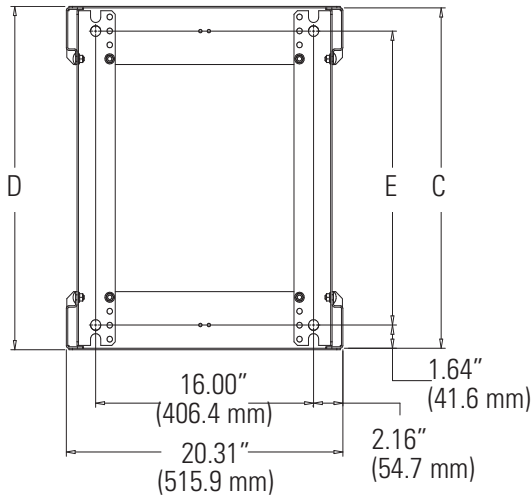


Bottom View - Section A-A



Notes:

1. There are seven depth settings for each part number as listed in the table.
2. Each rack adjusts front-to-rear in depth up to 5.91" (150 mm) in .98" (25 mm) increments.
3. Rack mounting channel depth is fixed once assembled.
4. Overall Depth (D) is Channel Depth (C) + .21" (5.3 mm).
5. Floor Mounting Holes (E) are Channel Depth (C) - 3.28" (83.3 mm).

Mounting Channel Depth Settings and Dimensions by Part Number

Part Numbers		Channel Depth (C)		Overall Depth (D)		Floor Mounting Holes (E)	
		in	mm	in	mm	in	mm
15215-XXX	15211-XXX	15.75	400	15.96	405.4	12.47	316.7
		16.73	425	16.94	430.3	13.45	341.6
		17.72	450	17.93	455.4	14.44	366.8
		18.70	475	18.91	480.3	15.42	391.7
		19.69	500	19.90	505.5	16.41	416.8
		20.67	525	20.88	530.4	17.39	441.7
		21.65	550	21.86	555.2	18.37	466.6
15216-XXX	15212-XXX	22.64	575	22.85	580.4	19.36	491.7
		23.62	600	23.83	605.3	20.34	516.6
		24.61	625	24.82	630.4	21.33	541.8
		25.59	650	25.80	655.3	22.31	566.7
		26.57	675	26.78	680.2	23.29	591.6
		27.56	700	27.77	705.4	24.28	616.7
		28.54	725	28.75	730.3	25.26	641.6
15217-XXX	15213-XXX	29.53	750	29.74	755.4	26.25	666.8
		30.51	775	30.72	780.3	27.23	691.6
		31.50	800	31.71	805.4	28.22	716.8
		32.48	825	32.69	830.3	29.2	741.7
		33.46	850	33.67	855.2	30.18	766.6
		34.45	875	34.66	880.4	31.17	791.7
		35.43	900	35.64	905.3	32.15	816.6
15218-XXX	15214-XXX	36.42	925	36.63	930.4	33.14	841.8
		37.40	950	37.61	955.3	34.12	866.6
		38.39	975	38.60	980.4	35.11	891.8
		39.37	1000	39.58	1005	36.09	916.7
		40.35	1025	40.56	1030	37.07	941.6
		41.34	1050	41.55	1055	38.06	966.7
		42.32	1075	42.53	1080	39.04	991.6

Solid and Vented Shelves

Supports heavy peripheral equipment. 1U x 19"W steel, shelf with adjustable depth rear mounting brackets with solid or vented support surface; 17.68"W (449.1 mm). Supports 200 lb (90.7 kg) of equipment, includes assembly hardware.



Shelves		Shelf Depth in (mm)	Mounting Channel Depth in (mm)	Shipping Weight lb (kg)
Solid	Vented			
15245-X01	15255-X01	13.84 (351.5)	15.75 to 21.65 (400 to 550)	10 (4.5)
15245-X02	15255-X02	20.73 (526.5)	22.64 to 28.54 (575 to 725)	12 (5.4)
15245-X03	15255-X03	27.62 (701.6)	29.53 to 35.43 (750 to 900)	15 (6.8)
15245-X04	15255-X04	34.51 (876.6)	36.42 to 42.32 (925 to 1075)	18 (8.2)

X=Color; 1=Gray, 2=White, 7=Black