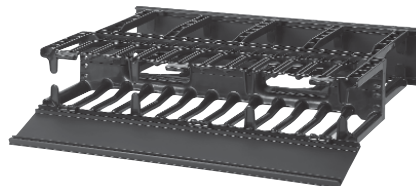


specifications

The high capacity horizontal cable managers shall be capable of managing high performance cable on the front and rear of any 19" EIA rack. The high capacity horizontal cable managers shall be molded plastic with bend radius fingers that protect the cable. The fingers shall be inset towards the rack to allow easy access to patch cords and terminations. Standard pass through holes shall incorporate bend radius control. Dual hinged covers shall allow access to the cable pathway.



technical information

Dimensions:	
NM1:	1.7"H x 19.0"W x 13.1"D (44mm x 482mm x 332mm)
NM2:	3.5"H x 19.0"W x 13.1"D (88mm x 482mm x 332mm)
NM3:	5.2"H x 19.0"W x 13.1"D (133mm x 482mm x 332mm)
NM4:	7.0"H x 19.0"W x 13.1"D (177mm x 482mm x 332mm)
NMF1:	1.7"H x 19.0"W x 6.2"D (44mm x 482mm x 157mm)
NMF2:	3.5"H x 19.0"W x 6.2"D (88mm x 482mm x 157mm)
NMF3:	5.2"H x 19.0"W x 6.2"D (133mm x 482mm x 157mm)
NMF4:	7.0"H x 19.0"W x 6.2"D (177mm x 482mm x 157mm)

key features and benefits

Inset fingers	Fingers slope inward offering greater access to network cabling for easier moves, adds, and changes
Deep Channel Opening	Provides increased cable capacity in less rack space
Front finger spacing	Wide front finger openings easily accommodate Category 6 and 10 Gig cables speeding installation and reducing maintenance costs
Rear finger spacing	Rear cable management finger spacing utilizes open D-rings for greater accessibility
Dual hinged cover	Opens 110 degrees to the top or bottom to provide complete access to the horizontal pathway without having to remove the cover
Flush appearance with NETRUNNER™ High Capacity Vertical Cable Manager	Used together to improve data center and telecommunication room aesthetics

applications

PANDUIT® NETMANAGER™ High Capacity Horizontal Cable Managers provide an efficient way to manage high performance copper, fiber optic, or coaxial cables on any 19" rack. Fixed inset fingers on the front and back allow easier access to the ports for moves, adds, and changes. Fixed bend radius fingers organize and protect patch cords as they exit patch panels and as they transition into the vertical pathway. All of these features combine to

provide the user with a horizontal cable management solution that simplifies cable routing in a finished professional appearance. When used with PANDUIT® MINI-COM® Patch Panels, patch cords, vertical cable managers and racks, the user receives a total system that satisfies functional and aesthetic requirements for data centers and telecommunications rooms.

www.panduit.com

Horizontal Cable Managers

Front and Rear

1 RU manager, front and rear:	NM1
2 RU manager, front and rear:	NM2
3 RU manager, front and rear:	NM3
4 RU manager, front and rear:	NM4

Front Only

1 RU manager front only:	NMF1
2 RU manager front only:	NMF2
3 RU manager front only:	NMF3
4 RU manager front only:	NMF4

NETRUNNER™ High Capacity Vertical Managers

Front and rear vertical manager: WMPVHC45E

Front only vertical manager: WMPVHCF45E

PANDUIT Racks

19" x 7" EIA Standard: CMR19X84

NETFRAME® Rack 7': NFR84

4 Post Rack with #12-24 threaded rails: CMR4P84

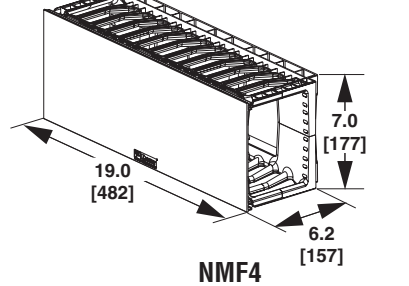
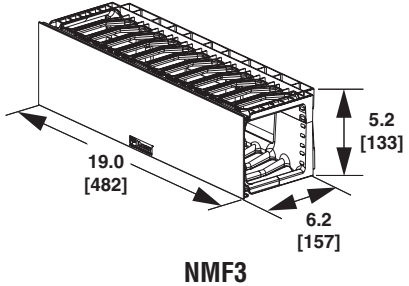
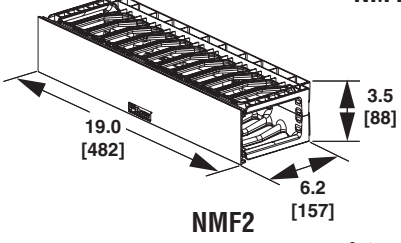
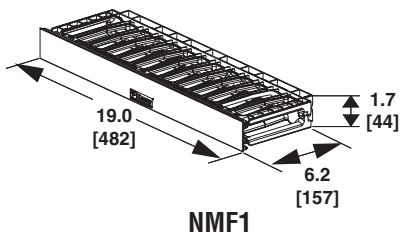
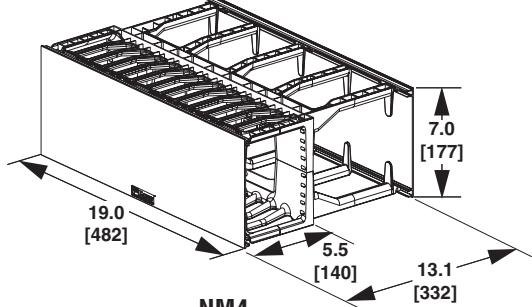
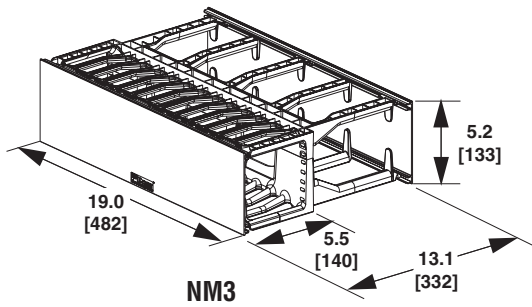
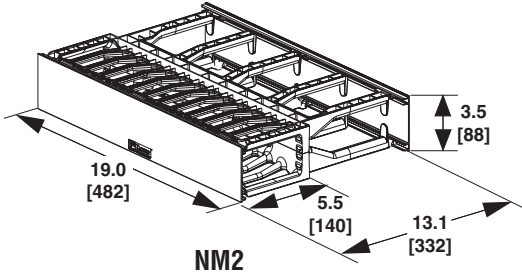
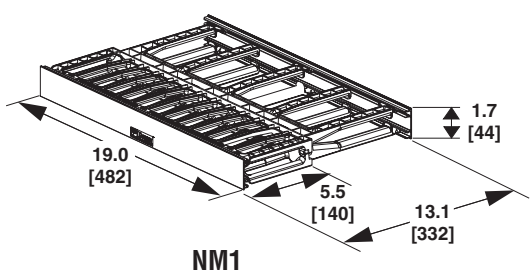
4 Post Rack with cage nuts: CMR4P84CN

Panel Extender Brackets

1 RU: PEB1
2 RU: PEB2



NETMANAGER™ High Capacity Horizontal Cable Managers



Cable Capacity Chart										
Part No.	Category 6A .354		Category 6A .310		Category 6 .250		Category 5E .188		Fiber 3mm	
	Front	Back	Front	Back	Front	Back	Front	Back	Front	Back
NM1	12	12	12	12	24	24	48	48	120	120
NM2	36	36	48	48	78	78	138	138	348	348
NM3	66	66	84	84	132	132	246	246	618	618
NM4	96	96	120	120	192	192	348	348	882	882
NMF1	12	—	12	—	24	—	48	—	120	—
NMF2	36	—	48	—	78	—	138	—	348	—
NMF3	66	—	84	—	132	—	246	—	618	—
NMF4	96	—	120	—	192	—	348	—	882	—

Note: Based on 40% Fill Capacity

Dimensions are in inches [Dimensions in brackets are metric]

WORLDWIDE SUBSIDIARIES AND SALES OFFICES

PANDUIT CANADA
Markham, Ontario
cs-cdn@panduit.com
Phone: 800.777.3300

PANDUIT EUROPE LTD.
London, UK
cs-emea@panduit.com
Phone: 44.20.8601.7200

PANDUIT SINGAPORE PTE. LTD.
Republic of Singapore
cs-ap@panduit.com
Phone: 65.6379.6700

PANDUIT JAPAN
Tokyo, Japan
cs-japan@panduit.com
Phone: 81.3.3767.7011

PANDUIT LATIN AMERICA
Jalisco, Mexico
cs-la@panduit.com
Phone: 52.333.777.6000

PANDUIT AUSTRALIA PTY. LTD.
Victoria, Australia
cs-aus@panduit.com
Phone: 61.3.9794.9020

For a copy of PANDUIT product warranties, log on to www.panduit.com/warranty



For more information
Visit us at www.panduit.com
Contact Customer Service by email: cs@panduit.com
or by phone: 800-777-3300 and reference RKSP23

©2007 PANDUIT Corp.
ALL RIGHTS RESERVED.
Printed in the U.S.A.
WW-RKSP23
5/2007