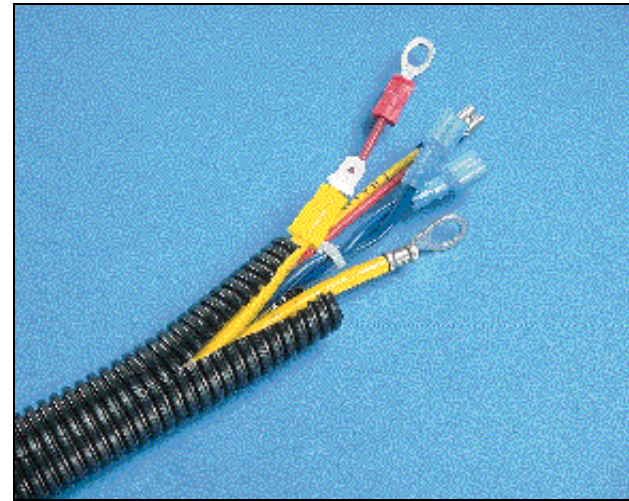


# Corrugated Loom Tubing



### APPLICATIONS

- Protect wires from abrasion
- Route and manage a variety of wires and cables, including fiber optic
- Bundle wires in control panels
- Contain and organize wire harnesses
- Route wires in automotive, truck, trailer, conversion van, recreational vehicle and marine industries

### FEATURES

- Impact and crush resistant
- Available in slit and solid wall design
- Available in standard colors of yellow and orange
- Available in polyethylene and heat stabilized nylon

### BENEFITS

- Provides excellent abrasion resistance
- Easy installation for applications with and without breakouts
- Useful for identification of fiber optic applications
- Can be used in many applications

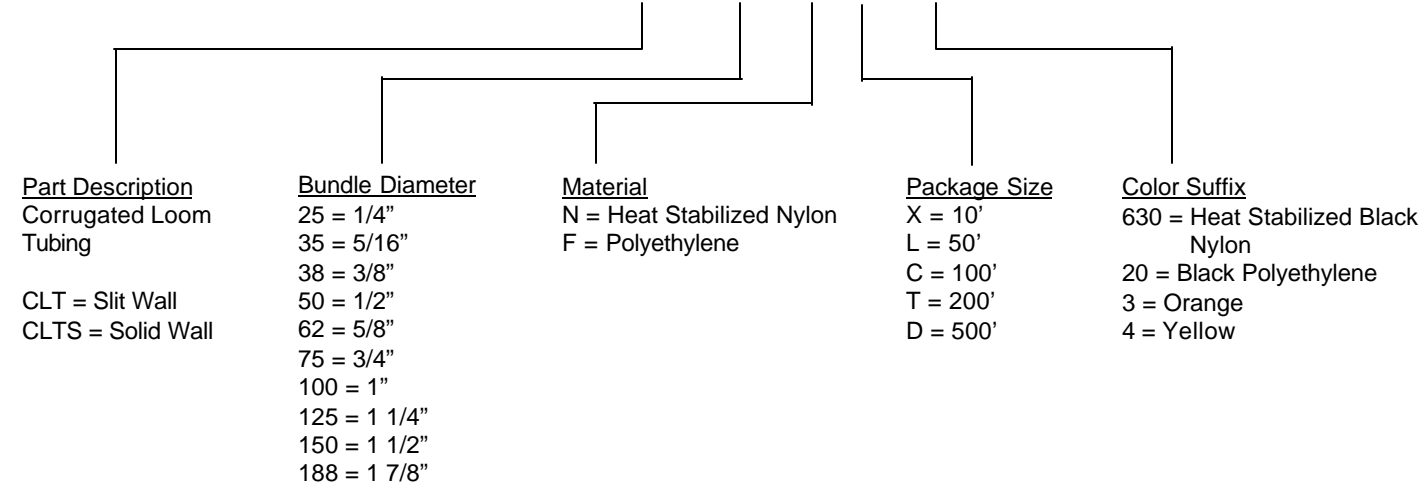
Abrasion Protection Materials Technical Data For Corrugated Loom Tubing	Ratings & Approvals		Physical Properties		Chemical Resistance				
	UL Temperature Index	Flammability (UL 94)	Melting Temperature	Specific Gravity (d792)	Minimum Tensile @ 23° C (psi)	Organic Solvents	Alkalies	Acids	Petro-Chemicals
	UL Temperature Index	Flammability (UL 94)	Melting Temperature	Specific Gravity (d792)	Minimum Tensile @ 23° C (psi)	Organic Solvents	Alkalies	Acids	Petro-Chemicals
<b>Black Polyethylene</b> Economic material suitable for continuous use at temperatures of -40° F (-40° C) to 176° F (80° C).	N/A	HB	266° F (130° C)	.926 .940	1529 (D638)	Excellent	Excellent	Excellent	Good
<b>Heat Stabilized Black Nylon</b> Nylon is a strong, durable, high abrasion resistant material for continuous use at temperatures of -40° F (-40° C) to 248° F (120° C).	N/A	HB	437° F (225° C)	1.06-1.16	10,000 (D638)	Excellent	Good	Fair	Good

NOTE: Typical operating temperature ranges are extended based on end use application and specific environmental tests.

# The Functional Part Number System Makes Ordering Easy

## Corrugated Loom Tubing Part Number Description

### Example: **CLT 100 N-C 630**



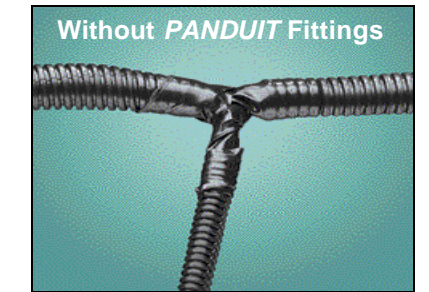
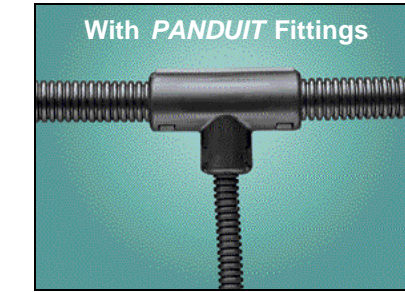
### Ordering Information - Corrugated Loom Tubing

PANDUIT® Part Number		Material	Color	Inside Diameter	Outside Diameter	Feet Per Pkg.	Pkg. Qty.*									
Slit	Solid															
CLT25F-C20 CLT35F-C20 CLT38F-C20 CLT50F-C20 CLT62F-C20 CLT75F-C20 CLT100F-C20 CLT125F-L20 CLT150F-X20 CLT150F-T20 CLT188F-X20 CLT188F-C20 CLT188F-6C20	CLTS25F-C CLTS35F-C CLTS38F-C CLTS50F-C CLTS62F-C CLTS75F-C CLTS100F-C CLTS125F-L ** ** CLTS150F-D ** **	Polyethylene	Black	.265" (6.7) .350" (8.9) .414" (10.5) .505" (12.8) .665" (16.9) .760" (19.3) .915" (23.2) 1.290" (32.8) 1.550" (39.1) 1.550" (39.1) 1.550" (39.1) 1.881" (47.8) 1.881" (47.8) 1.881" (47.8)	.390" (9.9) .500" (12.7) .556" (14.1) .670" (17.0) .830" (21.1) .935" (23.7) 1.090" (27.7) 1.500" (38.1) 1.860" (47.2) 1.860" (47.2) 1.860" (47.2) 2.169" (55.1) 2.169" (55.1) 2.169" (55.1)	100' 100' 100' 100' 100' 100' 100' 50' 10' 200' 500' 10' 100' 600'	1 Roll									
CLT25F-C3 CLT35F-C3 CLT38F-C3 CLT50F-C3 CLT62F-C3 CLT75F-C3 CLT100F-C3 CLT125F-C3 CLT150F-X3 CLT150F-T3 CLT150F-D3 CLT188F-X3 CLT188F-C3 CLT188F-6C3	CLTS25F-C3 CLTS35F-C3 CLTS38F-C3 CLTS50F-C3 CLTS62F-C3 CLTS75F-C3 CLTS100F-C3 CLTS125F-C3 ** ** CLTS150F-D3 ** **			Polyethylene	Orange	.265" (6.7) .350" (8.9) .414" (10.5) .505" (12.8) .665" (16.9) .760" (19.3) .915" (23.2) 1.290" (32.8) 1.550" (39.1) 1.550" (39.1) 1.550" (39.1) 1.881" (47.8) 1.881" (47.8) 1.881" (47.8)		.390" (9.9) .500" (12.7) .556" (14.1) .670" (17.0) .830" (21.1) .935" (23.7) 1.090" (27.7) 1.500" (38.1) 1.860" (47.2) 1.860" (47.2) 1.860" (47.2) 2.169" (55.1) 2.169" (55.1) 2.169" (55.1)	100' 100' 100' 100' 100' 100' 100' 50' 10' 200' 500' 10' 100' 600'	1 Roll						
CLT125F-L4 CLT150F-X4 CLT150F-T4 CLT150F-D4 CLT188F-X4 CLT188F-C4 CLT188F-6C4	** ** ** ** ** **					Polyethylene		Yellow	1.290" (32.8) 1.550" (39.1) 1.550" (39.1) 1.550" (39.1) 1.881" (47.8) 1.881" (47.8) 1.881" (47.8)		1.500" (38.1) 1.860" (47.2) 1.860" (47.2) 1.860" (47.2) 2.169" (55.1) 2.169" (55.1) 2.169" (55.1)	50' 10' 200' 500' 10' 100' 600'	1 Roll			
CLT25N-C630 CLT35N-C630 CLT38N-C630 CLT50N-C630 CLT62N-C630 CLT75N-C630 CLT100N-C630 CLT125N-L630 CLT150N-D630 CLT188N-6C630	CLTS25N-C CLTS35N-C CLTS38N-C CLTS50N-C CLTS62N-C CLTS75N-C CLTS100N-C CLTS125N-L CLTS150N-D **								Heat Stabilized Black Nylon		Black	.265" (6.7) .350" (8.9) .414" (10.5) .505" (12.8) .665" (16.9) .760" (19.3) .915" (23.2) 1.290" (32.8) 1.550" (39.1) 1.881" (47.8)		.390" (9.9) .500" (12.7) .556" (14.1) .670" (17.0) .830" (21.1) .935" (23.7) 1.090" (27.7) 1.500" (38.1) 1.860" (47.2) 2.169" (55.1)	100' 100' 100' 100' 100' 100' 100' 50' 500' 600'	1 Roll

\*Order number of rolls required.  
\*\*Contact factory for additional sizes, materials, colors, and bulk packaging.  
NOTE: Custom cut-to-length sizes are available upon request. Contact factory for details.



# Corrugated Loom Tubing Fittings

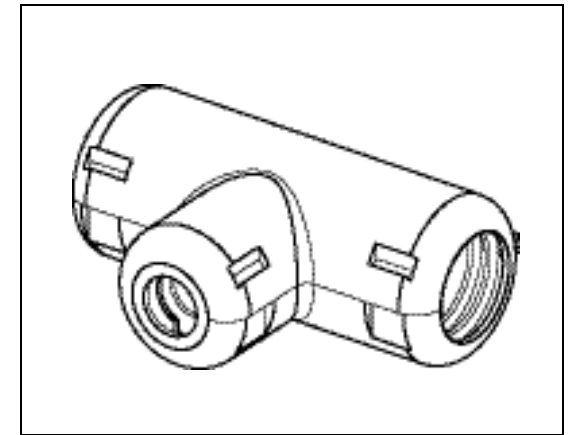
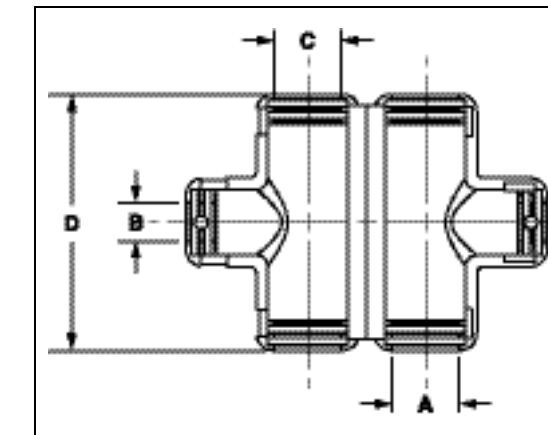


### FEATURES

- Fast assembly
- Virtually eliminates taping
- Easy to assemble
- Locking latch design
- Durable polyethylene shell
- Works with most popular sizes of Corrugated Loom Tubing

### BENEFITS

- Reduces production time
- Improves system appearance
- Reduces operator fatigue
- Secures fittings firmly in place
- Protects wires
- Provides easy selection of fittings for an application

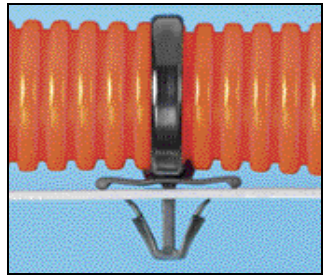


### Ordering Information - Corrugated Loom Tubing Fittings

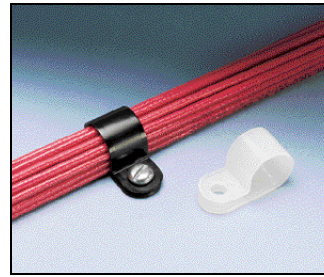
Part Number	A	B	C	D	Material	Color	Std. Pkg	Std. Ctn.
CF382538F-Q	.375	.250	.375	2.06	Polyethylene	Black	25	100
CF502550F-Q	.500	.250	.500	2.30	Polyethylene	Black	25	100
CF503850F-Q	.500	.375	.500	2.30	Polyethylene	Black	25	100
CF752575F-Q	.750	.250	.750	3.06	Polyethylene	Black	25	100
CF753875F-Q	.750	.375	.750	3.06	Polyethylene	Black	25	100



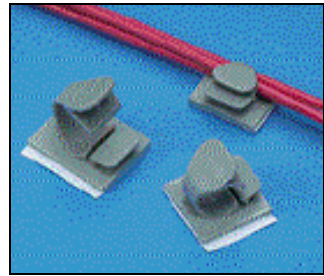
## Products for Specific Use with Corrugated Loom Tubing



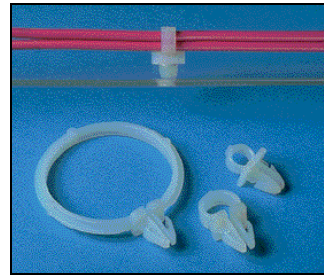
**PAN-TY®**  
Center Mounted  
Heat Stabilized  
Nylon 6.6 Wing  
Push Mount Ties  
(PLWP)



Fixed Diameter  
Cable Clamps  
(CCS, CCH)



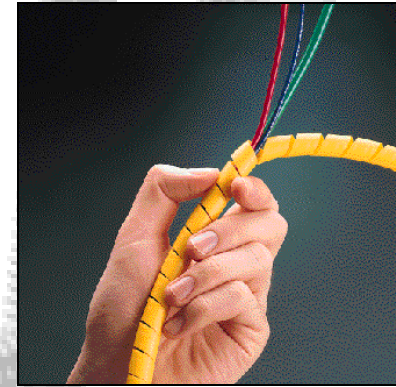
Latching Wire Clip  
Adhesive Backed  
Mounting Device  
(LWC)



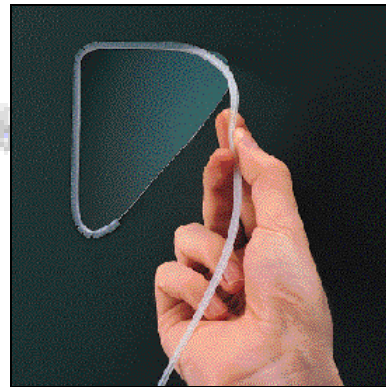
Snap-In Clips  
(SICH)

PANDUIT® Part #	Corrugated Loom Tubing
PLUP40SE-D30	Any Size Applies
PLWP40SD-D30	Any Size Applies
PLWP50SE-D30	Any Size Applies
LWC38-A-C	CLT25F-C20
LWC50-A-C	CLT38F-C20
LWC75-A-C	CLT50F-C20
LWC100-A-C	CLT100F-C20
SICH50-C	CLT25F-C20
SICH75-C	CLT50F-C20
SICH100-C	CLT75F-C20
SICH150-C	CLT125F-C20
CCS38-S8-C	CLT25F-C20
CCS50-S8-C	CLT38F-C20
CCH62-S10-C	CLT50F-C20
CCH75-S10-C	CLT50F-C20
CCH100-S10-C	CLT100F-C20
CCH125S10-C	CLT100F-L20
CCH150S10-C	CLT125F-D20

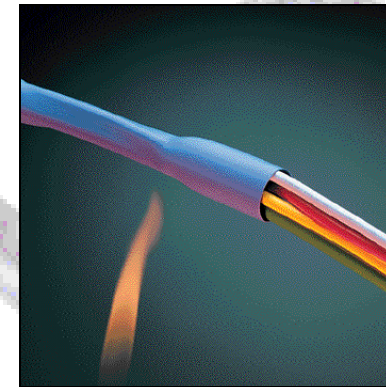
## Other Abrasion Protection Products From PANDUIT



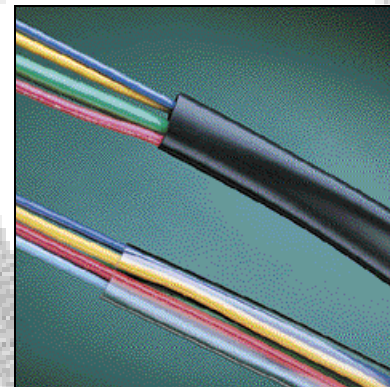
Spiral Wrap



Grommet Edging

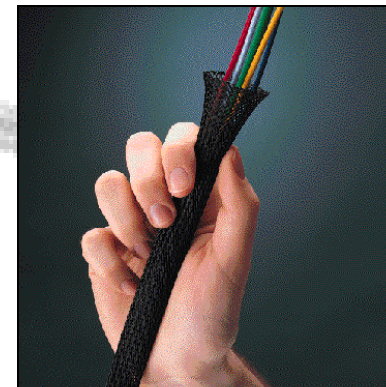


Heat Shrink  
Tubing



PVC Tubing

(Ask For Heat Shrink/Abrasion Protection Catalog SA101N48F-AIS)

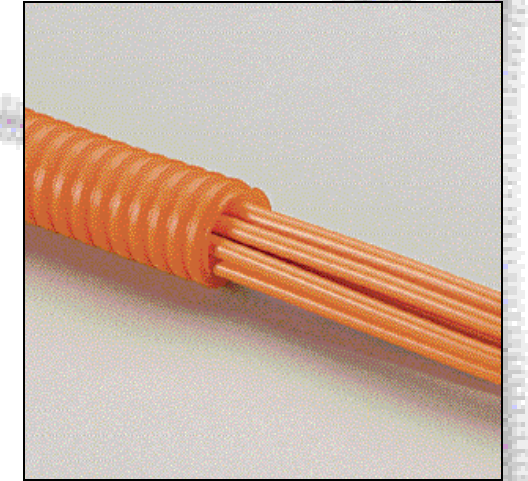
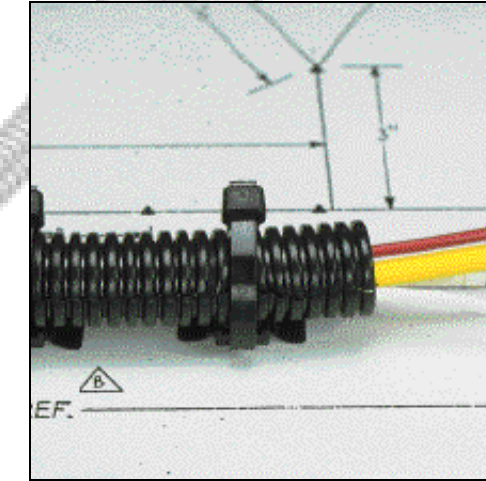


Braided Sleeving



PRODUCT BULLETIN

## Corrugated Loom Tubing and Fittings



PANDUIT® offers a full-line of Corrugated Loom Tubing and Fittings for wire harness and cable applications. Corrugated Loom Tubing (CLT) provides users with an economical solution that features efficient installation and complete abrasion protection. Available in heat stabilized nylon and polyethylene materials, CLT is suitable for a wide range of environments. It is also available in both slit and solid wall construction to facilitate easy installation in a variety of applications. PANDUIT's new line of Fittings provide a secure way to join CLT at junctions and breakouts while improving the appearance of wire harnesses.

Our products are warranted to be free from defects in material and workmanship at the time of sale but our obligation under this warranty is limited to the replacement of any product proven to be defective within 6 months (for product) or 90 days (for tools) from the date of delivery. Tool warranty is void if PANDUIT/Tools are modified, altered or misused in any way. Use of Panduit tooling with any product other than the specified Panduit products for which the tool was designed, constitutes misuse. Before using, user shall determine the suitability of the product for his intended use and user assumes all risk and liability whatsoever in connection therewith.



Panduit Corp.  
17301 Ridgeland Avenue  
Tinley Park, IL 60477-3091  
Phone: 800-777-3300  
Fax: 770-781-9076  
Email: info@panduit.com  
Website: www.panduit.com

Panduit Canada  
Div. of Panduit Corp.  
140 Amber Street  
Markham, Ontario L3R 3J8  
Phone: 800-387-9689  
Fax: 905-475-6998

WORLDWIDE SUBSIDIARIES AND SALES OFFICES

This warranty is made in lieu of and excludes all other warranties, expressed or implied. THE IMPLIED WARRANTIES OF MERCHANTABILITY AND FITNESS FOR A PARTICULAR USE ARE SPECIFICALLY EXCLUDED. Neither seller nor manufacturer shall be liable for any other injury, loss or damage, whether direct or consequential, arising out of the use of, or the inability to use, the product.

The information contained in this literature is based on our experience to date and is believed to be reliable. It is intended as a guide for use by persons having technical skill at their own discretion and risk. We do not guarantee favorable results or assume any liability in connection with its use. Dimensions contained herein are for reference purposes only. For specific dimensional requirements consult the factory. This publication is not to be taken as a license to operate under, or a recommendation to infringe any existing patents. This supersedes and voids all previous literature, etc.

For Pricing and Further Information -  
Contact your local  
PANDUIT Distributor or Sales Office

SA-WA04CB01D  
Printed in the U.S.A.

Copyright © 2001 Panduit Corp. All Rights Reserved.

