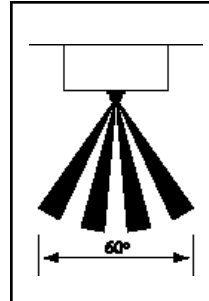


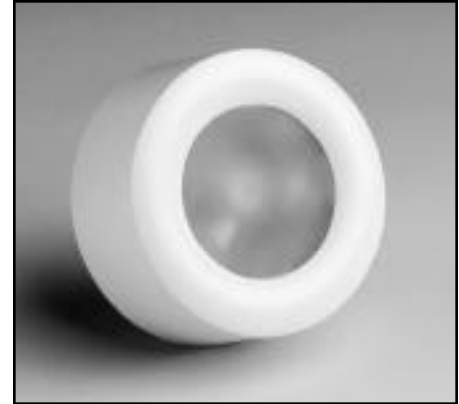
ODCOP Photocell

Application

Leviton's ODCOP Photocell is a sensor for monitoring light levels. In conjunction with other components as part of a Leviton Control Network (LCnet) lighting system, the ODCOP Photocell can be used to automatically adjust light levels to a user-defined level. The sensor is most suitable for installation in rooms with windows and in open spaces receiving substantial light from adjacent, indoor spaces.

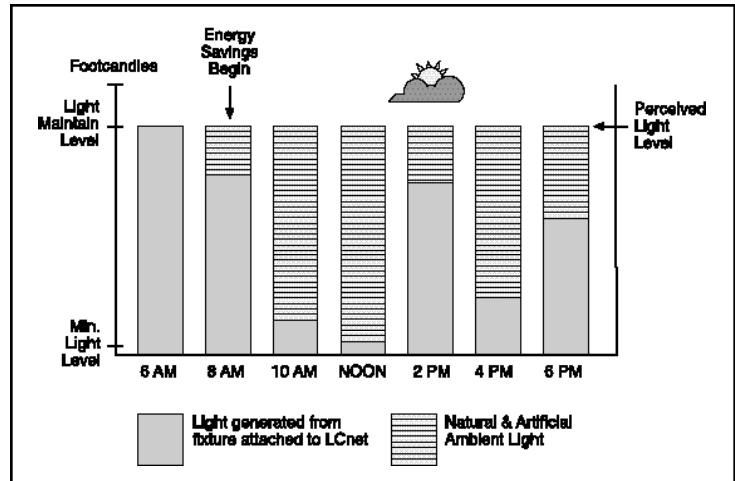


Field of View



Operation

The ODCOP Photocell must be hardwired to a compatible Leviton power pack—providing the photocell with power and enabling it to contribute to a Leviton lighting control system. The ODCOP measures ambient light in a specific area and sends this data to a Dimming Power Pack that, in turn, adjusts fixtures to a constant lighting level as measured in that specific area. The Leviton Photocell makes possible a feature called Daylight Harvesting in which lights in a room (with windows or significant, artificial ambient light) will automatically brighten or dim depending on how much light the photocell detects.

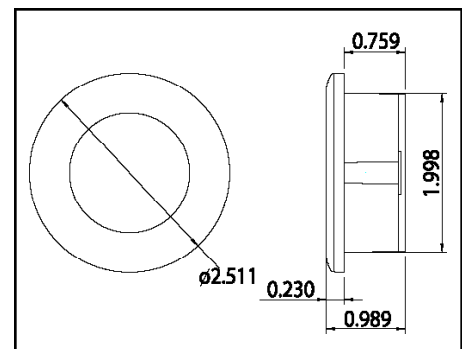


Daylight Harvesting

With Daylight Harvesting, ambient (often natural) light supplements in-room, artificial light in order to keep a constant lighting level while saving electricity. This constant level, called the Light Maintain Level, is programmed into a compatible power pack via a wall-mounted controller, specialized software, or handheld remote control. Once hardwired to the photocell, the power pack will receive the photocell's comprehensive light measurement and, when necessary, adjust its own output to keep the Light Maintain Level steady within the photocell's area of detection.

Rules of Operation

- Measured light level = Light Maintain Level → Output to lights remains constant
- Measured light level < Light Maintain Level → Lights are brightened
- Measured light level > Light Maintain Level → Lights are dimmed



SPECIFICATIONSUBMITTAL

JOB NAME:	CATALOG NUMBERS:		
<input type="text"/>	<input type="text"/>	<input type="text"/>	<input type="text"/>
JOB NUMBER:	<input type="text"/>	<input type="text"/>	<input type="text"/>

Product Specifications

ODCOP

Features and Benefits

- Constant lighting at the desired level for greater visual comfort, which contributes to improved productivity.
- Provides for ultra-convenient, hands-free lighting control.
- Lowers electric bills by reducing usage of lighting where ambient natural and/or artificial light are also present.
- Measures light from any source in the visible spectrum within a 60° cone.
- Provides continual measurements and reports back to Dimming Power Pack on LCnet. If ambient light fluctuates rapidly, power pack may average lighting adjustments over time to avoid over-frequent adjustments and provide more constant lighting.
- Mounts on ceiling.

INSTALLATION

Low Voltage Class 2 Wiring

- Connect directly to Dimming Power Pack.
- Use CAT5-type wiring

Placement

Install directly above workspace.

Specifications

Electrical

Input Voltage: 24VDC
 Input Current: 10mA
 Power Consumption: 1W
 Light Sensitivity: 0 to 70 footcandles
 Output Voltage: 0 to 10VDC
 Testing/Code Compliance: UL Listed, CSA Certified, and California Title 24

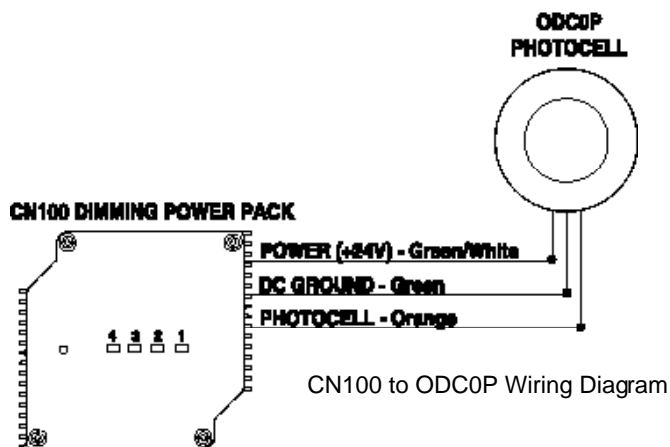
Physical

Diameter: 2.51 in. (6.4cm)
 Depth: 0.99 in. (2.5cm)
 Color: White

Environmental

Operating Temperature Range: 0°C to +55°C
 Storage Temperature Range: -10°C to +85°C
 Relative Humidity: 20% to 90% non-condensing

Warranty: Limited 5-Year Warranty



Leviton's Limited Five-Year Warranty

This warranty gives you specific rights and you may also have other rights, which vary in different states and countries. Leviton warrants to the original consumer purchaser that this product is free of defects in materials and workmanship for 5 years from the purchase date. Leviton's only obligation is to correct such defects by repair or replacement, at its option, if within such 5 years the product is returned prepaid, with proof of purchase date, and a description of the problem to the Leviton Manufacturing Co., Inc., ATTN: Quality Assurance Department, 59-25 Little Neck Pkwy., Little Neck, NY 11362-2591. This warranty does not cover labor for removal or reinstallation of the product and is void on any product installed improperly or in an improper environment, overloaded, misused, opened, abused, or altered in any manner. There are no implied warranties of any kind, but if implied warranties are required by the applicable jurisdiction, Leviton limits the duration of any implied warranty of fitness for use or merchantability to 5 years. Leviton is not liable for incidental or consequential damages, including without limitation, loss of equipment use and lost sales or profits for breach of any warranty on this product. Some jurisdictions may not allow exclusion of or limitations on how long an implied warranty lasts or the exclusion or limitation of incidental or consequential damages, so the above exclusions or limitations may not even apply to you.

LEVITON SPECIFICATIONS SUBMITTAL

JOB NAME: <input type="text"/>	CATALOG NUMBERS: <input type="text"/>
JOB NUMBER: <input type="text"/>	<input type="text"/>



Leviton Mfg. Co., Inc.
 59-25 Little Neck Pkwy • Little Neck, NY 11362-2591 • Tech Line: 1-800-824-3005 • Fax: 1-800-832-9538

Visit our Website at: www.leviton.com

