

# C-303™ 5-Pin Gas Tube Protector Modules

An Evolant™ Solutions Product

Corning  
Cable Systems

## Description

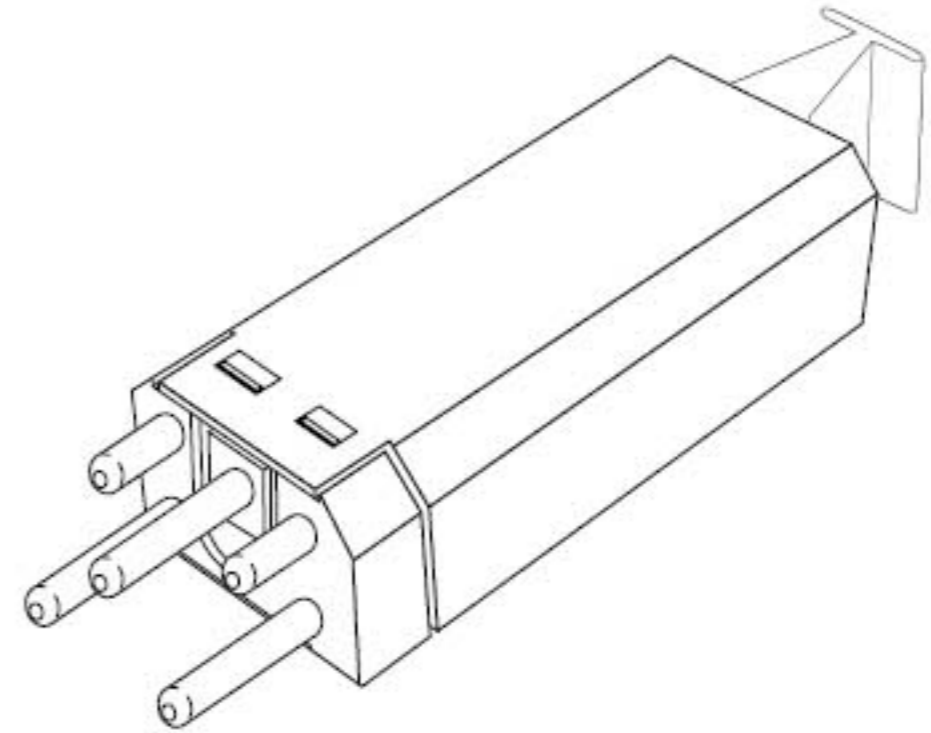
Corning Cable Systems C-303 Five-Pin Protector Modules provide protection in a 5-pin type protector for use in central office connector, remote and building entrance terminal applications. The housings are made of colored self-extinguishing insulating material. The protector modules have five contact pins. When inserted into the connector sockets, contact pins provide the following connections for each cable pair:

- tip and ring to the outside cable
- tip and ring to the central office equipment
- protection ground that also acts as a polarization pin

Protector modules are available with tin alloy- or gold-plated outside plant and central office pins; the grounding pin is always tin alloy-plated.

- Protector modules with gold-plated pins are intended to be used in connectors with gold-plated protector receptacles
- Tin alloy-plated pins should be used when the protector receptacles are tin alloy-plated

When the protector modules are fully inserted into the connector base, the outside plant and the central office pairs are connected together. Fast and easy disconnect of the central office pairs from the outside plant pairs is accomplished by pulling the fully inserted protector out to the “detent” position. Protection is still provided on the outside plant cable pairs.



5-Pin Gas Tube Protector Module | Drawing ZA-1109

## Features / Benefits

- 2- or 3-electrode design
- Low capacitance
- Broadband compatible (ADSL, VDSL)
- Fail-safe
- UL-listed
- Telcordia 1361
- Complies with RUS PE-80

